

# VB-M641V & VB-M640V



## Keep every angle covered

These 1.3 MP IK10 vandal resistant compact indoor dome cameras feature a bright f/1.2-1.8 IR corrected Super-UD lens with an ultra wide 111.5° angle of view for high quality imaging day or night.



With recessed mount kit



- Compact, indoor, vandal-resistant domes with 1.3 MP high sensitivity CMOS sensor for high quality imaging
- Bright f/1.2-1.8 IR Corrected 2.4x zoom Super-UD lens with ultra wide 111.5° angle of view and superb low light performance
- Installation is easy thanks to remote PTRZ set up mechanism and cable connectors
- Improved bandwidth control and easy setting of area specific image quality with ADSR technology
- Industry leading range of inbuilt analytics functions enhanced with the addition of Intruder and Scream detection

### Product Range

**VB-M641V**  
**VB-M640V**  
VB-H630D  
VB-M620D



(Scream Detection & Linked Events - VB-M641V only)

# VB-M641V & VB-M640V

## Technical Specifications

	VB-M641V	VB-M640V
<b>CAMERA</b>		
<b>Image Sensor</b>	1/3 type CMOS (primary color filter)	
<b>Number of Effective Pixels</b>	Approx. 1.3 million pixels	
<b>Scanning Method</b>	Progressive	
<b>Lens</b>	2.4 optical zoom (4x digital zoom) lens (electric drive)	
<b>Focal Length</b>	2.55 (W) - 6.12 mm (T)	
<b>F-number</b>	F1.2 (W) - F1.8 (T)	
<b>Viewing Angle</b>	<b>For 16:9 aspect ratios:</b> Horizontal: 111.5° (W) - 46.2° (T) Vertical: 60.5° (W) - 25.9° (T) <b>For 4:3 aspect ratios</b> Horizontal: 111.5° (W) - 46.2° (T) Vertical: 81.7° (W) - 34.6° (T)	
<b>Day/Night Switch</b>	Auto/Manual	
<b>Min. Subject Illumination</b>	<b>(F1.2, shutter speed 1/30 sec., when smart shade control is off, 50IRE)</b> Day Mode (colour): 0.02 lux Night Mode (mono): 0.001 lux  When using the Dome Unit (Smoked) (sold separately) Day Mode (colour): 0.04 lux Night Mode (mono): 0.002 lux	
<b>Focus</b>	Auto/One-shot AF/Manual/Fixed at infinity	
<b>Shooting Distance (from front of lens)</b>	Day Mode: 0.3 m (12 in.) - infinity Night Mode: 0.3 m (12 in.) - infinity	
<b>Shutter Speed</b>	1, 1/2, 1/4, 1/8, 1/15, 1/30, 1/60, 1/100, 1/120, 1/250, 1/500, 1/1000, 1/2000, 1/4000, 1/8000, 1/10000, 1/16000 sec.	
<b>Exposure</b>	Auto / Auto (Flickerless) / Auto (Shutter-priority AE) / Manual (Shutter Speed, Aperture, Gain)	
<b>White Balance</b>	Auto / Light Source/Manual Light Source: Daylight Fluorescent / White Fluorescent / Warm Fluorescent / Mercury Lamp / Sodium Lamp / Halogen Lamp Manual: One-shot WB / R Gain / B Gain	
<b>Metering Mode</b>	Center-Weighted / Average / Spot	
<b>Exposure Compensation</b>	9 levels	
<b>Smart Shade Control</b>	Auto / Manual / Disable Auto: 3 levels Manual: 7 levels - Brightens shaded areas of a video	
<b>Haze Compensation</b>	Auto/Manual / Disable Auto: 3 levels Manual: 7 levels	
<b>AGC Limit</b>	6 levels	
<b>Image Stabilizer</b>	2 levels (digital)	
<b>Pan Angle Range</b>	350° (±175°)	
<b>Tilt Angle Range</b>	150° (±75°)	
<b>Rotation Angle Range</b>	350° (±175°)	
<b>Moving Speed</b>	Pan: 20.1°/sec. Tilt: 20.7°/sec. Rotation: 40.0°/sec. - When Using Camera Angle Setting Tool	
<b>SERVER</b>		
<b>Video Compression Method</b>	JPEG, H.264	
<b>Video Size</b>	JPEG, H.264: 1280 x 720, 640 x 360, 320 x 180 1280 x 960, 640 x 480, 320 x 240	
<b>Video Quality</b>	JPEG, H.264: 10 levels	
<b>Frame Rate</b>	JPEG: 0.1 - 30 fps H.264: 1 / 2 / 3 / 5 / 6 / 10 / 15 / 30 fps  - Values represent streaming performance from the camera. - The frame rate may be reduced due to Viewer computer's specs, the number of clients accessing at the same time, network loads, video quality setting, type or movement of the subject or other reasons.  Maximum frame rate when used in the following combinations: When streaming H.264(1) (1280 x 720) and H.264(2) (1280 x 720) simultaneously: 15 fps When streaming H.264(1) (1280 x 960) and H.264(2) (1280 x 960) simultaneously: 15 fps	
<b>I-Frame Interval</b>	0.5 / 1 / 1.5 / 2 / 3 / 4 / 5 sec.	
<b>Simultaneous Client Access</b>	Max. 30 Clients + 1 Admin Client - H.264: Max. 10 Clients	
<b>Bit Rate Control</b>	Target Bit Rate: 64 / 128 / 256 / 384 / 512 / 768 / 1024 / 2048 / 3072 / 4096 / 6144 / 8192 / 10240 / 12288 / 14336 / 16384 kbps	
<b>ADSR: Area-specific Data Size Reduction</b>	Number of Specified Areas: Max. 8 areas	

	VB-M641V	VB-M640V
<b>Security</b>	Camera Control: Administrator, Authorized user, Guest user (level of control varies depending on user) Access Control: User authority (user name and password), Host Access Restrictions (IPv4, IPv6) IEEE802.IX: EAP-MD5, EAP-TLS, EAP-TTLS, EAP-PEAP Encrypted Communications: SSL/TLS, IPsec	
<b>Protocol</b>	IPv4:TCP/IP, UDP, HTTP, FTP, SNMP (MIB2), SMTP (Client), DHCP (Client), DNS (Client), mDNS, ARP, ICMP, POP3 (Client), NTP (Client), SMTP authentication (POP before SMTP, SMTP-AUTH), AutoIP, RTP/RTCP, RTSP, SSL/TLS, IPsec, WV-HTTP (Canon proprietary), ONVIF (Profile S, Profile G)  IPv6: TCP/IP, UDP, HTTP, FTP, SMTP (Client), DHCPv6 (Client), DNS (Client), mDNS, ICMPv6, POP3 (Client), NTP (Client), SMTP authentication (POP before SMTP, SMTP-AUTH), RTP/RTCP, RTSP, SSL/TLS, IPsec, WV-HTTP (Canon proprietary), ONVIF (Profile S, Profile G)	
<b>Audio Compression Method</b>	6.711 μ-law (64 kbps)	-
<b>Audio Communication Method</b>	Full-duplex (two-way) - Echo cancellation function compliant RTP, Sound Transfer Protocol by Canon	-
<b>Audio File Playback</b>	Available (audio files can be played back when an event is triggered by the intelligent function or external device input.) - A third-party amplifier speaker is necessary	-
<b>Privacy Mask</b>	Number of registration: Max. 8 places, Number of mask colors: 1 (select from 9 colors)	
<b>Preset</b>	Number of registers: Max. 20 positions (+Home Position) Items to Reg.: Digital Pan / Digital Tilt / Digital Zoom, Exposure, Smart Shade Control, Focus, White Balance, Video Quality Adjustment, Day / Night, Haze Compensation Number of Preset Tour Route: Max. 1	
<b>Intelligent Function (Video)</b>	Detection Types: Moving Object Detection, Abandoned Object Detection, Removed Object Detection, Camera Tampering Detection, Passing Detection, Intrusion Detection Detection Settings: Max. 15	
<b>Intelligent Function (Audio)</b>	Volume Detection, Scream Detection	-
<b>Event Trigger Type</b>	External Device Input, Intelligent Function (Video), Intelligent Function (Audio), Timer, Day / Night Switch Number of Linked Events: 2 Linked Event Conditions: AND, OR (whether or not there is a sequence to events)	Intelligent Function (Video), Timer, Day/Night Switch
<b>Image Upload</b>	FTP/HTTP/SMTP (e-mail)	
<b>Event Notification</b>	HTTP/SMTP (e-mail)	
<b>Image Cropping Function</b>	Digital PTZ Cropping sizes: 640 x 360 / 512 x 288 / 384 x 216 / 256 x 144 / 128 x 72 640 x 480 / 512 x 384 / 384 x 288 / 256 x 192 / 128 x 96	
<b>On-Screen Display</b>	Available	
<b>Daylight Saving Time</b>	Available	
<b>APPLICATION</b>		
<b>Viewer</b>	Camera-side: Admin Viewer VB Viewer Client-side: RM-Lite Viewer	
<b>Admin Tools</b>	Privacy Mask Setting Tool Intelligent Function Setting Tool Log Viewer Recorded Video Utility	
<b>Included Software</b>	Camera Management Tool Camera Angle Setting Tool RM-Lite Proxy Authentication Admin Tools / Admin Viewer	
<b>Language</b>	German / English / Spanish / French / Italian / Russian / Turkish / Chinese (Simplified) / Japanese	
<b>Operating Environment (PC specifications and OS (does not apply to RM-Lite))</b>	<b>OS:</b> Windows Vista Ultimate / Business / Enterprise / Home Premium SP2 32/64-bit  <b>Operating System Language:</b> German / English / Spanish / French / Italian / Russian / Turkish / Chinese (Simplified) / Japanese - Language switching environment using language-packs is not supported  <b>Compatible Browser:</b> Internet Explorer 8/9 32-bit Internet Explorer 10/11 - Must be configured to allow use of JavaScript, XAML browser applications, and IFRAME (html tag). - For VB Viewer only, cookies must be enable	

# VB-M641V & VB-M640V

## Technical Specifications

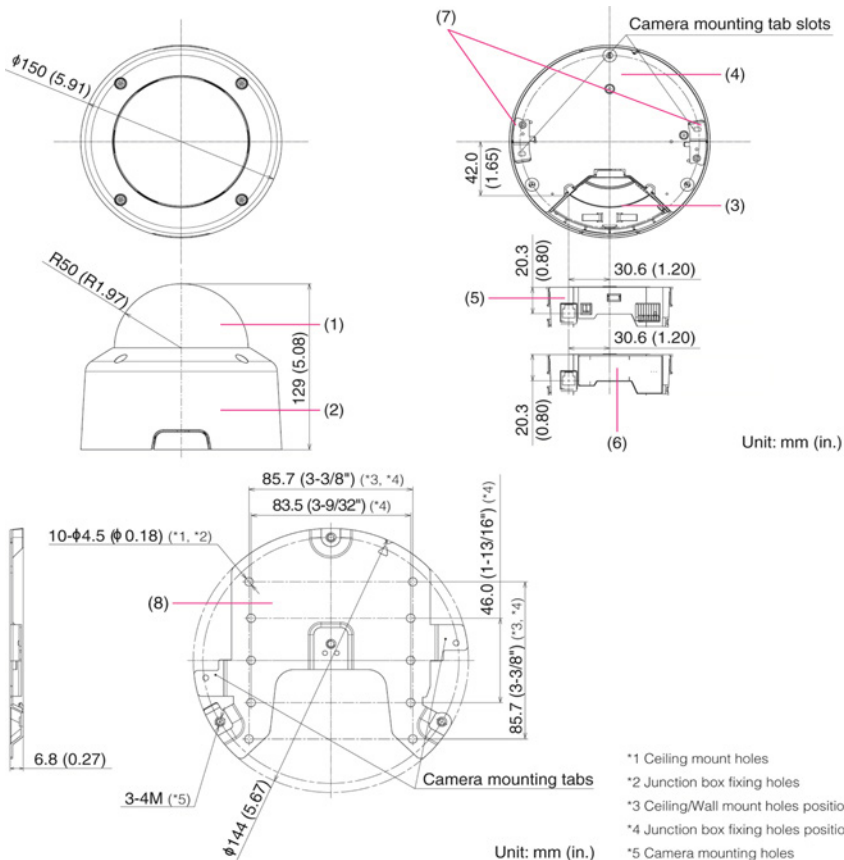
	VB-M641V	VB-M640V
	<b>Software (Runtime Libraries)</b> .NET Framework 3.5 SP1 (When using Internet Explorer 8/9) - Must be installed on Windows Vista and Windows Server 2008 systems  .NET Framework 4.5 (When using Internet Explorer 10/11) - Must be installed on Windows 7 and Windows Server 2008 R2 systems  <b>CPU (Recommended)</b> Intel Core i7-2600 or higher  <b>Graphics Board (Recommended)</b> Not specified  <b>Memory (Recommended)</b> 2 GB or higher  <b>Viewer Display (Recommended)</b> 1920 x 1080 or higher	
<b>INTERFACE</b>		
<b>Network Terminal</b>	LAN x 1 (RJ45, 100Base-TX (auto / full-duplex / half-duplex))	
<b>Audio Input Terminal (common for LINE IN &amp; MIC IN)</b>	φ3.5 mm (φ0.14 in.) mini-jack connector (monaural) LINE IN (connect to an amplifier microphone) or MIC IN (connect to a microphone w/o amplifier) - Switch LINE IN / MIC IN in the setting page.  Use the included interface cable	-
<b>Audio Output Terminal (LINE OUT)</b>	φ3.5 mm (φ0.14 in.) mini-jack connector (monaural) LINE OUT (connect to an amplifier speaker)  Use the included interface cable	-

	VB-M641V	VB-M640V
<b>External Device I/O Terminal</b>	Input x 2, Output x 2	-
<b>Memory Card</b>	microSD Memory Card, microSDHC Memory Card, microSDXC Memory Card Compatible. Recorded Content: Log, Video (Event, Manual, ONVIF, Timer, Upload) Frame Rate: Max. 1 fps (JPEG) Max. 30 fps (H.264)	
<b>OTHER</b>		
<b>Operating Environment</b>	Temperature AC, DC, PoE: -10°C - +50°C (+14°F - +122°F)  Humidity 5% - 85% (without condensation)	
<b>Power Supply</b>	PoE: PoE power supply via LAN connector (IEEE802.3at Type 1 compliant) AC Adapter: PA-V18 (100 - 240 V AC) (sold separately) External power source: 24 V AC/12 V DC	PoE: PoE power supply via LAN connector (IEEE802.3at Type1 compliant)
<b>Power Consumption</b>	PoE: Max. approx. 8.4 W AC Adapter PA-V18: Max. approx. 9.8 W (100 V AC) Max. approx. 9.8 W (240 V AC) DC: Max. approx. 8.7 W AC: Max. approx. 8.1 W	PoE: Max. approx. 8.4 W
<b>Dimensions</b>	(φ x H) φ150 x 129 mm (φ5.91 x 5.08 in.) - Camera only (excluding Ceiling Plate)	
<b>Weight</b>	Approx. 910 g (2.01 lb.)	Approx. 900 g (1.99 lb.)
<b>Impact Resistance</b>	IK10 (20J)	

### What's in the box?

- Setup CD-ROM
- Ceiling Plate
- Fixing Screws
- Safety Wire & Fixing Screw
- Wrench
- Template
- Power Connector
- Audio Interface Cable
- Installation Guide
- Warranty Card
- Leaflet of Warranty Card
- Packaging

### Dimensions



- \*1 Ceiling mount holes
- \*2 Junction box fixing holes
- \*3 Ceiling/Wall mount holes position
- \*4 Junction box fixing holes position
- \*5 Camera mounting holes

### Compatible Accessories

