

VB-R11VE & VB-R10VE

Keep every outdoor angle covered

Ideal for demanding outdoor applications these 1.3 MP continuous 360° PTZ cameras with 30x zoom offers fast and accurate monitoring and excellent tracking in both low light and harsh environmental conditions.



With ceiling mount kit



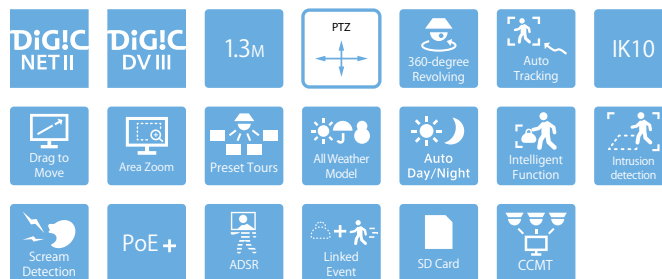
With wall mount kit



- 1.3 MP outdoor PTZ cameras with continuous 360° panning and Auto-Flip for easy tracking of subjects
- Excellent low light performance, near or far, with f/1.4-4.6, 30x High-UD zoom lens and a wide 58.4° angle of view
- Precision monitoring with a fast, accurate 450° per second Pan / Tilt mechanism and intelligent detection functions
- Fully outdoor-ready, with IK10 vandal resistance plus extensive weatherproofing and added environmental protection
- Reliable start up at -30° and operation in extremely cold environments as low as -50°C

Product Range

VB-R11VE
VB-R10VE
VB-R11



(Scream Detection & Linked Events - VB-R11VE only)

VB-R11VE & VB-R10VE

Technical Specifications

	VB-R11VE	VB-R10VE
CAMERA		
Image Sensor	1/3 type CMOS (primary color filter)	
Number of Effective Pixels	Approx. 1.3 million pixels	
Scanning Method	Progressive	
Lens	30x optical zoom (20x digital zoom) lens with auto focus	
Focal Length	4.4 (W) - 132 mm (T) ¹⁾	
F-number	F1.4 (W) - F4.6 (T)	
Viewing Angle	For 16:9 aspect ratios: Horizontal: 58.4° (W) - 2.1° (T) Vertical: 34.1° (W) - 1.2° (T) For 4:3 aspect ratios: Horizontal: 58.4° (W) - 2.1° (T) Vertical: 45.0° (W) - 1.6° (T)	
Day/Night Switch	Auto/Manual	
Min. Subject Illumination	(F1.4, shutter speed 1/30 sec., when smart shade control is off, 50IRE) Day Mode (colour): 0.03 lux Night Mode (mono): 0.002 lux When using the Dome Unit (Smoked) (sold separately) Day Mode (colour): 0.06 lux Night Mode (mono): 0.004 lux	
Focus	Auto / One-shot AF / Manual / Fixed at infinity	
Shooting Distance (from front of lens)	Day Mode: 0.3 m (12 in.) - infinity (W), 2.0 m (6.6 ft.) - infinity (T) Night Mode: 1.0 m (3.3 ft.) - infinity (W), 2.0 m (6.6 ft.) - infinity (T)	
Shutter Speed	1, 1/2, 1/4, 1/8, 1/15, 1/30, 1/60, 1/100, 1/120, 1/250, 1/500, 1/1000, 1/2000, 1/4000, 1/8000, 1/10000, 1/16000 sec.	
Exposure	Auto / Auto (Flickerless) / Auto (Shutter-priority AE) / Manual (Shutter Speed, Aperture, Gain)	
White Balance	Auto / Light Source / Manual Light Source: Daylight Fluorescent / White Fluorescent / Warm Fluorescent / Mercury Lamp / Sodium Lamp / Halogen Lamp Manual: One-shot WB / R Gain / B Gain	
Metering Mode	Center-Weighted / Average / Spot	
Exposure Compensation	9 levels	
Smart Shade Control	Auto / Manual / Disable Auto: 3 levels Manual: 7 levels - Brightens shaded areas of a video	
Haze Compensation	Auto / Manual / Disable Auto: 3 levels Manual: 7 levels	
AGC Limit	6 levels	
Image Stabilizer	2 levels (digital)	
Pan Angle Range	360° continuous panning	
Tilt Angle Range	180° (ceiling-mounted position: 0° - 180°) - When the horizontal direction of the camera is 0°	
Moving Speed	Pan: Max. 450°/sec. Tilt: Max. 450°/sec.	
SERVER		
Video Compression Method	JPEG, H.264	
Video Size	JPEG, H.264: 1280 x 720, 640 x 360, 320 x 180 1280 x 960, 640 x 480, 320 x 240	
Video Quality	JPEG, H.264: 10 levels	
Frame Rate	JPEG: 0.1 - 30 fps H.264: 1/2/3/5/6/10/15/30 fps - Values represent streaming performance from the camera. - The frame rate may be reduced due to Viewer computer's specs, the number of clients accessing at the same time, network loads, video quality setting, type or movement of the subject or other reasons. Maximum frame rate when used in the following combinations: When streaming H.264(1) (1280 x 720) and H.264(2) (1280 x 720) simultaneously: 15 fps When streaming H.264(1) (1280 x 960) and H.264(2) (1280 x 960) simultaneously: 15 fps	
I-Frame Interval	0.5/1/1.5/2/3/4/5 sec.	
Simultaneous Client Access	Max. 30 Clients + 1 Admin Client - H.264: Max. 10 Clients	
Bit Rate Control	Target Bit Rate: 64 / 128 / 256 / 384 / 512 / 768 / 1024 / 2048 / 3072 / 4096 / 6144 / 8192 / 10240 / 12288 / 14336 / 16384 kbps	
ADSR: Area-specific Data Size Reduction	Number of Specified Areas: Max. 8 areas	
Security	Camera Control: Administrator, Authorized user, Guest user (level of control varies depending on user) Access Control: User authority (user name and password), Host Access Restrictions (IPv4, IPv6) IEEE802.1X: EAP-MD5, EAP-TLS, EAP-TTLS, EAP-PEAP Encrypted Communications: SSL/TLS, IPsec	

	VB-R11VE	VB-R10VE
Protocol	IPv4: TCP/IP, UDP, HTTP, FTP, SNMP (MIB2), SMTP (Client), DHCP (Client), DNS (Client), mDNS, ARP, ICMP, POP3 (Client), NTP (Client), SMTP authentication (POP before SMTP, SMTP-AUTH), AutoIP, RTP/RTCP, RTSP, SSL/TLS, IPsec, WV-HTTP (Canon proprietary), ONVIF (Profile S, Profile G) IPv6: TCP/IP, UDP, HTTP, FTP, SMTP (Client), DHCPv6 (Client), DNS (Client), mDNS, ICMPv6, POP3 (Client), NTP (Client), SMTP authentication (POP before SMTP, SMTP-AUTH), RTP/RTCP, RTSP, SSL/TLS, IPsec, WV-HTTP (Canon proprietary), ONVIF (Profile S, Profile G)	
Audio Compression Method	G.711 µ-law (64 kbps)	-
Audio Communication Method	Full-duplex (two-way) - Echo cancellation function compliant RTP, Sound Transfer Protocol by Canon	-
Audio File Playback	Available (audio files can be played back when an event is triggered by the intelligent function or external device input) - A third-party amplifier speaker is necessary	-
Privacy Mask	Number of registration: Max. 8 places, Number of mask colors: 1 (select from 9 colors)	
View Restriction	Available	
Presets	Number of registers: Max. 256 positions (+Home Position) Items to Reg.: Pan / Tilt / Zoom, Exposure, Smart Shade Control, Focus, White Balance, Video Quality Adjustment, Day / Night, Haze Compensation Number of Preset Tour Route: Max. 5	
Intelligent Function (Video)	Detection Types: Moving Object Detection, Abandoned Object Detection, Removed Object Detection, Camera Tampering Detection, Passing Detection, Intrusion Detection, and Auto Tracking Detection Settings: Max. 15	
Intelligent Function (Audio)	Volume Detection, Scream Detection	
Event Trigger Type	External Device Input, Intelligent Function (Video), Intelligent Function (Audio), Timer, Day / Night Switch Number of Linked Events: 2 Linked Event Conditions: AND, OR (whether or not there is a sequence to events)	Intelligent Function (Video), Timer, Day / Night Switch
Image Upload	FTP/HTTP/SMTP (e-mail)	
Event Notification	HTTP/SMTP (e-mail)	
On-Screen Display	Available	
Daylight Saving Time	Available	
APPLICATION		
Viewer	Camera-side: Admin Viewer VB Viewer Client-side: RM-Lite Viewer	
Admin Tools	Privacy Mask Setting Tool Panorama Creation Tool View Restriction Setting Tool Intelligent Function Setting Tool Log Viewer Recorded Video Utility	
Included Software	Camera Management Tool RM-Lite Proxy Authentication Admin Tools / Admin Viewer	
Language	German / English / Spanish / French / Italian / Russian / Turkish / Chinese (Simplified) / Japanese	
Operating Environment (PC specifications and OS (does not apply to RM-Lite))	OS: Windows Vista Ultimate / Business / Enterprise / Home Premium SP2 32/64-bit Operating System Language: German / English / Spanish / French / Italian / Russian / Turkish / Chinese (Simplified) / Japanese - Language switching environment using language-packs is not supported Compatible Browser: Internet Explorer 8/9 32-bit Internet Explorer 10/11 - Must be configured to allow use of JavaScript, XAML browser applications, and IFRAME (html tag). - For VB Viewer only, cookies must be enable Software (Runtime Libraries) .NET Framework 3.5 SP1 (When using Internet Explorer 8/9) - Must be installed on Windows Vista and Windows Server 2008 systems .NET Framework 4.5 (When using Internet Explorer 10/11) - Must be installed on Windows 7 and Windows Server 2008 R2 systems CPU (Recommended) Intel Core i7-2600 or higher Graphics Board (Recommended) Not specified Memory (Recommended) 2 GB or higher Viewer Display (Recommended) 1920 x 1080 or higher	

VB-R11VE & VB-R10VE

Technical Specifications

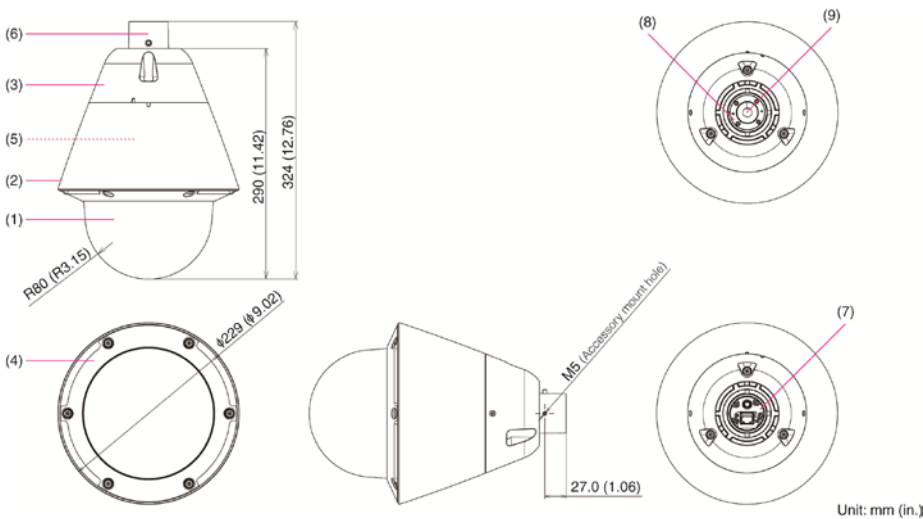
	VB-R11VE	VB-R10VE
INTERFACE		
Network Terminal	LAN x 1 (RJ45, 100Base-TX (auto / full-duplex / half-duplex))	
Audio Input Terminal (common for LINE IN & MIC IN)	φ3.5 mm (φ0.14 in.) mini-jack connector (monaural) LINE IN (connect to an amplifier microphone) or MIC IN (connect to a microphone w/o amplifier) - Switch LINE IN / MIC IN in the setting page.	—
Audio Output Terminal (LINE OUT)	φ3.5 mm (φ0.14 in.) mini-jack connector (monaural) LINE OUT (connect to an amplifier speaker)	—
External Device I/O Terminal	Input x 2, Output x 2	—
Memory Card	SD Memory Card, SDHC Memory Card, SDXC Memory Card Compatible. Recorded Content: Log, Video (Event, Manual, ONVIF, Timer, Upload) Frame Rate: Max. 1 fps (JPEG) Max. 30 fps (H.264)	

	VB-R11VE	VB-R10VE
OTHER		
Operating Environment	Temperature Operating Temperature Range (including direct sun exposure) AC: -50°C - +55°C (-58°F - +131°F) PoE+: -35°C - +55°C (-31°F - +131°F) DC, PoE: -10°C - +55°C (+14°F - +131°F) Start-up Temperature Range (including direct sun exposure) AC, PoE+: -30°C - +55°C (-22°F - +131°F) DC, PoE: -10°C - +55°C (+14°F - +131°F)	
	Humidity 5% - 85% (without condensation)	
Power Supply	PoE: PoE+ power supply via LAN connector (IEEE802.3at Type2 compliant) AC Adapter: PA-V18 (100 - 240 V AC) (sold separately) External power source: 24 V AC/12 V DC	
Power Consumption	PoE+: Max. approx. 20.8 W PoE: Max. approx. 10.1 W AC Adapter PA-V18: Max. approx. 12.7 W (100 V AC) Max. approx. 12.8 W (240 V AC) DC: Max. approx. 11.0 W AC: Max. approx. 33.2 W	
Dimensions	(φ x H) φ229 x 324 mm (φ9.02 x 12.76 in.) - Camera only	(φ x H) φ229 x 324 mm (φ9.02 x 12.76 in.) - Camera only (excluding connector height)
Weight	Approx. 3530 g (7.79 lb.)	Approx. 3420 g (7.54 lb.)
Impact Resistance	IK10 (20J)	
Dust-resistant/Waterproof Specification	IP66 rated NEMA Type 4X, IEC 60950-1/22	

What's in the box?

- Setup CD-ROM
- Power Interface Cable
- I/O Interface Cable
- Wrench
- Installation Guide
- Warranty Card
- Leaflet of Warranty Card
- Packaging Materials

Dimensions



Compatible Accessories

