

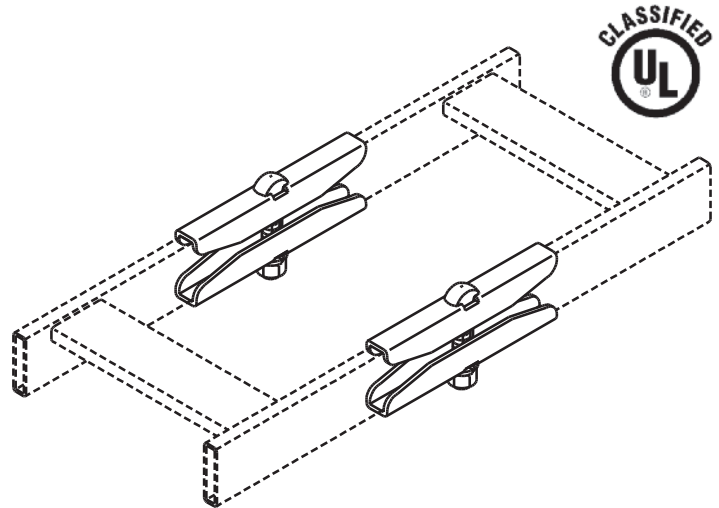
# Product Cut Sheet

## BUTT-SPLICE KIT

Kit contains material to butt-splice 1-1/2" cable runway. Fits both solid and tubular steel 1 1/2" x 3/8" and 2" x 3/8" cable runway.

■ Kit consists of:

- 4 each splice plates
- 2 each 3/8-16 trimmed head bolts
- 2 each 3/8-16 hex nuts
- 2 each 3/8" split lock washers



Part Number	Description	Shipping Weight
11301-X01	Butt-Splice Kit 1 1/2" x 3/8" Stringer	1 lb
11301-X02	Butt-Splice Kit, 2" stringer	1 lb
16301-X01	U.L. Classified Kit	1 lb

\* Note: X=color over zinc: 0=Gold, 7=Black

800-834-4969 in U.S. & Canada • [www.chatsworth.com](http://www.chatsworth.com)



CHATSWORTH PRODUCTS, INC.

©2010 Chatsworth Products, Inc. All rights reserved. CPI, CPI Passive Cooling, MegaFrame, Saf-T-Grip, Seismic Frame, SlimFrame, TeraFrame, Cube-IT Plus, Evolution, OnTrac, and QuadraRack are federally registered trademarks of Chatsworth Products, Inc. GlobalFrame, Simply Efficient and Velocity are trademarks of Chatsworth Products, Inc. All other trademarks belong to their respective companies. 12/10