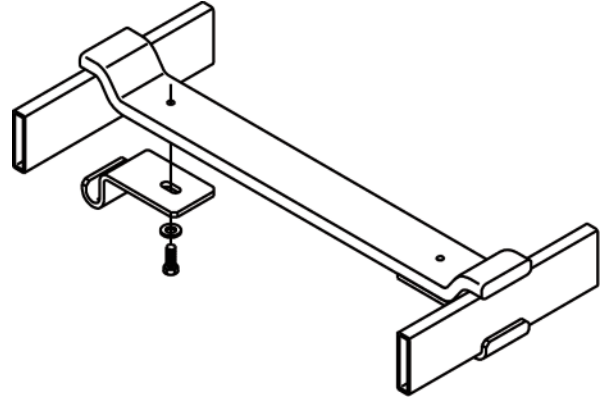


# Product Cut Sheet

## CABLE RUNWAY MOVABLE CROSS MEMBER

Permits the dropping of cables at any point between cross members of 9", 12" or 18"W (230 mm, 300 mm or 460 mm) Cable Runways. Combine with the recommended Cable Runway Radius Drop.

- Fits on standard Cable Runway only — 1-1/2" x 3/8" stringer (38.1 mm x 9.53 mm)
- Can be used as an attachment point for the Cable Runway Radius Drops listed below
- Easy installation using provided hardware



Part Number	Cable Runway in (mm)	Use with Radius Drop
12115-X09	9 (230)	12100-X06
12115-X12	12 (300)	12100-X09
12115-X18	18 (460)	12100-X12

*X=color: 1=Gray, 2=Computer Beige, 7=Black, E=Glacier White. Beige kits have gold-colored hardware, Gray (-1XX) and Black (-7XX) kits have black color hardware.*

800-834-4969 in U.S. & Canada • [www.chatsworth.com](http://www.chatsworth.com)



**CHATSWORTH PRODUCTS**

©2013 Chatsworth Products, Inc. All rights reserved. CPI, CPI Passive Cooling, GlobalFrame, MegaFrame, Saf-T-Grip, Seismic Frame, SlimFrame, TeraFrame, Cube-IT Plus, Evolution, OnTrac, Velocity and QuadraRack are federally registered trademarks of Chatsworth Products. eConnect and Simply Efficient are trademarks of Chatsworth Products. All other trademarks belong to their respective companies. 6/13