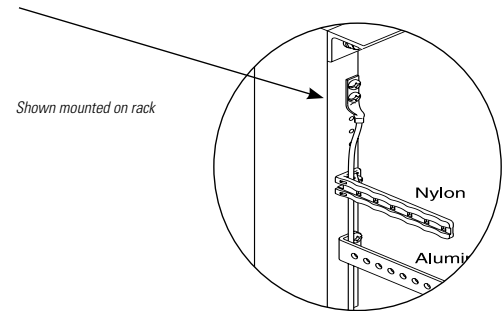
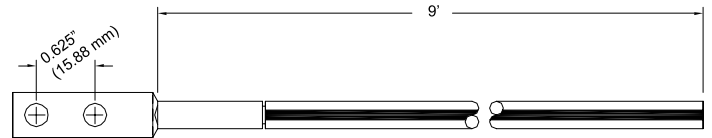


# Bonding Jumper

Bonding Jumpers provide common bonding from equipment rack or cabinet to the Telecommunications Equipment Bonding Conductor. Can be used with CPI "L" Brackets (P/N 10001-001 or 10559-500) to attach cable run vertically along equipment rack or cabinet. Bonding jumpers are constructed of a 9'L (2.7 m) #6 AWG stranded copper conductor insulated green with a horizontal yellow stripe attached to a compression lug with two 1/4" (6.4 mm) bolt holes spaced on 5/8" (15.9 mm) centers.

- Available individually or in packages of 10
- Constructed of UL Listed components, File E236184, Category KDER (US), KDER7 Canada) - Bonding and Grounding Equipment
- Other configurations available on request



## ORDERING INFORMATION

Part Number	Description	Shipping Weight lb (kg)
40159-009	9 (2.7) Bonding Jumper, Each	2 (0.9)
40159-019	9 (2.7) Bonding Jumper, Pack of 10	20 (9.1)

**United States**

Agoura Hills, CA  
800-834-4969

**Canada**

Toronto, Ontario, Canada  
+905-850-7770

**Europe**

Buckinghamshire, UK  
+441628524834

**Middle East & Africa**

Dubai, UAE  
+971-4-2602125

Doha, Qatar  
+974-4-267422

**Latin America**

+52-55-5203-7525  
Toll Free within Mexico  
800-201-7592  
chatsworth.com.co

**Asia Pacific**

+86 21 6880-0266  
chatsworth.com.cn



CHATSWORTH  
PRODUCTS