

# Installation Instructions

## KIT, SINGLE FAN, CUBE-IT

### Safety Information



**WARNING:** Improper use of this product or failure to follow these instructions may result in equipment damage, personal injury, or death. Read and understand all instructions for proper installation and use of this product.



**WARNING:** Disconnect electrical power before working on or installing fan assemblies.



**WARNING:** Never work alone when potentially hazardous conditions exist and never install damaged equipment.



**WARNING:** Hazardous moving parts. Keep away from rotating fan blades.

### Intended Use

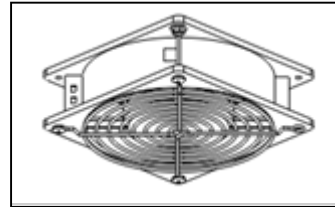
The Fan Kit is designed to provide cooling to the equipment installed in CPI's CUBE-iT Cabinet by drawing pre-filtered air into the cabinet. Drawing air into the cabinet slightly pressurizes the cabinet and provides additional protection from dust and debris. The fan kit can be installed on the left or right sides of the cabinet. Filters can easily be changed without any need to access the inside of the cabinet.

### Tools Required

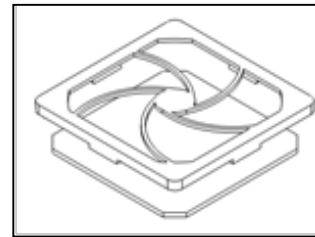
Phillips #2 Screwdriver

### Included Parts and Hardware

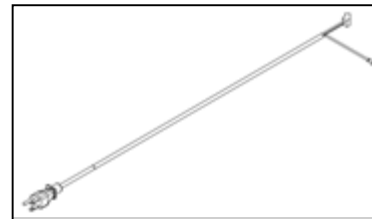
1 – Cooling Fan with Wire Grill



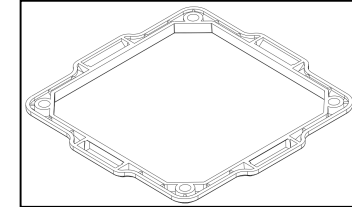
1 – Filter and Plastic Retainer



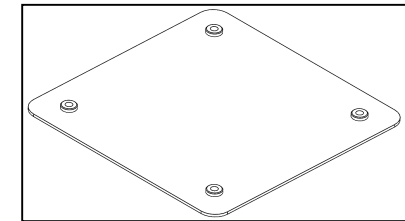
1 – Power Cord (Plug style may vary)



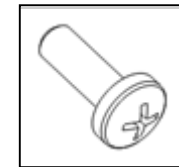
1 – Mounting Plate



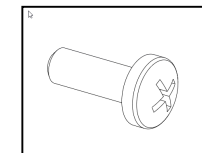
1 – Blanking Panel



8 – M5 Pan Head Screws



1 – M4 Ground Screw



IIS-740972, 01/19/18, Rev. 1, CPI/SJG  
800-834-4969 (USA & Canada) • [www.chatsworth.com](http://www.chatsworth.com) • [techsupport@chatsworth.com](mailto:techsupport@chatsworth.com)  
For international phone numbers, see our website or contact CPI Tech Support.

*This drawing contains proprietary and confidential information and is protected by U.S. and international law. Unauthorized reproduction, disclosure or use of the drawing or the information therein is expressly forbidden except as agreed to in writing by Chatsworth Products, Inc.*

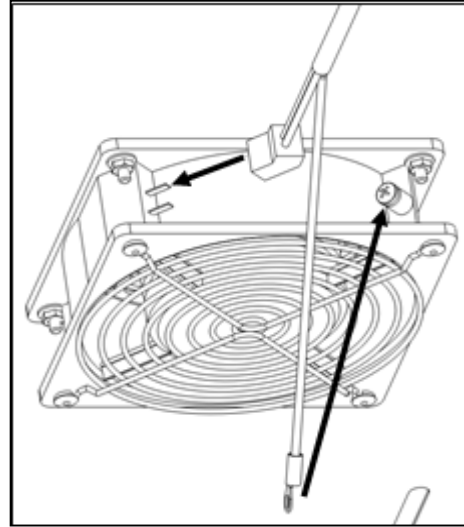
# Installation Instructions

## KIT, SINGLE FAN, CUBE-IT

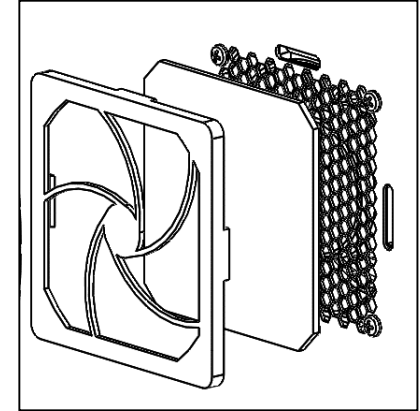
### Assembly Sequence

1. Connect Power Cord connector to Fan connector. Attach green ground wire loop to fan body using M4 screw.
2. It is recommended to mount the single fan on the hinge side of the cabinet, in the lower vent pattern. Using the included screws, attach Fan and Mounting Plate to the cabinet as shown. See image below for correct Mounting Plate orientation. Fan should be inside the cabinet with the Mounting Plate between the fan and cabinet.
3. From outside the cabinet, snap the Plastic Retainer to the Mounting Plate, capturing the Filter media.
4. Attach the Blanking Panel to the vent pattern on the opposite side of the cabinet.
5. Plug Power Cord into approved power supply to power fan. Fan will run when powered.

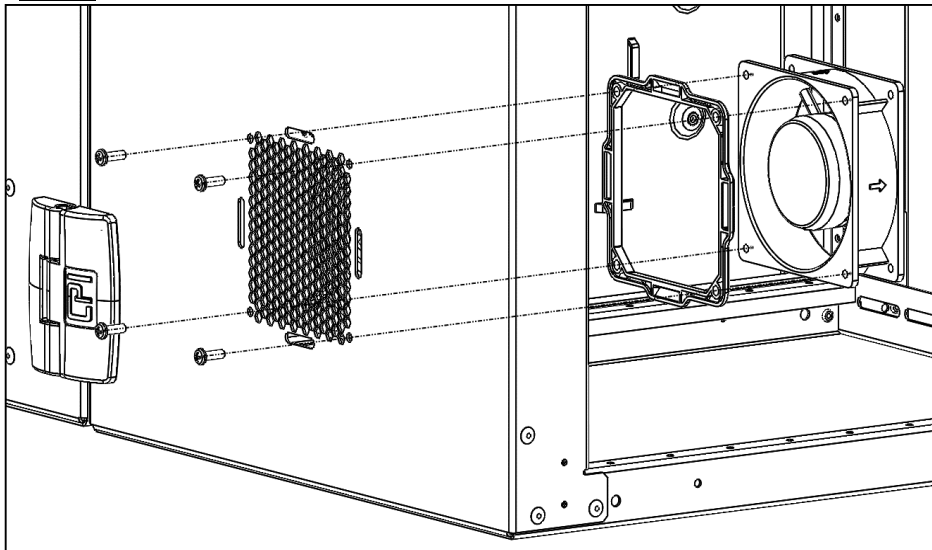
Step 1



Step 3



Step 2



Step 4

