

# Product Information Sheet

## SPLICE KITS (BUTT & JUNCTION)

### Butt-Splice Kit

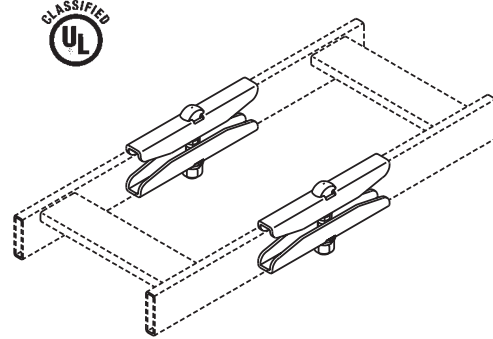
Kit contains material to butt-splice 1-1/2" cable runway. Fits both solid and tubular steel 1 1/2" x 3/8" and 2" x 3/8" cable runway.

**Kit consists of:**

- 4 each splice plates
- 2 each 3/8-16 trimmed head bolts
- 2 each 3/8-16 hex nuts
- 2 each 3/8" split lock washers

Part Number	Description	Shipping Weight
11301-X01	Butt-Splice Kit - 1 1/2" x 3/8" Stringer	1 lb
11301-X02	Butt-Splice Kit, 2" stringer	1 lb
16301-X01	U.L. Classified Kit	1 lb

\* Note: X=color over zinc: 0=Gold, 7=Black



### Junction-Splice Kit

Used to create a 90 degree junction splice with all types of 1-1/2" x 3/8" or 2" x 3/8" cable runway.

**Kit consists of:**

- 4 each corner clamp plates
- 2 each 3/8-16 x 1 3/8" trimmed head bolts
- 2 each 3/8-16 hex nuts
- 2 each 3/8 split lock washers

Part Number	Description	Shipping Weight
11302-X01	Junction-Splice Kit 1 1/2" x 3/8" Stringer	1 lb
11302-X02	Junction-Splice Kit 2" x 3/8" Stringer	1 lb
16302-X01	U.L. Classified Junction Kit	1 lb

\* Note: X=color over zinc: 0=Gold, 7=Black

