

DH-IPC-HF8530E

5MP H.265 Ultra-Smart Network Camera



Features

- 1/1.8" 5 Megapixel progressive scan CMOS
- Support H.265/H.264 dual codec
- Smart triple streams supported
- Max 25/30fps@5M(2560x1920)
- Smart detection:
 - Face detection
 - Tripwire detection
 - Intrusion detection
 - Scene change detection
- Auto back focus
- Bulit-in Mic
- 100/1000M Base-T Ethernet

DH-IPC-HF8530E

Technical Specifications

Model	DH-IPC-HF8530EP	DH-IPC-HF8530EN
Camera		
Image Sensor	1/3" 5Megapixel CMOS	
Effective Pixels	2560(H)x1920(V)	
Scanning System	Progressive	
Electronic Shutter Speed	Auto/Manual, 1/3~1/100000s	Auto/Manual, 1/4~1/100000s
Min. Illumination	Color: 0.01Lux/F1.2, B/W: 0.001Lux/F1.2;	
S/N Ratio	More than 52dB	
Video Output	1 channel BNC (1.0Vp-p,75Ω)	
Camera Features		
Max. IR LEDs Length	N/A	
Day/Night	Auto(ICR)/Color/B/W	
Backlight Compensation	BLC / HLC / DWDR	
White Balance	Auto/Manual	
Gain Control	Auto/Manual	
Noise Reduction	Ultra 3D	
Privacy Masking	Up to 4 areas	
EIS	Support	
Ultra Defog	Support	
Smart focus	ABF	
Lens		
Mount Type	C/CS	
Video		
Compression	H.265/H.264/MJPEG	
Resolution	5M(2560×1920)/3M(2048×1536)/1080P(1920×1080)/720P(1280×720)	

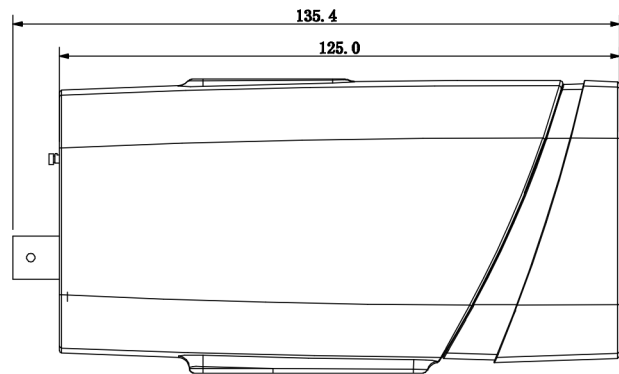
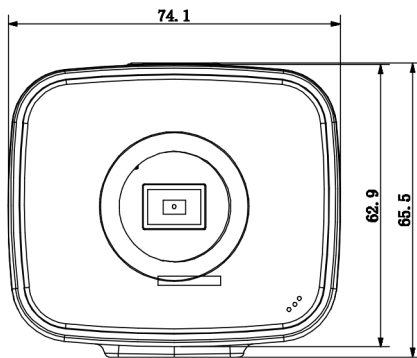
DH-IPC-HF8530E

		80×720) /D1(704×576) /CIF(352×288)
Frame Rate	Main Stream	5M(1~25/30fps)
	Sub Stream	D1/CIF(1 ~ 25/30fps)
	Third Stream	5M(1~25/30fps)
Bit Rate		H.264: 48K ~ 8192Kbps
ROI		Up to 4 areas
Audio		
Compression		G.711a / G.711u
Interface		1/1 channel In/Out
Smart Function		
Smart detection	Tripwire	
	Intrusion	
	Scene change	
	Missing/Abandoned	
	Audio detect	
	Face detect	
Network		
Ethernet		RJ-45 (10/100/1000Base-T)
Wi-Fi		N/A
Protocol		IPv4/IPv6, HTTP, HTTPS, SSL, TCP/IP, UDP, UPnP, ICMP, IGMP, SNMP, RTSP, RTP, SMTP, NTP, DHCP, DNS, PPPOE, DDNS, FTP, IP Filter, QoS, Bonjour
Compatibility		ONVIF, PSIA, CGI
Max. User Access		20 users
Smart Phone		iPhone, iPad, Android, Windows Phone
Auxiliary Interface		

DH-IPC-HF8530E


Memory Slot	Micro SD, Max 64GB
Alarm	2/1 channel In/Out
General	
Power Supply	DC12V/AC24V, PoE (802.3af)
Power Consumption	Max 10W
Working Environment	-30° C~+60° C, Less than 95% RH
Ingress Protection	N/A
Dimensions	71.4mm×65.5mm×135.4mm
Weight	0.3Kg

Dimensions (mm)



Accessory (optional)

DH-IPC-HF8530E

			
PFB120W	PFB121W	PFA121	PFB110W

Dahua Technology Co., Ltd.

1199 BinAn Road, Binjiang District, Hangzhou, China

Tel: +86-571-87688883

Fax: +86-571-87688815

Email: overseas@dahuatech.com

www.dahuatech.com

*Design and specifications are subject to change without notice.

© 2015 Dahua Technology Co., Ltd.