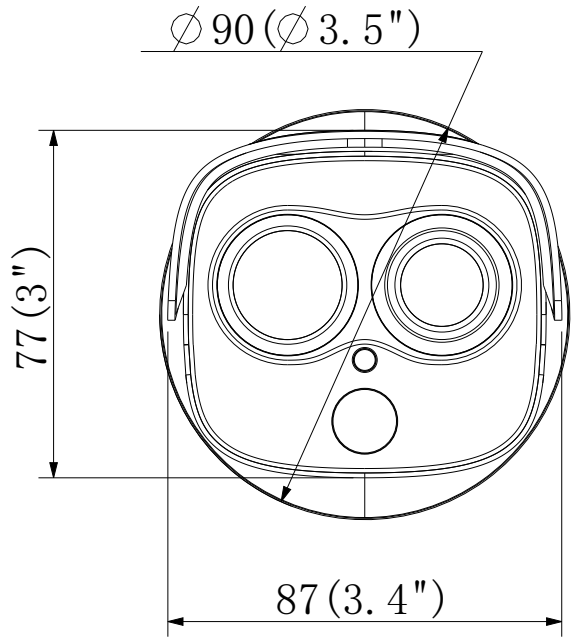
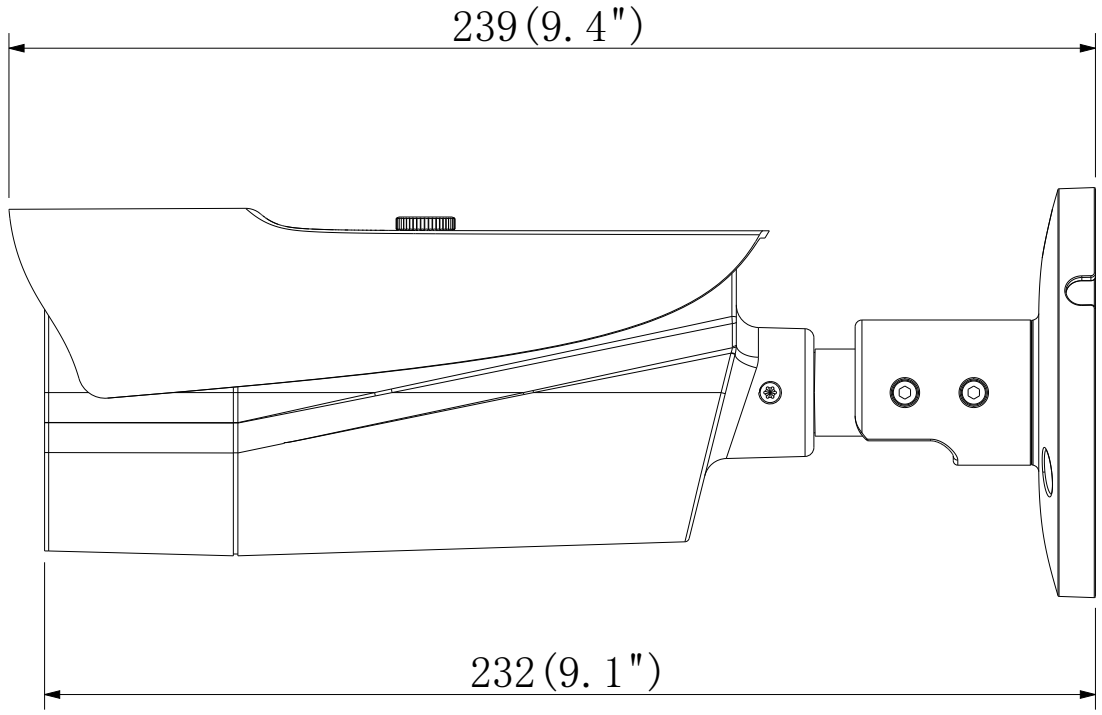


REVISIONS					
REV	ZONE	MARK	DESCRIPTION	DATE	CHANGED



RELEASE LEVEL: [PROJ RELEASE]
 FILE NAME: 0-DH3-1263-0000

. X	±0.2			浙江大华技术股份有限公司 ZHEJIANG DAHUA TECHNOLOGY CO., LTD.	TITLE: 入门级热成像双目枪机整机			
. XX	±0.15				DRAW:	DATE:	UNIT'S: mm	DWG NO. : 0-DH3-1263-0000
. XXX	±0.05				ANG	±0.5	CHKD:	DATE:
THESE DRAWINGS AND SPECIFICATION ARE THE PROPERTY OF ZHEJIANG DAHUA TECHNOLOGY Co., LTD. AND SHALL NOT BE REPRODUCED COPYIED OR USED IN ANY MANNER WITHOUT THE PRIOR WRITTEN CONSENT OF ZHEJIANG DAHUA TECHNOLOGY Co., LTD.				STAD:	DATE:	REV: B01	MASS (g) : 1.0	PART NO. :
				APPD:	DATE:	SHEET: 1 OF 1		