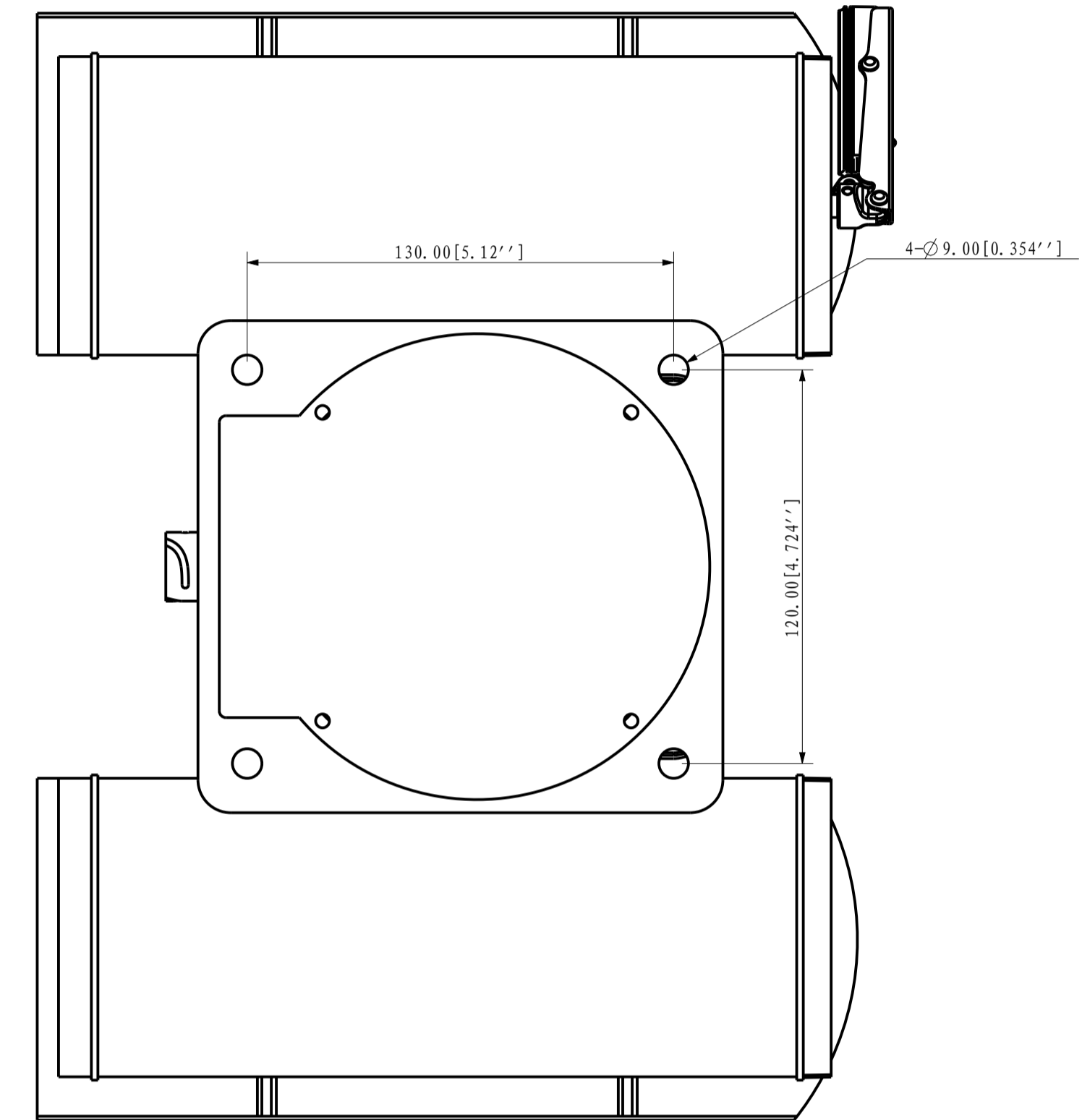
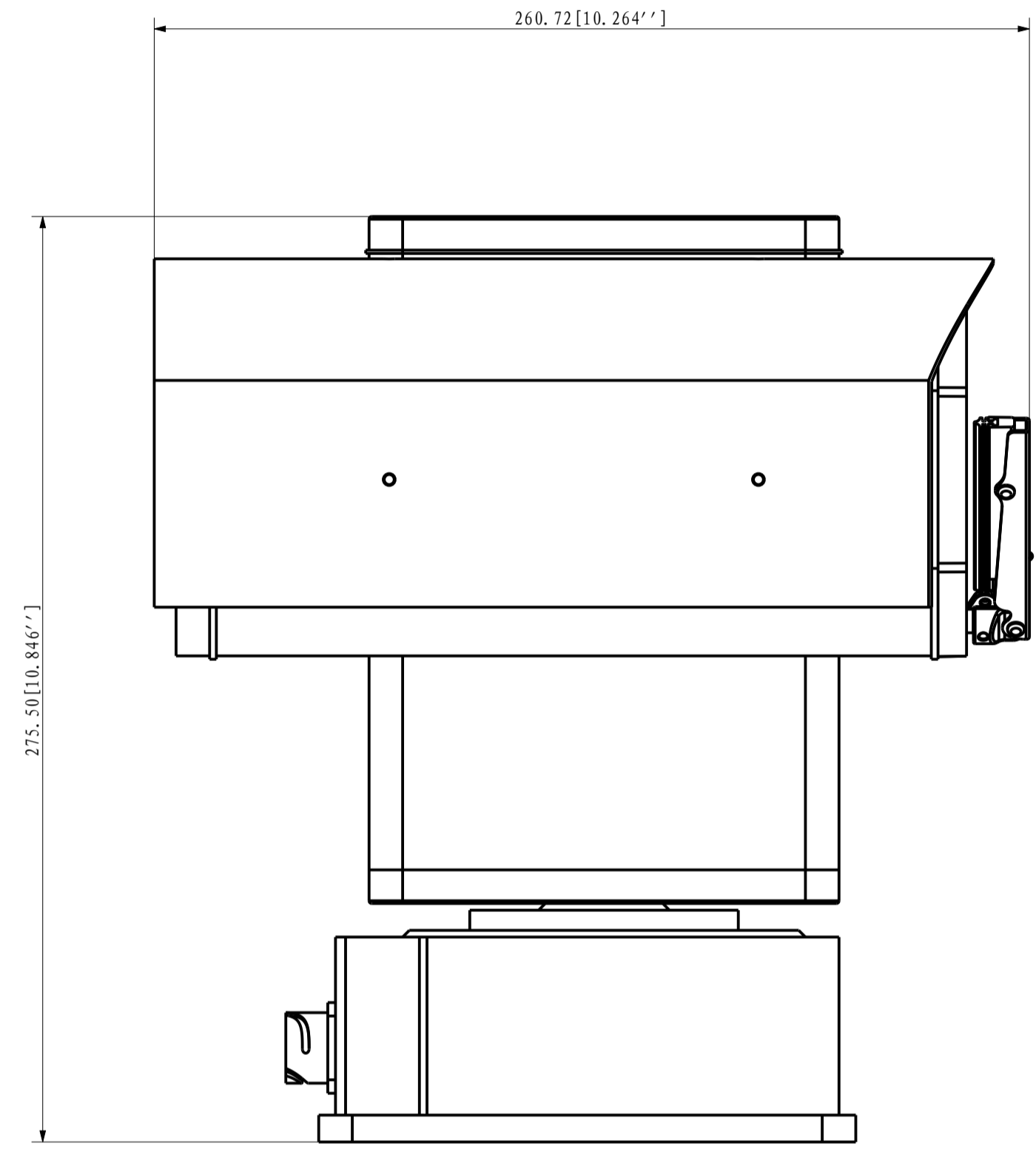
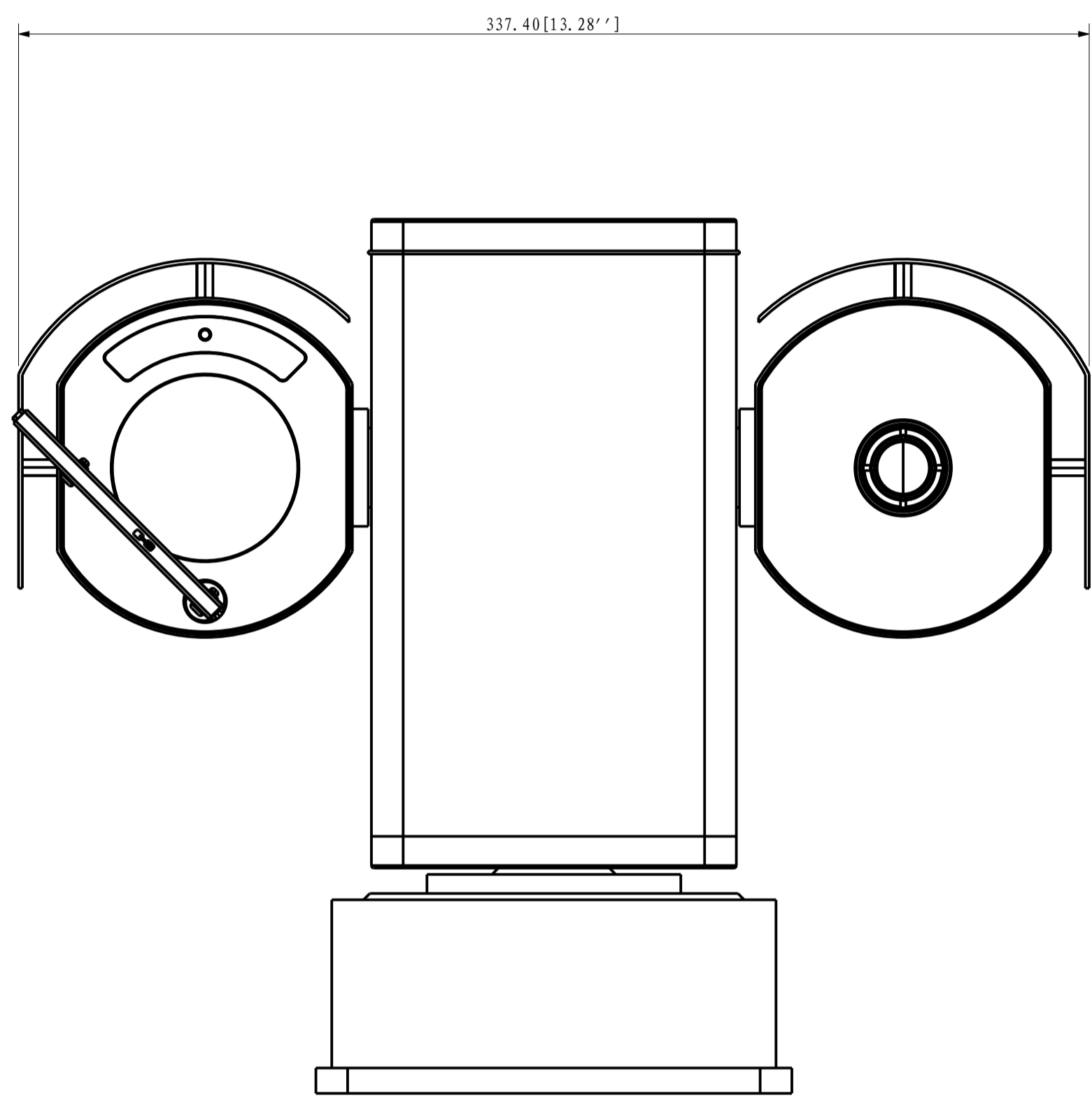


| REVISIONS | | | | | |
|-----------|------|------|-------------|------|---------|
| REV | ZONE | MARK | DESCRIPTION | DATE | CHANGED |
| | | | | | |



RELEASE LEVEL: &PROJ-RELEASE
FILE NAME: DH3-0201-0000

| | | | | | | | |
|---|-------|-------------------------------|---------------------------|-------------------------------|------------------------------|-------------------------------|------------------------------|
| .X | ±0.2 | | | TITLE: | | | |
| .XX | ±0.15 | | | DH3-0201-0000 | | | |
| .XXX | ±0.05 | | | PART NO.: | | | |
| <small>THESE DIMENSIONS AND SPECIFICATIONS ARE THE PROPERTY OF ZEILAND DATA TECHNOLOGY CO., LTD. AND SHALL NOT BE REPRODUCED OR USED IN ANY MANNER WITHOUT THE PRIOR WRITTEN CONSENT OF ZEILAND DATA TECHNOLOGY CO., LTD.</small> | | <small>DRAN:</small> DATE: | <small>SCALE:</small> 1:1 | <small>DATE:</small> DATE: | <small>REV:</small> DATE: | <small>APPD:</small> DATE: | <small>SHEET:</small> 1 OF 1 |