

DHI-NVR4416/4432-16P

16/32 Channel 16PoE 1.5U Lite Network Video Recorder



- H.264+/H.264 codec decoding
- Max 200Mbps Incoming Bandwidth
- Up to 5MP Resolution for Preview and Playback
- HDMI/VGA/TV simultaneous video output
- Support IPC UPnP, 16PoE ports
- Support ANR technology to enhance the storage reliability when the network break down



System Overview

Dahua's NVR4000 is one of the NVRs which have the most reasonable price and best quality for IP video surveillance applications. This Lite NVR provides up to 5MP resolution. Additionally, the NVR features a mouse shortcut operation menu, remote management and control, centre storage, edge storage, and back up storage.

Designed as a low-cost, easy installation, this NVR is ideal for a wide range of applications such as public safety, water conservancy, transportation, city centers, education, and financial institutions.

The NVR is compatible with numerous third-party devices making it the perfect solution for surveillance systems with or without a video management system (VMS). Its open architecture supports multi-user access and is compatible with ONVIF 2.4, enabling interoperability when combined with IP cameras.

Functions

Smart H.264+

Delivering high quality video without straining the network, Smart H.264+ is the optimized implementation of H.264. The Smart H.264+ encoding platform includes a scene adaptive encoding strategy, dynamic GOP, dynamic ROI, flexible multi-frame reference structure and intelligent noise reduction, providing a savings of up to 70% of bandwidth and storage when compared with standard H.264.

Smart Add

With the Smart Add function, the installation of IP system is as easy as an analog system, no matter the NVR with or without a PoE switch embedded. It should be noted that the NVR has to be in the same router as cameras.

ANR (Automatic Network Replenishment Technology)

Video record in SD card in IP cameras when the network breaks down, and after the network recovered, the video will be transferred to NVR and then recorded in it.

P2P

You can monitor at anytime and anywhere with P2P. With this function, you can manage your devices more convenient.

Technical Specification

System

| | |
|------------------|------------------------------|
| Main Processor | Dual-core embedded processor |
| Operating System | Embedded LINUX |

Display

| | |
|----------------------|--|
| Interface | 1 HDMI, 1 VGA, 1TV |
| Resolution | 1920 × 1080 , 1280 × 1024, 1280 × 720 , 1024 × 768 |
| Multi-screen Display | 1/4/8/9/16 |
| OSD | Camera title, Time, Video loss, Camera lock, Motion detection, Recording |

Video Detection and Alarm

| | |
|-----------------|---|
| Trigger Events | Recording, PTZ, Tour, Alarm Out, Video Push, Email, FTP, Snapshot, Buzzer and Screen Tips |
| Video Detection | Motion Detection, MD Zones: 396 (22 × 18), Video Loss and Camera Blank |
| Alarm input | 16 Channel, Low Level Effective, Green Terminal Interface |
| Relay Output | 4 Channel, NO/NC Programmable, Green Terminal Interface |

Playback and Backup

| | |
|-------------------|---|
| Playback | 1/4/8/16 |
| Search Mode | Time /Date, Alarm, MD and Exact Search (accurate to second), Smart search |
| Playback Function | Play, Pause, Stop, Rewind, Fast play, Slow Play, Next File, Previous File, Next Camera, Previous Camera, Full Screen, Repeat, Shuffle, Backup Selection, Digital Zoom |
| Backup Mode | USB Device/Network/Internal SATA burner/eSATA Device |

Storage

| | |
|--------------|--|
| Internal HDD | 4 SATA III Ports, Up to 6 TB capacity for each HDD |
| HDD Mode | Single |
| eSATA | 1 eSATA Port |

Auxiliary Interface

| | |
|-------|---|
| USB | 2 USB Ports (1 USB 2.0 , 1 USB 3.0) |
| RS232 | 1 Port, for PC Communication and Keyboard |
| RS485 | 1 Port, for PTZ Control |

Third-party Support

| | |
|---------------------|---|
| Third-party Support | Dahua, Arecont Vision, AXIS, Bosch, Brickcom, Canon, CP Plus, Dynacolor, Honeywell, Panasonic, Pelco, Samsung, Sanyo, Sony, Videotec, Vivotek, and more |
|---------------------|---|

Audio and Video

| | |
|-----------------|--|
| IP Camera Input | 16/32 Channel |
| Two-way Talk | 1 Channel Input, 1 Channel Output, RCA |

Recording

| | |
|-----------------|---|
| Compression | H.264+/H.264/MJPEG |
| Resolution | 5MP/ 4MP/ 3MP/ 1080P/ 1.3MP/ 720P etc. |
| Record Rate | 200Mbps |
| Bit Rate | 16Kbps ~ 20Mbps Per Channel |
| Record Mode | Manual, Schedule (Regular, Continuous), MD (Video detection: Motion Detection, Camera Blank, Video Loss), Alarm, Stop |
| Record Interval | 1 ~ 120 min (default: 60 min), Pre-record: 1 ~ 30 sec, Post-record: 10 ~ 300 sec |

Network

| | |
|------------------|--|
| Interface | 1 RJ-45 Port (10/100/1000Mbps) |
| Ethernet Port | 1 Independent 1000Mbps Ethernet Port |
| PoE | 16 ports (IEEE802.3at/af) |
| Network Function | HTTP, TCP/IP, IPv4/IPv6, UPnP, RTSP, UDP, SMTP, NTP, DHCP, DNS, IP Filter, PPPoE, DDNS, FTP, Alarm Server, IP Search (Support Dahua IP camera, DVR, NVS, etc.) |
| Max. User Access | 128 users |
| Smart Phone | iPhone, iPad, Android |
| Interoperability | ONVIF 2.4, CGI Conformant |

Electrical

| | |
|-------------------|---------------------------|
| Power Supply | AC100V ~ 240V, 50 ~ 60 Hz |
| Power Consumption | <40W (Without HDD) |

Environmental

| | |
|----------------------|---|
| Operating Conditions | -10°C ~ +55°C (+14°F ~ +131°F), 86 ~ 106kpa |
| Storage Conditions | -20°C ~ +70°C (-4°F ~ +158°F), 0 ~ 90% RH |

Construction

| | |
|--------------|---|
| Dimensions | 1.5U, 440mm×419.6mm×76mm (17.3" x 16.5" x 3.0") |
| Net Weight | 4.3kg (9.5 lb) (without HDD) |
| Gross Weight | 7kg(15.4 lb)(without HDD) |

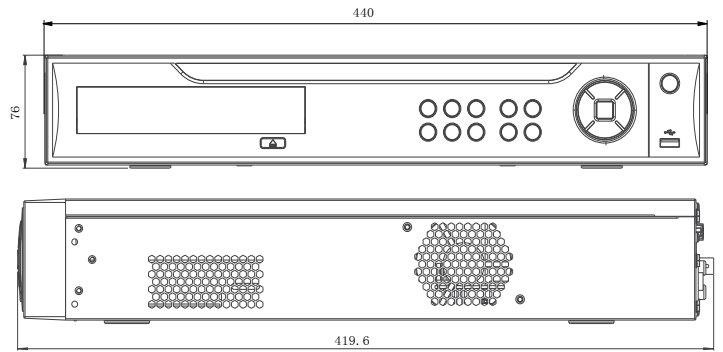
Certifications

| | |
|-----|--|
| CE | EN55022, EN55024, EN50130-4, EN60950-1 |
| FCC | Part 15 Subpart B, ANSI C63.4-2014 |
| UL | UL60950-1+CAN/CSA C22.2 No.60950-1 |

Ordering Information

| Type | Part Number | Description |
|----------------|-----------------|---|
| 16 Channel NVR | DHI-NVR4416-16P | 16 Channel 16PoE 1.5U Lite Network Video Recorder |
| 32 Channel NVR | DHI-NVR4432-16P | 32 Channel 16PoE 1.5U Lite Network Video Recorder |
| Accessories | ESS1504C | 4 HDDs eSATA Storage |

Dimensions (mm)



Accessories



ESS1504C