



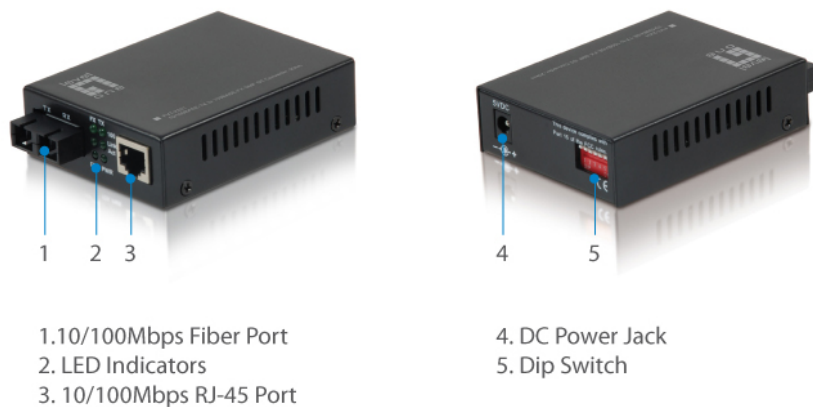
FVT-2201 Version: 1

## 10/100BASE-TX to 100BASE-FX SMF SC Converter, 20km

The FVT-2201 SMF SC media converter is able to convert network signals between copper and fiber-optic based networks. The converter provides a 10/100Base-TX RJ-45 port, supports full duplex and half duplex switch connectivity and 10Base-T and 100Base-TX auto-sensing. Used in single-mode with fibre-optic cabling, this can extend a network range up to 20km.

The device features built-in Dip switches for easy converter configuration, which function on the Smart LFP (Link Fault Pass-through), allowing the converter to monitor both the fiber and copper ports for signal loss, as well as converter transmission method, auto-negotiation mode for adjusting copper speed and full & half duplex mode.

The FVT-2201 is able to operate in temperatures from -10° up to 55° Celsius. The converter can be used as a standalone unit or as a slide-in module to the CHV-2000 19-inch Converter Chassis, which can accommodate up to 14 units for use in a central wiring closet.



1. 10/100Mbps Fiber Port  
2. LED Indicators  
3. 10/100Mbps RJ-45 Port

4. DC Power Jack  
5. Dip Switch

### Key Features

- Transfers data from 10/100Base-TX copper to fiber interfaces
- Single-mode fiber with SC connector for transmission of up to 20km
- Built-in LFP (Link Fault Pass-through) (LLCF/LLR) Technology
- IEEE 802.3x Flow Control protects against lost packets for reliable data transmission
- Dip switches for customized configuration
- Supports low-time lag transmission
- Supports the transmission of extra-long packets up to 1.6KB



- -10°C ~ 55°C operating temperature range

---

## Works With



**CVH-2000**  
14-Slot Media Converter Chassis



**FVT-2401**  
10/100BASE-TX to 100BASE-FX SMF SC Converter, 40km

---

## Specifications

### System Specifications

#### Standards & Protocols:

IEEE 802.3 10-BASE-T, Ethernet  
IEEE 802.3u 100-BASE-TX, Fast Ethernet  
IEEE 802.3x Flow Control (full-duplex flow control)

#### Connectors and Cabling:

1 x 100Base-FX Single-mode duplex SC  
Fiber cable: 8.3/125um, 9/125um, 10/125um

1 x 10/100Base-TX RJ-45 Port, auto MDI/MDI-X and Auto-Negotiation  
CAT-5 Twisted Pair cable

#### Wavelength(nm):

1310nm

#### Indicator:

PWR, TX (FDX, 100, Link/Act), FX (102, Link/Act)

#### Transmission Method:

Store and forward (Default)

#### Power:

DC 5V/1A

### Features

#### General:

DIP Switch 1: LFP function  
DIP Switch 2: Transmission Mode  
DIP Switch 3: Auto/Force the UTP port work mode  
DIP Switch 4: 10/100M for UTP port  
DIP Switch 5: Full/Half Duplex mode for UTP port  
DIP Switch 6: Normally close

### Performance

#### Operating Distance:

Fiber connection up to 20km

### Environment

Temperature (°C):  
 Storage: -40 ~75 °C  
 Operating: -10 ~ 55 °C  
 Humidity (Non-condensing):  
 5 ~ 90 %

### Physical Specifications

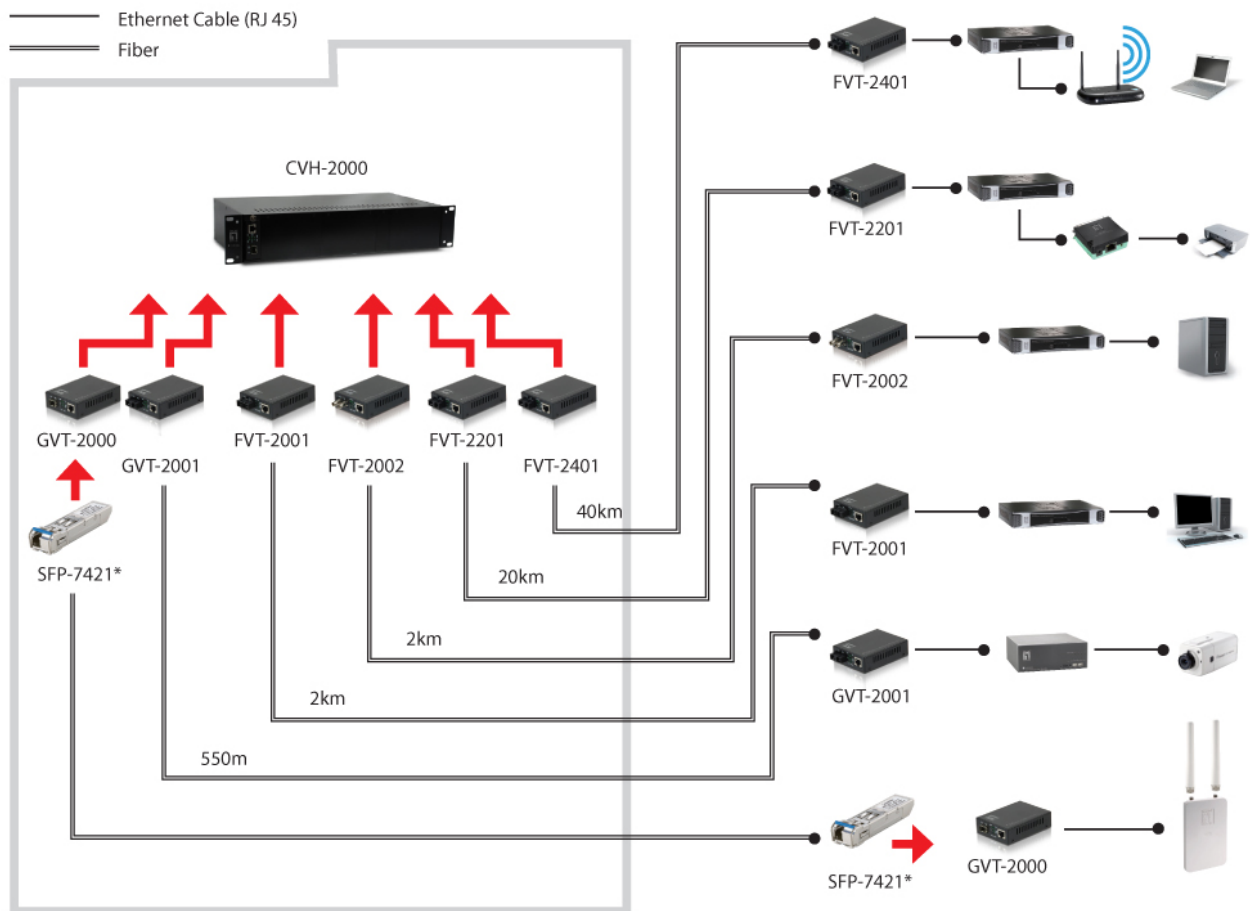
Dimensions (W x D x H mm):  
 71 x 94 x 26 mm  
 Weight (g):  
 420 g

### Others

Approval and Compliance:  
 FCC, CE, RoHS  
 Deployment:  
 Desk, chassis mounted

## Diagram

### Dimension Diagram



\*In above example diagram, converter modules at local and remote ends should be paired for proper connectivity, and the distance mainly depends on cable and transceiver selection accordingly.

## Order Information

FVT-2201

---

## Package Contents

FVT-2201

Power Adapter

Quick Installation Guide

---

## Optional Accessory



### **CVH-2000**

14-Slot Media Converter Chassis

No liability or responsibility for any errors or omissions in the content.  
Specifications are subject to change without notice.  
All mentioned brand names are registered trademarks and property of their owners.  
Copyright © Digital Data Communications GmbH, Germany. All Rights Reserved.