



GEP-2861 Version: 1

28-Port L2 Managed Gigabit PoE Switch, 4 x Gigabit SFP, 24 PoE Outputs, 390W PoE Power Budget

The levelone GEP-2861 is a 28-Port L2 Managed Gigabit PoE Switch that supports up to 24*10/100/1000M PoE ports and 4*1000M SFP ports. 24*10/100/1000M ports support PoE+ and total up to 390W PoE power budget, conforming to IEEE 802.3af/at standard, single port PoE power up to 30W. supports L2 management, such as QoS, VLAN, MSTP, Multi-broadcast, ports management and PoE management. It has a high anti-interference ability, the product supports 6KV surge protection, and 6KV contact / 8KV air ESD protection. supports wall hanging and desktop installation, reliable and durable, and can be used in security network video monitoring, network engineering and other occasions. GEP-2861 provides high HW performance and environment flexibility for SMBs and Enterprises. GEP-2861 is ideal to deliver management simplicity, optimum user experience, and lower total cost of ownership.

Key Features

- 24 Gigabit PoE+ ports and 4 Gigabit SFP ports
- Total PoE power budget: 390W, up to 30W per port
- IEEE 802.3af/at/bt PoE compliant to simplify deployment and installation
- 6KV surge protection, 6KV contact / 8KV air ESD protection
- Supports working temperature -10°C~50°C
- Supports wall hanging and desktop installation

Specifications

Power supply	AC power supply
Range of voltage	AC100-240V, 50/60Hz
Consumption	Self-consumption<20W, PoE output 390W max.
Downlink ports	Ports 1~24 10/100/1000Base-TX 30W PoE RJ45(IEEE 802.3af/at)
Uplink ports	25~28 ports : 1000M SFP slots
Console port	RJ45 to serial port (38400, 8,N,1)
Reset key	Short press restart, > 5s press recovery to default
Cable and distance	Use cat5e/6, 100m max
Standard	IEEE802.3, IEEE802.3u, IEEE802.3z
Switch fabric	56Gbps
Though put	41.66Mpps
Buffer	4M
MAC address table	16K
Indicator	Power: 1 *red; Uplink25~28: 1000M SFP slots Downlink 1~24: On RJ45 green LEDs indicate Link/Act,yellow LEDs indicate PoE
Protection	Surge: 6KV Standard: IEC61000-4-5 ESD: 6KV: contact / 8KV: air Standard: IEC61000-4-2
Working temperature	-10°C~50°C
Storage temperature	-40°C~85°C
Humidity	0~95%(No condensation)
Dimension(L×W×H)	442mm×285mm×44mm
Material	Metal
Colour	Black
Net-weight	4kg

Function

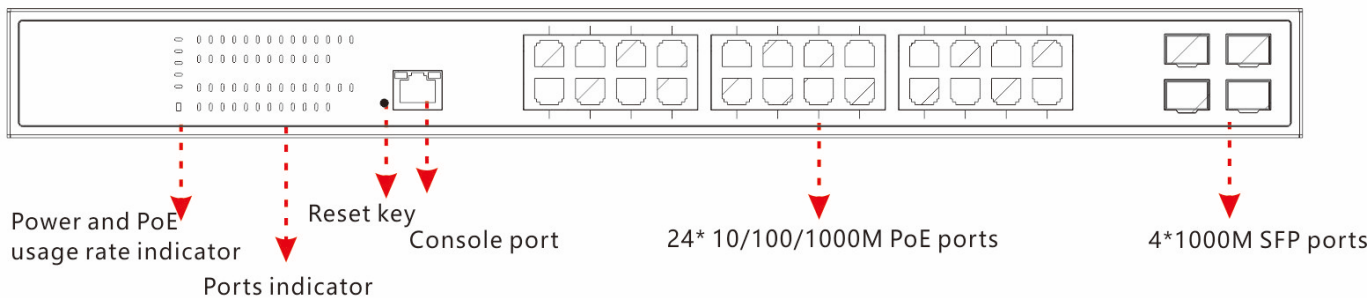
L2 Features	Port configuration	Auto-negotiation
		Flow Control
		Port Mirror
		Traffic statistics
	Link Aggregation	Static link aggregation
		LACP
		Algorithm based on Source/Destination MAC
		Algorithm based on Source/Destination IP
		8 groups
	MAC Table	8 ports per group
		Aging Time
		Static MAC address
	VLAN	Dynamic MAC address management
4K Active VLANs		
4K VID		
802.1Q Tag VLAN		

		Port VLAN
		Protocol VLAN
		MAC VLAN
		Management VLAN
		Voice VLAN
		Q-in-Q
		Private VLAN
		GARP/GVRP
	ACL	64 ACLs
		L2, L3 e L4
		Time-based ACL
	Spanning tree	802.1D Spanning Tree Protocol (STP)
		802.1w Rapid Spanning Tree Protocol (RSTP)
		802.1s Multiple Spanning Tree Protocol (MSTP)
		G8032 Ethernet Ring Protection Switching (ERPS)
		Ethernet Automatic Protection Switching (EAPS)
		Loop Guard
		Root Guard
		TC-BPDU Guard
		BPDU Guard
		BPDU Filter
	Multicast	256 groups
		IGMP v1/v2/v3
		Fast Leave
		Multicast VLAN
		Static Multicast
		Multicast Filter
		IGMP Statistics
		MLD Snooping
	PoE management	Support total power consumption control
		Support single port PoE ON/OFF
		Support port output priority
	QOS	4 priority queues
		CoS port-based
		CoS 802.1p-based
		CoS DSCP-based
		Scheduling algorithms SP, WRR, SP+WRR
		Storm Control (Broadcast, Multicast, Unknown Unicast)
		Bandwidth control per port
Security Features	Port Security	
	MAC address filter	
	ARP Association (Manual, ARP scanning, DHCP snooping) up to 200 entries	
	ARP Protection	
	DoS (Denial of Service)	
	Classification of packages based on: End.MAC, IP End, TCP / UDP Ports, Protocol Type	

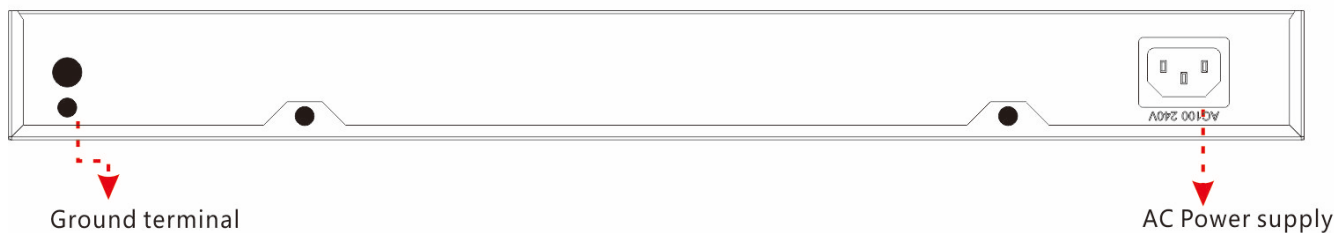
	802.1x Autentication (port-based e MAC-based)
	TACACS/TACACS+ Autentication
	RADIUS Autentication
	DHCP Filter
	Guest VLAN
	SSLv2/SSLv3/TLSv1
	SSHv1/SSHv2
	Restriction of WEB access based on: IP Address, And. MAC and Port
	Port Isolation
	Local User Name Password Authentication (2 levels)
	Loopback detection
Management	SNMP v1/v2c/v3
	RMON 4 grupos
	WEB (HTTP/HTTPS)
	CLI (Telnet, Console, SSHv1/v2)
	Firmware upgrade via console/web/TFTP
	Configuration Backup/Reload
	All possible configurations in the CLI must exist in the WEB interface
Other Features	LLDP
	DHCP Relay
	DHCP Client
	DHCP Snooping
	DHCP Option 82
	SNTP Client
Maintenance	BOOTP Client
	Ping and Tracert
	System log (Local and Remote)
	Memory and CPU Monitoring

Panel diagram

● Front panel

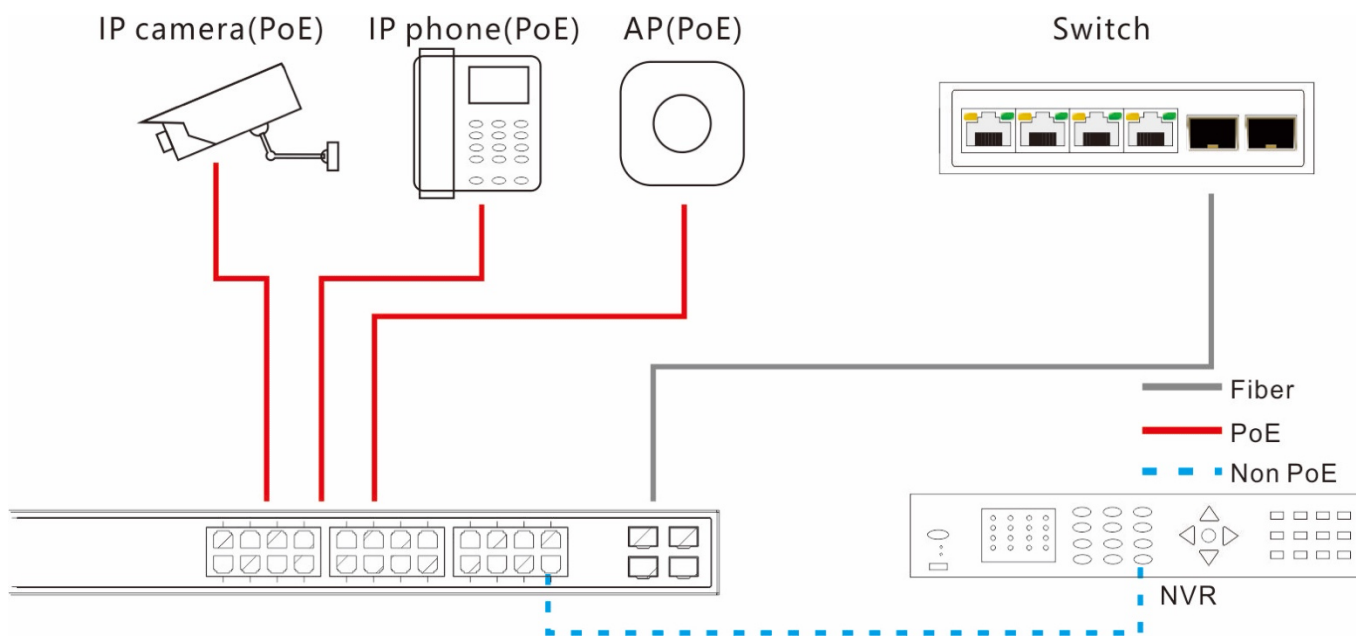


● Back panel

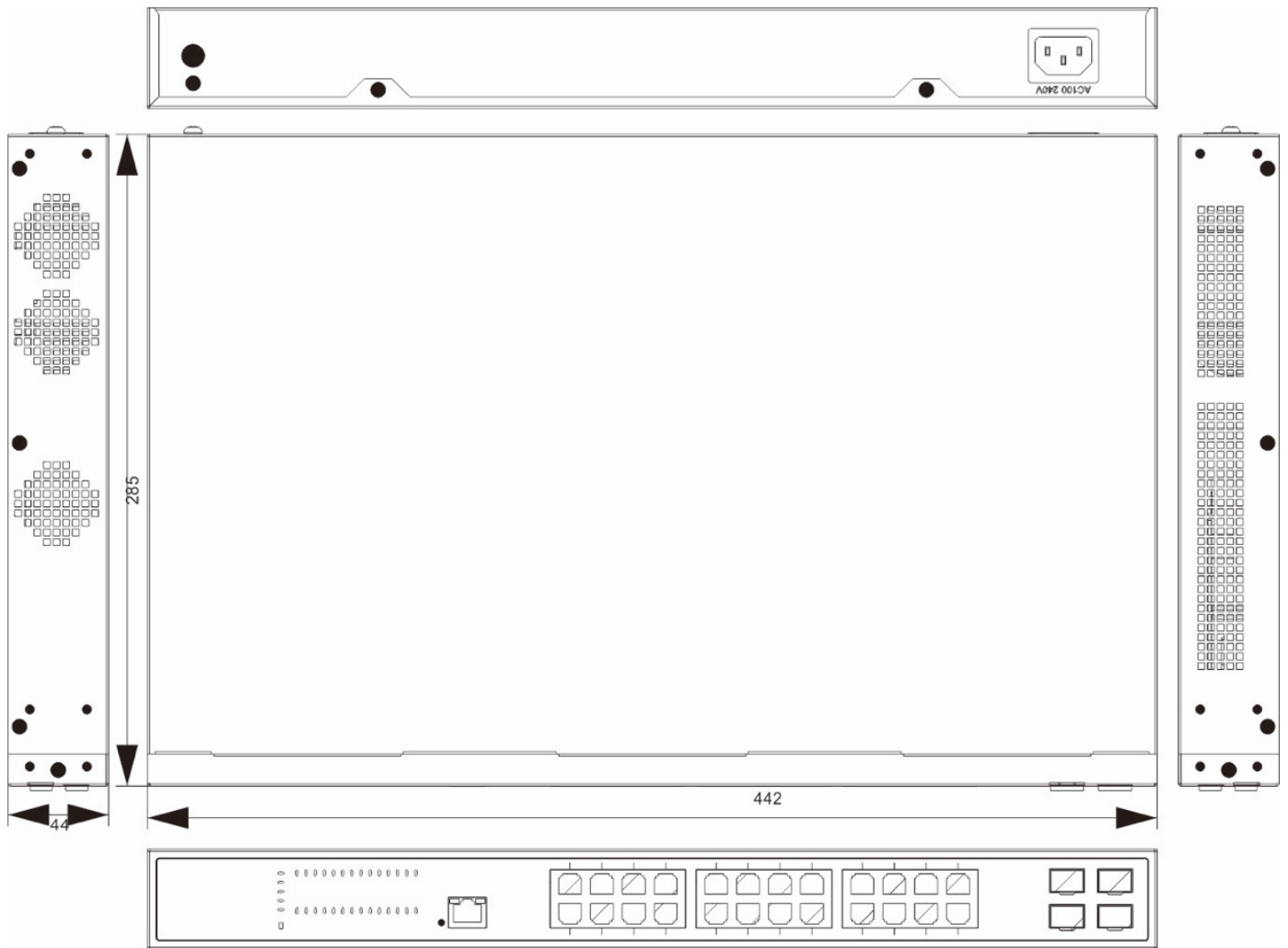


Attention 1: This product must be well grounded against lightning, please use better than 20# cable to connect the grounding terminal and ground.

Application



Dimensions



No liability or responsibility for any errors or omissions in the content.
Specifications are subject to change without notice.
All mentioned brand names are registered trademarks and property of their owners.
Copyright © Digital Data Communications GmbH, Germany. All Rights Reserved.