

LevelOne

KVM-0891

19" Widescreen LCD KVM Rack Console

Quick Installation Guide

Package Checklist

KVM-8901
Rail with front and rear bracket x 2
Long brackets x 1
Power cord / Power Adapter
3 M cable (PS/2 mouse, PS/2 keyboard, DB15 VGA) x 1, USB x 1
Quick Installation Guide
CD (User Manual, QIG)
Screws

Introduction

The LCD drawer, a modularized design, has a 19"-wide screen TFT LCD panel, a 105-key keyboard, and a touchpad.

"KVM-8901" is the 3-in-1 model (LCD, Keyboard, and Touchpad), while "KCM-0832" and "KCM-1632" is the 4-in-1 model (LCD, keyboard, Touchpad and KVM). The power source of all the models is +12V DC-in from an external power adapter.

Hardware Installation

Below is the steps to install the LCD drawer with the standard 19-inch cabinet.

Step 1:

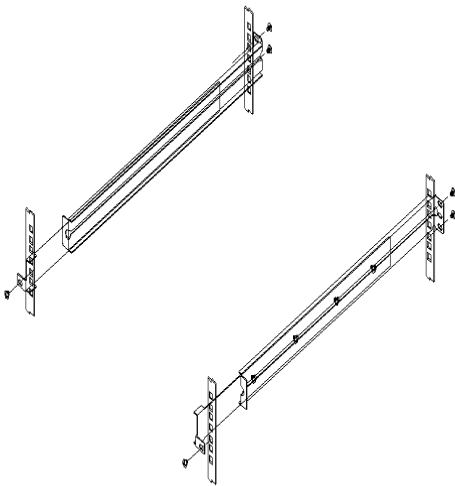


Figure 1: Attach the left and right mounting rails

Step 2:

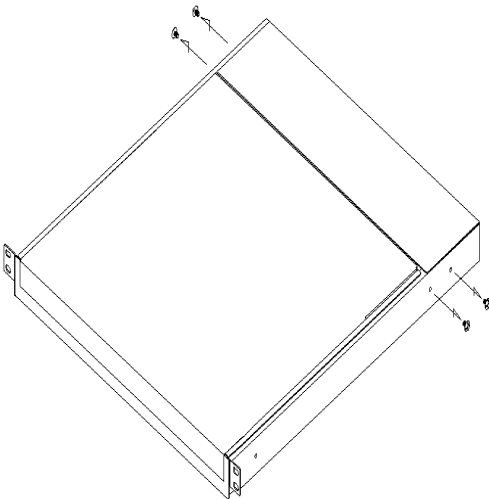


Figure 2: Remove the screws

Step 3:

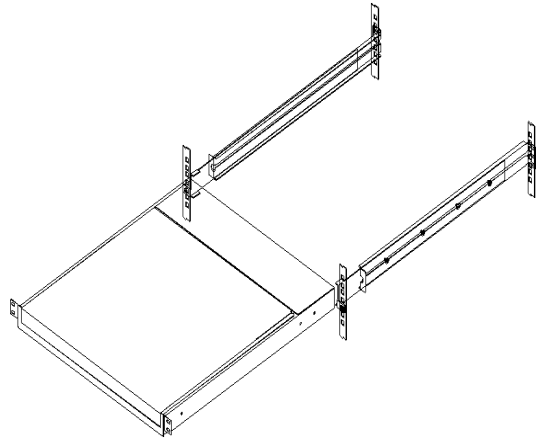


Figure 3: Let the LCD drawer slide-in the rack mount bracket

Step 4:

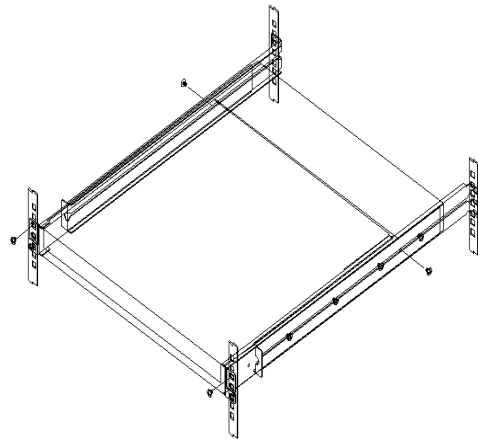


Figure 4: Screw-in the LCD drawer at the left/right position