



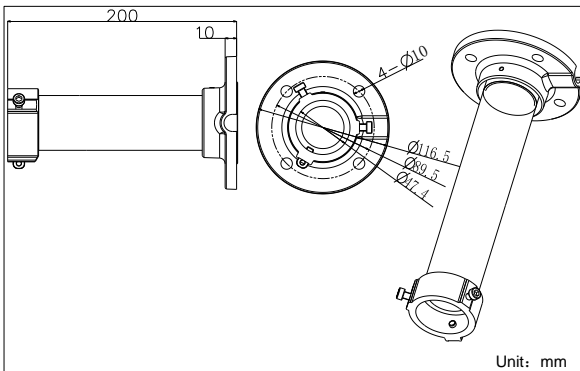
DS-1661ZJ

Pendent Mounting Bracket In/Outdoor

Features:

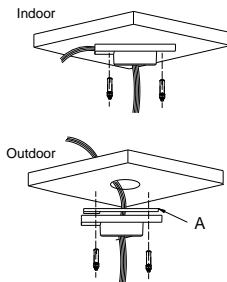
- Aluminum alloy material with surface spray treatment
- General design for indoor/outdoor
- Design of cable entrance hole
- Better water proof with rubber pad design
- With safety rope, the assembling is safer and more convenient

Dimension:



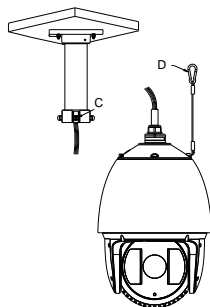
Installation steps:

- ① Choose the appropriate wall to mount the ceiling, and rubber blanket should be added when assembling outdoors



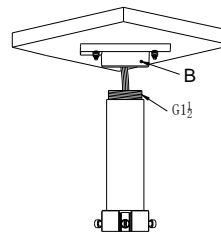
A: Waterproof rubber blanket

- ③ Fasten the safety rope, thread the line and assemble the speed dome



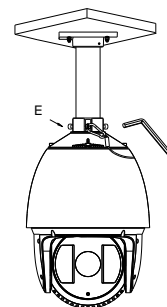
C: Safety rope hook D: Safety rope

- ② Twist and fix the screwed pipe after threading



B: Screw hole

- ④ Fasten the snap joint fixing screw



E: Snap joint fixing screw.

Order model:

DS-1661ZJ

Parameters:

| | |
|-----------|--|
| Model | DS-1661ZJ |
| Parameter | Pendent Mounting Bracket In/Outdoor |
| Color | Hik white |
| Feature | Suitable for speed dome pendent mounting (not suitable for DS-2AE-714) |
| Material | Aluminum alloy |
| Dimension | Φ 116.5 × 200mm |
| Weight | 600g |

Notice:

- Pay attention to the color matching when select bracket
- The bracket should be installed on the flat surface of a wall
- The wall must be capable of supporting more than 3 times the total load of the camera and the mount.
- The maximum load capacity of the mount is 30KG

Note: The figure of Speed Dome in "Installation Step" is only for your reference; please adhere to our real products.