

DS-2CD6D24FWD-(I)Z(H)(S)(/NFC) Quad-Directional Varifocal PanoVu Camera



smart IPC

- 1/2.7" Progressive Scan CMOS
- 1920 × 1080 @ 30fps
- FOV: horizontal 30° to 96.3°, vertical 17° to 54°, diagonal 34° to 121°
- H.265, H.264, H.265+, H.264+
- Fiber optical transmission, optional
- 10 m to 30 m IR range
- IP67, IK10
- 4 flexible lens
- 6 behavior analyses, 4 exception detection, and face detection



Specifications

| Camera | | |
|-----------------------------|---|--|
| Image Sensor | 1/2.7" Progressive Scan CMOS | |
| Min. Illumination | Color: 0.006 Lux @ (F1.2, AGC ON), 0.01 Lux @ (F1.6, AGC ON) B/W: 0.002 Lux @ (F1.2, AGC ON); 0.003 Lux @ (F1.6, AGC ON) 0 Lux with IR on | |
| Shutter Speed | 1 s - 1/100,000 s | |
| Auto-iris | No | |
| Day & Night | IR Cut Filter | |
| Digital Noise Reduction | 3D DNR | |
| WDR | 120 dB | |
| 3-Axis Adjustment | Four flexible lens in one track, slide range: -180° to 180°, tilt: 0° to 135°, rotate: 0° to 355° | |
| Lens | | |
| Focal length | 2.8mm to 12mm | |
| Aperture | F1.6 | |
| FOV | Horizontal field of view: 30° to 96.3° Vertical field of view: 17° to 54° Diagonal field of view: 34° to 121° | |
| Lens Mount | Φ14 | |
| IR | | |
| IR Range | 10 m to 30 m | |
| Wavelength | 850 nm | |
| Compression Standard | | |
| Video Compression | Main stream: H.265+/H.265/H.264+/H.264 Sub stream: H.265/H.264/MJPEG Third stream: H.265/H.264 | |
| H.264 Type | Baseline Profile/Main Profile/High Profile | |
| H.264+ | Support | |
| H.265 Type | Main Profile | |
| H.265+ | Support | |
| Video Bit Rate | 32 Kbps to 16 Mbps | |
| Audio Compression | G.711/G.722.1/G.726/MP2L2/PCM/AAC | |
| Audio Bit Rate | 64Kbps(G.711)/16Kbps(G.722.1)/16Kbps(G.726)/32-192Kbps(MP2L2)/16-64Kbps(AAC) | |
| Smart Feature-set | | |
| Behavior Analysis | Line crossing detection, intrusion detection, region entrance detection, region exiting detection, unattended baggage detection, object removal detection | |
| Exception Detection | Audio exception detection, scene change detection, defocus detection | |
| Face Detection | Yes | |
| Region of Interest | Support 4 fixed region for each stream | |
| Image | | |
| Max. Resolution | 1920 × 1080 | |
| Original Image | Main stream | 50Hz: 25fps (1920 × 1080, 1280 × 960, 1280 × 720) 60Hz: 30fps (1920 × 1080, 1280 × 960, 1280 × 720) |
| | Sub-stream | 50Hz: 25fps (704 × 576, 640 × 480) 60Hz: 30fps (704 × 480, 640 × 480) |
| | Third stream | 50Hz: 25fps (1920 × 1080, 1280 × 960, 1280 × 720, 704 × 576, 640 × 480) |

| | |
|-------------------------------|--|
| | 60Hz: 30fps (1920 × 1080, 1280 × 960, 1280 × 720, 704 × 480, 640 × 480) |
| Image Enhancement | BLC, 3D DNR, EIS |
| Image Setting | Rotate mode, saturation, brightness, contrast, sharpness, and white balance are adjustable by client software or web browser |
| SVC | H.264 Support |
| Day/Night Switch | Day/Night/Auto/Schedule/Triggered by Alarm In (-S) |
| Picture Overlay | LOGO picture can be overlaid on video with 128 × 128 24bit bmp format |
| Network | |
| Network Storage | Support Micro SD/SDHC/SDXC card (128G), local storage and NAS (NFS,SMB/CIFS), ANR |
| Alarm Trigger | Motion detection, video tampering alarm, network disconnected, IP address conflict, illegal login, HDD full, HDD error |
| Protocols | TCP/IP, ICMP, HTTP, HTTPS, FTP, DHCP, DNS, DDNS, RTP, RTSP, RTCP, PPPoE, NTP, UPnP, SMTP, SNMP, IGMP, 802.1X, QoS, IPv6, UDP |
| General Function | One-key reset, anti-flicker, mirror, heartbeat, password protection, privacy mask, watermark, IP address filter |
| API | ONVIF (PROFILE S, PROFILE G), ISAPI |
| Simultaneous Live View | Up to 20 channels |
| User/Host | Up to 32 users 3 levels: Administrator, Operator and User |
| Client | iVMS-4200 |
| Web Browser | IE8+, Chrome31-44, Firefox 30.0 - 51 |
| Interface | |
| Audio (-S) | 1-ch 3.5 mm input (line in/Mic in), 1-ch 3.5mm output, dual-track, stereo |
| Communication Interface | 1 RJ45 10M/100M/1000M Ethernet port 1 RS-485 interface (-S) 1 1000M FC fiber optical interface (-/NFC) |
| Alarm (-S) | 2 input, 2 output (up to 24 VD, 1A or 110 VAC, 500mA) |
| On-board storage | Built-in Micro SD/SDHC/SDXC slot, up to 128 GB |
| Reset Button | Yes |
| Audio | |
| Environment Noise Filtering | Support |
| Audio Sampling Rate | 8 kHz/16 kHz/32 kHz/44.1 kHz/48 kHz |
| Fiber Optical | |
| Interface Type | FC interface |
| Optical Type | Single mode, single fiber |
| Input/output Wavelength | Tx1310nm/1.25G, Rx1550nm/1.25G |
| Transmission Distance | 20 km |
| General | |
| Operating Conditions | -30 °C to 60 °C (-22 °F to 140 °F). -H: -40 °C to 60 °C (-40 °F to 140 °F) Humidity 95% or less (non-condensing) |
| Power Supply | 12 VDC ± 20%, 24 VAC ± 20% (for customization), three-core terminal block, -I, -IZHS/NFC: Hi-PoE: 42.5 VDC to 57 VDC, -Z: PoE (802.3at) |
| Power Consumption and Current | 12 VDC ± 20%: max. 28 W/2.3 A 24 VAC ± 20%, max. 50 to 60 Hz/2.5 A (for customization) -I, -IZHS/NFC: Hi-PoE: 42.5 VDC to 57 VDC, max. 34W/0.9 A to 0.6 A -Z: PoE (802.3at): 42.5 VDC to 57 VDC, max. 17W |
| Protection Level | IP67, IK10 |
| Material | Aluminum alloy, engineering plastics |

| | |
|------------|--|
| Dimensions | Camera: $\varnothing 290 \text{ mm} \times 145.5 \text{ mm}$ ($\varnothing 11.42'' \times 5.73''$) Package: $453 \text{ mm} \times 393 \text{ mm} \times 385 \text{ mm}$ ($17.8'' \times 15.47'' \times 15.16''$) |
| Weight | Camera: Approx. 4.7 kg (10.3 lb.) With package: Approx. 7.7 kg (16.8 lb.) |

**The VCA function can be enabled for any channel separately, or for both Camera 01 and Camera 03, or Camera 02 and Camera 04.*

Available Models

DS-2CD6D24FWD-Z
DS-2CD6D24FWD-IZ
DS-2CD6D24FWD-IZHS/NFC

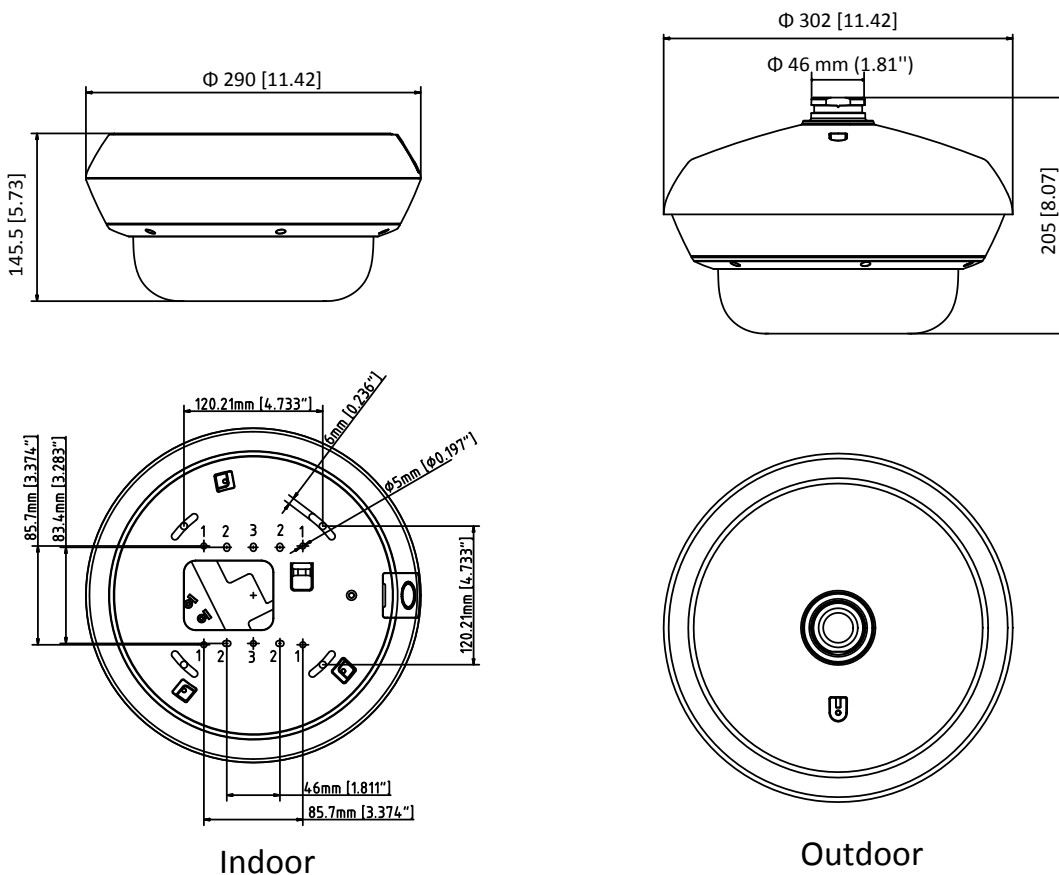
-I: IR supported

-H: heater supported, start-up in -40°C

-S: 1 audio input (line in), 1 audio output, 2 alarm input and 2 alarm output, and 1 RS-485 interface

-/NFC: fiber optical transmission supported

Dimensions



Accessories



DS-1602ZJ
Wall Mount



DS-1603ZJ
Wall Mount



DS-1663ZJ
Pendant Mount



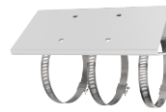
DS-1661ZJ
Pendant Mount



DS-1275ZJ
Vertical Pole Mount



DS-1276ZJ
Corner Mount



DS-1673ZJ
Horizontal Pole Mount

Distributed by



HIKVISION

Headquarters

No.555 Qianmo Road, Binjiang District,
Hangzhou 310051, China
T +86-571-8807-5998
overseasbusiness@hikvision.com

Hikvision USA
T +1-909-895-0400
sales.usa@hikvision.com

Hikvision Australia
T +61-2-8599-4233
salesau@hikvision.com

Hikvision India
T +91-22-28469900
sales@pramahikvision.com

Hikvision Canada
T +1-866-200-6690
sales.canada@hikvision.com

Hikvision Thailand
T +662-275-9949
sales.thailand@hikvision.com

Hikvision Europe
T +31-23-5542770
sales.eu@hikvision.com

Hikvision Italy
T +39-0438-6902
info.it@hikvision.com

Hikvision Brazil
T +55 11 3318-0050
Latam.support@hikvision.com

Hikvision Turkey
T +90 (216)521 7070- 7074
sales.tr@hikvision.com

Hikvision Malaysia
T +601-7652-2413
sales.my@hikvision.com

Hikvision UK & Ireland
T +01628-902140
sales.uk@hikvision.com

Hikvision South Africa
Tel: +27 (10) 0351172
sale.africa@hikvision.com

Hikvision France
T +33(0)1-85-330-450
info.fr@hikvision.com

Hikvision Kazakhstan
T +7-727-9730667
nikia.panfilov@hikvision.ru

Hikvision Vietnam
T +84-974270888
sales.vt@hikvision.com

Hikvision UAE
T +971-4-4432090
salesme@hikvision.com

Hikvision Singapore
T +65-6684-4718
sg@hikvision.com

Hikvision Spain
T +34-91-737-16-55
info.es@hikvision.com

Hikvision Tashkent
T +99-87-1238-9438
uzb@hikvision.ru

Hikvision Hong Kong
T +852-2151-1761
info.hk@hikvision.com

Hikvision Russia
T +7-495-669-67-99
saleru@hikvision.com

Hikvision Korea
T +82-(0)31-731-8817
sales.korea@hikvision.com

Hikvision Poland
T +48-22-460-01-50
info.pl@hikvision.com

Hikvision Indonesia
T +62-21-2933759
Sales.Indonesia@hikvision.com

Hikvision Colombia
sales.colombia@hikvision.com