

DS-2XC6122FWD-IS 2 MP Anti-Corrosion Network Dome Camera



Key Features

- Up to 2 megapixel high resolution
- 120dB Wide Dynamic Range
- Three video streams
- H.265, H.265+, H.264, H.264+
- 6 behavior analyses, 2 exception detections, 1 recognition
- Support on-board storage, up to 128GB
- IR range: 10 m
- DC 12V/PoE
- Anti-Corrosion Standard: WF-2, NEMA 4X, C5-M
- IP67



Specifications

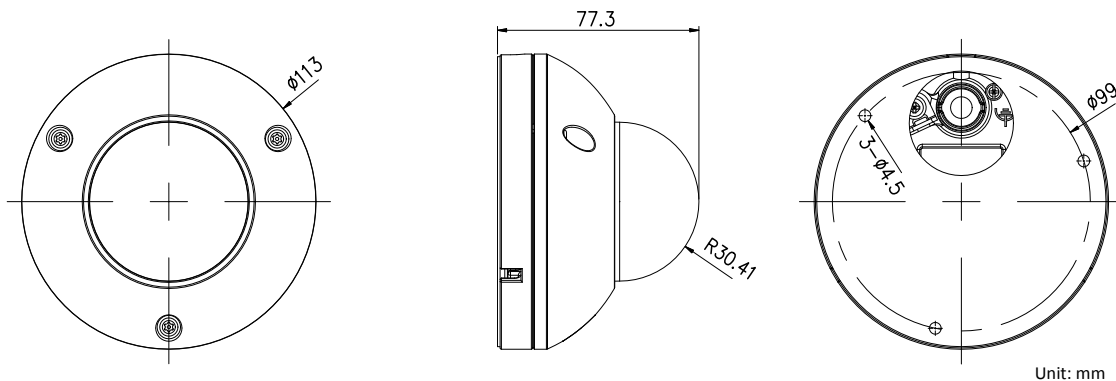
| Camera | |
|--------------------------------|--|
| Image Sensor | 1/2.7" Progressive Scan CMOS |
| Min. Illumination | 0.01Lux @(F1.2,AGC ON) ,0 Lux with IR on 0.028 Lux @(F2.0,AGC ON), 0 Lux with IR on |
| Shutter Speed | 1 s to 1/100,000 s, support slow shutter |
| Lens | 2.8mm, horizontal field of view: 100°, vertical field of view: 53° 4mm, horizontal field of view: 91°, vertical field of view:49° 6mm horizontal field of view: 60°, vertical field of view: 32.5° |
| Lens Mount | M12 |
| Day &Night | IR cut filter |
| DNR | 3D DNR |
| Wide Dynamic Range | 120dB |
| Angle Adjustment | Tilt: 0° to 75°; Pan: -30° to 30°; Rotate: 0° to 360° |
| Compression Standard | |
| Video Compression | Main stream: H.265/H.264 Sub stream: H.265/H.264/MJPEG Third stream: H.265/H.264 |
| H.264 Type | baseline profile/Main Profile/High profile |
| H.264+ | Support |
| H.265 Type | Main profile |
| H.265+ | Support |
| Video Bit Rate | 32 Kbps to 16 Mbps |
| Audio Compression | G.711/G.722.1/G.726/MP2L2/PCM |
| Audio Bit Rate | 64Kbps(G.711)/16Kbps(G.722.1)/16Kbps(G.726)/32-128Kbps(MP2L2) |
| Image | |
| Max. Resolution | 1920 × 1080 |
| Main Stream Max. Frame Rate | 2.8mm lens camera: 50Hz: 25fps (1920 × 1080,1280 × 960,1280 × 720) 60Hz: 24fps (1920 × 1080,1280 × 960,1280 × 720) 4mm and 6mm lens camera: 50Hz: 25fps (1920 × 1080,1280 × 960,1280 × 720) 60Hz: 30fps (1920 × 1080,1280 × 960,1280 × 720) |
| Sub Stream Max. Frame Rate | 2.8mm lens camera: 50Hz: 25fps (704 × 576, 640 × 480, 352 × 288, 320 × 240) 60Hz: 24fps (704 × 480, 640 × 480, 352 × 240, 320 × 240) 4mm and 6mm lens camera: 50Hz: 25fps (704 × 576, 640 × 480, 352 × 288, 320 × 240) 60Hz: 30fps (704 × 480, 640 × 480, 352 × 240, 320 × 240) |
| Third Steam Max. Frame Rate | 2.8mm lens camera: 50Hz: 25fps (1920 × 1080, 1280 × 960, 1280 × 720, 704 × 576, 640 × 480, 352 × 288, 320 × 240) 60Hz: 24fps (1920 × 1080, 1280 × 960, 1280 × 720, 704 × 480, 640 × 480, 352 × 240, 320 × 240) 4mm and 6mm lens camera: 50Hz: 25fps (1920 × 1080, 1280 × 960, 1280 × 720, 704 × 576, 640 × 480, 352 × 288, 320 × 240) 60Hz: 30fps (1920 × 1080, 1280 × 960, 1280 × 720, 704 × 480, 640 × 480, 352 × 240, 320 × 240) |
| Image Enhancement | BLC/3D DNR/Defog |

| | |
|---------------------------|---|
| Image Settings | Rotate mode, saturation, brightness, contrast, etc., adjustable by client software or web browser |
| Region of Interest | Support 4 customized region for each stream, and face dynamic tracking |
| Target Cropping | Support |
| Day/Night Switch | Auto/Schedule/Triggered by Alarm In |
| Picture Overlay | LOGO picture can be overlaid on video with 128 × 128 24bit bmp format |
| Network | |
| Network Storage | Support Micro SD/SDHC/SDXC card (up to 128 GB) local storage and NAS (NFS,SMB/CIFS), ANR |
| Alarm Trigger | Motion detection, tampering alarm, HDD full, HDD error, network disconnected, IP address conflicted, illegal login |
| Protocols | TCP/IP, ICMP, HTTP, HTTPS, FTP, DHCP, DNS, DDNS, RTP, RTSP, RTCP |
| Standard | ONVIF (PROFILE S, PROFILE G), ISAPI |
| General Function | Mirror, anti-flicker, heartbeat, watermark, password protection, privacy mask |
| Interface | |
| Communication Interface | 1 RJ45 10M/100M self-adaptive Ethernet port |
| Alarm | 1 alarm input, 1 alarm output |
| On-board Storage | Built-in Micro SD/SDHC/SDXC slot, up to 128GB |
| Smart Feature-set | |
| Behavior Analysis | Line crossing detection, intrusion detection, region entrance detection, region exiting detection, unattended baggage detection, object removal detection |
| Line Crossing Detection | Cross a pre-defined virtual line |
| Intrusion Detection | Enter and loiter in a pre-defined virtual region |
| Region Entrance Detection | Enter a pre-defined virtual region from the outside place |
| Region Exiting Detection | Exit from a pre-defined virtual region |
| Unattended Baggage | Objects left over in the pre-defined region such as the baggage, purse, dangerous materials |
| Object Removal | Objects removed from the pre-defined region, such as the exhibits on display. |
| Exception Detections | Scene change detection, defocus detection |
| Face Detection | Human face appears in the image can be detected and trigger linkage method |
| General | |
| Operating Conditions | -30°C to +60 °C (-22 °F to +140 °F), Humidity less than 95% (non-condensing) |
| Power Supply | DC 12V, 330mA, terminal block PoE (802.3af, class 3), 0.1A |
| Power Consumption | Max. 5W |
| IR Range | 10 m |
| Housing Material | SUS 316L |
| Anti-Corrosion Standard | WF-2, NEMA 4X, C5-M |
| Ingress Protection | IP67 |
| Dimensions | Camera: Φ 113 × 77.3 mm (4.45" × 3.04") Package: 257 × 167 × 145 mm (10.12" × 6.57" × 5.71") |
| Weight | Camera: 1680 g (3.7 lb.) |

Available Models

DS-2XC6122FWD-IS

Dimension



Accessories



DS-1705ZJ-DM35
Wall mount



DS-1284ZJ-M
Junction box

Distributed by



HIKVISION

Headquarters

No.555 Qianmo Road, Binjiang District,
Hangzhou 310051, China
T +86-571-8807-5998
overseasbusiness@hikvision.com

Hikvision USA
T +1-909-895-0400
sales.usa@hikvision.com

Hikvision Italy
T +39-0438-6902
info.it@hikvision.com

Hikvision Singapore
T +65-6684-4718
sg@hikvision.com

Hikvision Africa
T +27 (10) 0351172
sale.africa@hikvision.com

Hikvision Europe
T +31-23-55-42-770
info.eu@hikvision.com

Hikvision France
T +33(0)1-85-330-450
info.fr@hikvision.com

Hikvision Oceania
T +61-2-8599-4233
salesau@hikvision.com

Hikvision Hong Kong
T +852-2151-1761

Hikvision Middle East
T +971-4-8816086
salesme@hikvision.com

Hikvision Spain
T +34-91-737-16-55
info.es@hikvision.com

Hikvision Canada
T +1-909-895-0400
sales.usa@hikvision.com

Hikvision Russia
T +7-495-669-67-99
saleru@hikvision.com

Hikvision Poland
T +48-22-460-01-50
potand@hikvision.com

Hikvision Korea
T +82-31-731-8841
sales.korea@hikvision.com

Hikvision India
T +91-22-28469900
sales@pramahikvision.com

Hikvision UK
T +01628-902140
support.uk@hikvision.com

Hikvision Brazil
T +55 11 3318-0050
Latam.support@hikvision.com