

DS-K1T671TM-3XF Face Recognition Terminal

DS-K1T671TM-3XF face recognition terminal is a kind of access control device integrated with temperature screening function. It can fast taking skin-surface temperature and upload abnormal temperature event to the center, which can be widely applied in multiple scenarios, such as enterprises, stations, dwellings, factories, schools, campus and so on.



Available Model

DS-K1T671TM-3XF

Features

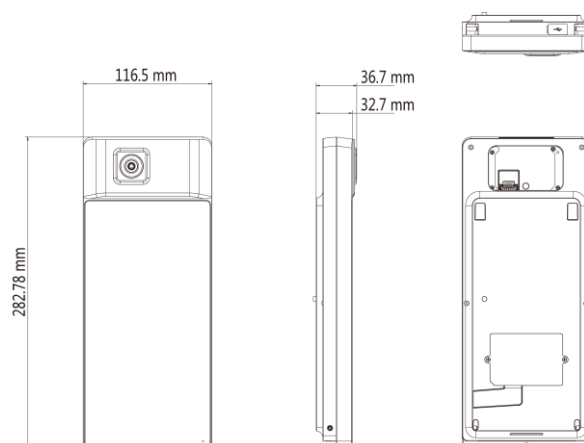
- Supports Vanadium Oxide uncooled sensor to measure target's temperature
 - Temperature measuring range: 30 °C to 45 °C (86 °F to 113 °F), accuracy: ± 0.5 °C
 - Recognition distance: 0.5 to 1.5 m
 - Fast temperature measurement mode: Detects face and takes temperature without identity authentication
 - Multiple authentication modes are available: card and temperature, face and temperature, card and face and temperature, etc
 - Face mask wearing alert: If the recognizing face does not wear a mask, the device will prompt a voice reminder. At the same time, the authentication or attendance is valid
 - Forced mask wearing alert: If the recognizing face does not wear a mask, the device will prompt a voice reminder. At the same time, the authentication or attendance will be failed
 - Displays temperature measurement results on the authentication page
 - Triggers voice prompt when detecting abnormal temperature
 - Configurable door status (open/close) when detecting abnormal temperature
 - Transmits online and offline temperature information to the client software via TCP/IP communication and saves the data on the client software
 - Face recognition duration < 0.2 s/User; face recognition accuracy rate $\geq 99\%$
 - 50,000 face capacity, 50,000 card capacity, and 100,000 event capacity
 - Suggested height for face recognition: between 1.4 m and 1.9 m
 - Supports 6 attendance status, including check in, check out, break in, break out, overtime in, overtime out
 - Connects to external access controller or Wiegand card reader via Wiegand protocol
 - Connects to secure door control unit via RS-485 protocol to avoid the door opening when the terminal is destroyed
- * Biometric recognition products are not 100% applicable to anti-spoofing environments. If you require a higher security level, use multiple authentication modes.**
- * In order to get an accurate temperature, after the device is powered on, you should wait for 90 min to warm the device up.**



Specification

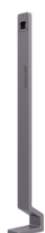
Model		DS-K1T671TM-3XF
Temperature measurement	Temperature range	30 °C to 45 °C (86 °F to 113 °F)
	Sensor	Vanadium Oxide uncooled sensor
	Resolution	120 × 160
	Frame rate	25 fps
	Accuracy	± 0.5 °C, without black body calibration
	Measuring distance	0.5 to 1.5 m
Screen	Size	7-inch
	Type	Touch screen
	Operation method	Touch screen
Camera	Pixel	2 MP
	Lens	Dual-lens
Network	Wired network	Support, 10/100/1000 Mbps self-adaptive
Interface	Network interface	1
	Lock output	1
	Exit button	1
	Door contact input	1
Authentication	Card type	Mifare 1 card
Function	Face anti-spoofing	Support
	Audio prompt	Support
Others	Working temperature	0 °C to 50 °C (32 °F to 122 °F) For temperature measurement: 10 °C to 35 °C (50 °F to 95 °F)
	Working humidity	10 to 90% (No condensing)
	Application environment	Indoor

Dimension



Accessory

DS-KAB671-B





Distributed by



HIKVISION®

Headquarters

No.555 Qianmo Road, Binjiang District,
Hangzhou 310051, China
T +86-571-8807-5998
overseasbusiness@hikvision.com

Hikvision USA

T +1-909-895-0400
sales.usa@hikvision.com

Hikvision Australia

T +61-2-8599-4233
salesau@hikvision.com

Hikvision India

T +91-22-28469900
sales@pramahikvision.com

Hikvision Canada

T +1-866-200-6690
sales.canada@hikvision.com

Hikvision Thailand

T +662-275-9949
sales.thailand@hikvision.com

Hikvision Europe

T +31-23-5542770
sales.eu@hikvision.com

Hikvision Italy

T +39-0438-6902
info.it@hikvision.com

Hikvision Brazil

T +55 11 3318-0050
Latam.support@hikvision.com

Hikvision Turkey

T +90 (216)521 7070- 7074
sales.tr@hikvision.com

Hikvision Malaysia

T +601-7652-2413
sales.my@hikvision.com

Hikvision UK & Ireland

T +01628-902140
sales.uk@hikvision.com

Hikvision South Africa

Tel: +27 (10) 0351172
sale.africa@hikvision.com

Hikvision France

T +33(0)1-85-330-450
info.fr@hikvision.com

Hikvision Kazakhstan

T +7-727-9730667
nikia.panfilov@hikvision.ru

Hikvision Vietnam

T +84-974270888
sales.vt@hikvision.com

Hikvision UAE

T +971-4-4432090
salesme@hikvision.com

Hikvision Singapore

T +65-6684-4718
sg@hikvision.com

Hikvision Spain

T +34-91-737-16-55
info.es@hikvision.com

Hikvision Tashkent

T +99-87-1238-9438
uzb@hikvision.ru

Hikvision Hong Kong

T +852-2151-1761
info.hk@hikvision.com

Hikvision Russia

T +7-495-669-67-99
saleru@hikvision.com

Hikvision Korea

T +82-(0)31-731-8817
sales.korea@hikvision.com

Hikvision Poland

T +48-22-460-01-50
info.pl@hikvision.com

Hikvision Indonesia

T +62-21-2933759
Sales.Indonesia@hikvision.com

Hikvision Colombia

sales.colombia@hikvision.com