

## DS-2DE4415IW-DE (D) 4MP 15× Network IR Speed Dome



Hikvision DS-2DE4415IW-DE 4MP 15× Network IR Speed Dome adopts 1/2.5" progressive scan CMOS chip. With the 15× optical zoom lens, the camera offers more details over expansive areas.

This series of cameras can be widely used for wide ranges of high-definition, such as the rivers, roads, railways, airports, squares, parks, scenic spots, and venues, etc.

### Key Features

- 1/2.5" progressive scan CMOS
- Up to 2560 × 1440@30fps resolution
- Min. illumination:  
Color: 0.005 Lux @(F1.6, AGC ON)  
B/W: 0.001 Lux @(F1.6, AGC ON)  
0 Lux with IR
- 15× optical zoom, 16× digital zoom
- WDR, HLC, BLC, 3D DNR, Defog, EIS, Regional Exposure, Regional Focus
- Up to 100 m IR distance
- 12 VDC & PoE+ (802.3 at, class4)
- Support H.265+/H.265 video compression
- IP66
- ONVIF, ISAPI, and CGI



## Specification

Camera Module	
Image Sensor	1/2.5" progressive scan CMOS
Min. Illumination	Color: 0.005 Lux @(F1.6, AGC ON) B/W: 0.001Lux @(F1.6, AGC ON) 0 Lux with IR
White Balance	Auto/Manual/ATW (Auto-tracking White Balance)/Indoor/Outdoor/Fluorescent Lamp/Sodium Lamp
Gain	Auto/Manual
Shutter Time	50Hz: 1/1 s to 1/30,000 s 60Hz: 1/1 s to 1/30,000 s
Day & Night	IR Cut Filter
Digital Zoom	16×
Privacy Mask	24 programmable privacy masks
Focus Mode	Auto/Semi-automatic/Manual
WDR	120 dB (not supported by full frame rate)
Lens	
Focal Length	5 mm to 75 mm, 15× optical zoom
Zoom Speed	Approx. 2.3 s (optical lens, wide-tele)
Field of View	Horizontal field of view: 53.8° to 4° (wide-tele) Vertical field of view: 31.9° to 2.3° (wide-tele) Diagonal field of view: 60.4° to 4.6° (wide-tele)
Working Distance	10 mm to 1500 mm (wide-tele)
Aperture Range	F1.6 to F2.8
IR	
IR Distance	100 m
Smart IR	Support
PTZ	
Movement Range (Pan)	360° endless
Pan Speed	Configurable, from 0.1°/s to 80°/s, Preset speed: 80°/s
Movement Range (Tilt)	From -15° to 90° (auto-flip)
Tilt Speed	Configurable, from 0.1°/s to 80°/s Preset Speed: 80°/s
Proportional Zoom	Support
Presets	300
Patrol Scan	8 patrols, up to 32 presets for each patrol
Pattern Scan	4 pattern scans, record time over 10 minutes for each scan
Power-off Memory	Support
Park Action	Preset/Pattern Scan/Patrol Scan/Auto Scan/Tilt Scan/Random Scan/Frame Scan/Panorama Scan

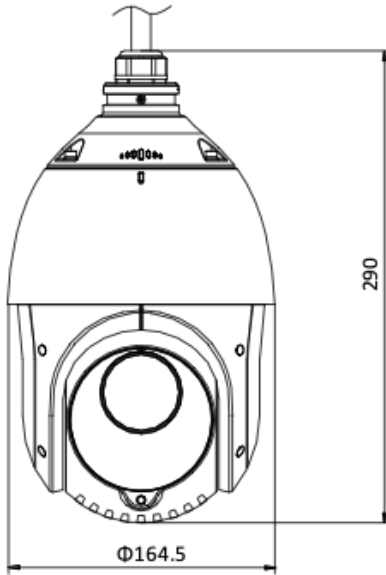
3D Positioning	Support
PTZ Position Display	Support
Preset Freezing	Support
Scheduled Task	Preset/Pattern Scan/Patrol Scan/Auto Scan/Tilt Scan/Random Scan/Frame Scan/Panorama Scan/Dome Reboot/Dome Adjust/Aux Output
<b>Compression Standard</b>	
Video Compression	Main Stream: H.265+/H.265/H.264+/H.264 Sub-stream: H.265/H.264/MJPEG Third Stream: H.265/H.264/MJPEG
H.264 Type	Baseline Profile/Main Profile/High Profile
H.264+	Support
H.265 Type	Main Profile
H.265+	Support
Video Bitrate	256 Kbps to 16384 Kbps
SVC	Support
<b>Smart Features</b>	
Basic Event	Motion Detection, Video Tampering Detection, Exception
Smart Event	Intrusion Detection, Line Crossing Detection, Region Entrance Detection, Region Exiting Detection, Object Removal Detection, Unattended Baggage Detection
Smart Record	ANR (Automatic Network Replenishment), Dual-VCA
ROI	Main stream, sub-stream, and third stream respectively support four fixed areas.
<b>Image</b>	
Max. Resolution	2560 × 1440
Main Stream	50Hz: 25fps (2560 × 1440, 2048 × 1536, 1920 × 1080, 1280 × 960, 1280 × 720) 50fps (1920 × 1080, 1280 × 960, 1280 × 720) 60Hz: 30fps (2560 × 1440, 2048 × 1536, 1920 × 1080, 1280 × 960, 1280 × 720) 60fps (1920 × 1080, 1280 × 960, 1280 × 720)
Sub-Stream	50Hz: 25fps (704 × 576, 640 × 480, 352 × 288) 60Hz: 30fps (704 × 480, 640 × 480, 352 × 240)
Third Stream	50Hz: 25fps (1920 × 1080, 1280 × 960, 1280 × 720, 704 × 576, 640 × 480, 352 × 288) 60Hz: 30fps (1920 × 1080, 1280 × 960, 1280 × 720, 704 × 480, 640 × 480, 352 × 240)
Image Enhancement	HLC/BLC/3D DNR/Defog/EIS/Regional Exposure/Regional Focus
<b>Network</b>	
Network Storage	Built-in memory card slot, support Micro SD/SDHC/SDXC, up to 256 GB; NAS (NPS, SMB/CIFS), ANR
Protocols	IPv4/IPv6, HTTP, HTTPS, 802.1x, Qos, FTP, SMTP, UPnP, SNMP, DNS, DDNS, NTP, RTSP, RTP, TCP/IP, UDP, IGMP, ICMP, DHCP, PPPoE, Bonjour
API	Open-ended, support ONVIF, ISAPI, and CGI, support HIKVISION SDK and Third-Party Management Platform
Simultaneous Live View	Up to 20 channels
User/Host	Up to 32 users 3 levels: Administrator, Operator and User

Security Measures	User authentication (ID and PW), Host authentication (MAC address); HTTPS encryption; IEEE 802.1x port-based network access control; IP address filtering
Client	iVMS-4200, iVMS-4500, iVMS-5200, Hik-Connect
Web Browser	IE 8 to 11, Chrome 31.0 to 44, Firefox 30.0 to 51
<b>Interface</b>	
Network Interface	1 RJ45 10 M/100 M Ethernet, PoE+ (802.3 at, class4)
<b>General</b>	
Power	12 VDC and PoE+ (802.3 at, class4) Max.: 18 W (Max. 7 W for IR)
Working Temperature	-30°C to 65°C (-22°F to 149°F)
Working Humidity	≤ 90%
Protection Level	IP66 Standard, TVS 4000V Lightning Protection, Surge Protection and Voltage Transient Protection
Material	ADC 12, PC, PC+10% GF
Dimensions	Φ 164.5 mm × 290 mm (Φ 6.48" × 11.42")
Weight	Approx. 2 kg (4.41 lb)

**Available Model**

DS-2DE4415IW-DE (D), 12 VDC & PoE+ (802.3 at, class4)

**Dimensions**



Unit: mm



## Accessories

Optional

	DS-1602ZJ	Wall Mounting Bracket
	DS-1602ZJ-corner	Corner Mounting Bracket
	DS-1602ZJ-pole	Vertical Pole Mounting Bracket
	DS-1602ZJ-box	Wall Mounting Bracket with Junction Box
	DS-1671ZJ-SDM9	In-ceiling Mounting Bracket
	DS-1663ZJ	Ceiling Mounting Bracket
	DS-1661ZJ	Pendant Mounting Bracket
	DS-1662ZJ	Pendant Mounting Bracket
	DS-1619ZJ	Gooseneck Mounting Bracket
	DS-1100KI	Network Keyboard
	DS-1005KI	USB Joy-stick



Included

Headquarters

No.55 Tianma Road, Binjiang District,  
Hangzhou, China  
T +86 571 8699 4233  
sales@hikvision.com



DS-1618ZJ

Wall Mounting Bracket

**Hikvision USA**  
T +1-909-895-0400  
sales.usa@hikvision.com

**Hikvision Australia**  
T +61-2-8599-4233  
salesau@hikvision.com

**Hikvision India**  
T +91-22-28469900  
sales@pramahikvision.com

**Hikvision Canada**  
T +1-866-200-6690  
sales.canada@hikvision.com

**Hikvision Thailand**  
T +662-275-9949  
sales.thailand@hikvision.com

**Hikvision Europe**  
T +31-23-5542770  
sales.eu@hikvision.com

**Hikvision Italy**  
T +39-0438-6902  
info.it@hikvision.com

**Hikvision Brazil**  
T +55 11 3318-0050  
Latam.support@hikvision.com

**Hikvision Turkey**  
T +90 (216)521 7070- 7074  
sales.tr@hikvision.com

**Hikvision Malaysia**  
T +601-7652-2413  
sales.my@hikvision.com

**Hikvision UK & Ireland**  
T +01628-902140  
sales.uk@hikvision.com

**Hikvision South Africa**  
Tel: +27 (10) 0351172  
sale.africa@hikvision.com

**Hikvision France**  
T +33(0)1-85-330-450  
info.fr@hikvision.com

**Hikvision Kazakhstan**  
T +7-727-9730667  
nikia.panfilov@hikvision.ru

**Hikvision Vietnam**  
T +84-974270888  
sales.vt@hikvision.com

**Hikvision UAE**  
T +971-4-4432090  
salesme@hikvision.com

**Hikvision Singapore**  
T +65-6684-4718  
sg@hikvision.com

**Hikvision Spain**  
T +34-91-737-16-55  
info.es@hikvision.com

**Hikvision Tashkent**  
T +99-87-1238-9438  
uzb@hikvision.ru

**Hikvision Hong Kong**  
T +852-2151-1761  
info.hk@hikvision.com

**Hikvision Russia**  
T +7-495-669-67-99  
saleru@hikvision.com

**Hikvision Korea**  
T +82-(0)31-731-8817  
sales.korea@hikvision.com

**Hikvision Poland**  
T +48-22-460-01-50  
info.pl@hikvision.com

**Hikvision Indonesia**  
T +62-21-2933759  
Sales.Indonesia@hikvision.com

**Hikvision Colombia**  
sales.colombia@hikvision.com