

## DS-1280ZJ-S(Black)

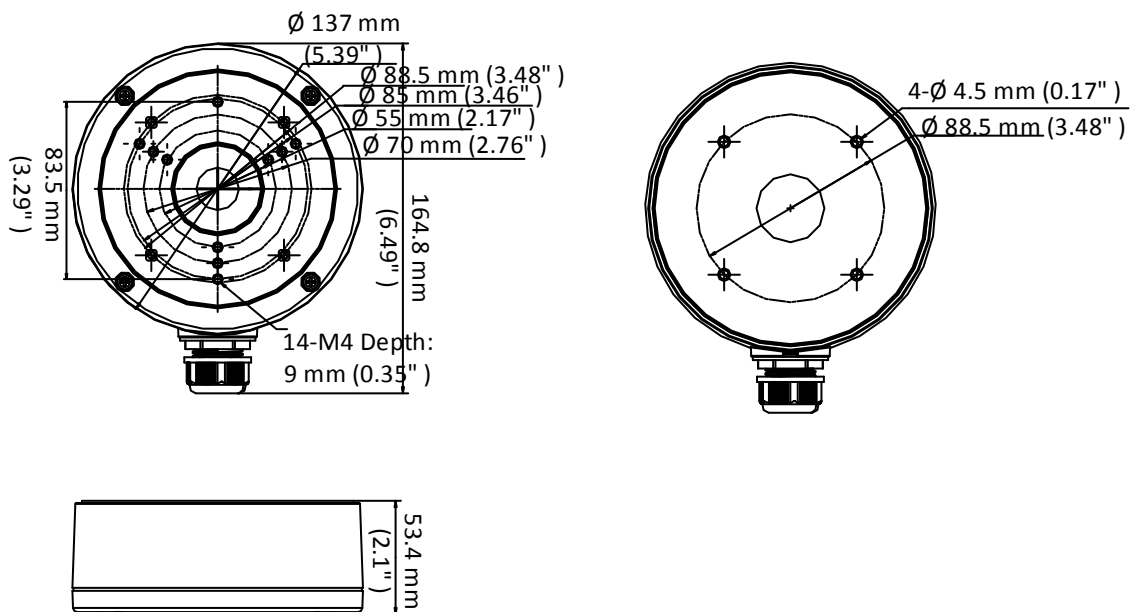
### Junction Box



### Features

- Aluminum alloy with surface spray treatment
- Side outlet, and bottom outlet
- Interchangeable bottom waterproof cover, and side gland nut
- Applies to both indoor conditions, and outdoor conditions

### Dimension



### Available Model

DS-1280ZJ-S(Black)

### Parameter

Model	DS-1280ZJ-S(Black)
Parameters	Junction Box
Appearance	Black
Material	Aluminum Alloy
Dimension	$\varnothing 137 \text{ mm} \times 164.8 \text{ mm} \times 53.4 \text{ mm}$ ( $\varnothing 5.39" \times 6.49" \times 2.1"$ )
Weight	621 g (1.37 lb.)

### Notes

- The junction box should be installed on the flat surface.
- Waterproof rubber is necessary for outdoor application.
- The wall must be capable of supporting at least 3 times as much as the total weight of the camera, and the mount.
- The maximum load capacity of the junction box is 4.5 kg (9.9 lb.).