

## DS-2XS6A25G0-I/CH20S40

### EXIR Fixed Bullet Solar Power 4G Network Camera Kit



It can be used in the areas that are not suitable for laying wired network and electric supply lines, or used for the scenes that feature tough environment and have high demanding for device stability. It can be used for monitoring the farms, electric power cables, water and river system, oil pipelines and key forest areas. It also can be used in the temporary monitoring scenes, such as the large-scale competitions, the sudden public activity, the temporary traffic control and the city construction.

- High quality imaging with 2 MP(1920 × 1080 @30 fps) resolution
- Clear imaging against strong back light due to 120 dB true WDR technology
- The camera battery can work up to seven days in rainy or cloudy days if it is fully charged
- 40 W photovoltaic panel, 20 Ah chargeable lithium battery
- Support battery management, battery display, battery high-low temperature protection, charge-discharge protection, low-battery sleep protection and remote wakeup
- LTE-TDD/LTE-FDD/WCDMA/GSM 4G wireless network transmission, support Micro SIM card
- Camera: Water and dust resistant (IP67)



## ▪ Specification

Camera	
Image Sensor	1/2.8" Progressive Scan CMOS
Min. Illumination	Color: 0.004 Lux @ (F1.4, AGC ON) , B/W: 0.002 Lux @ (F1.4, AGC ON), 0 Lux with IR on
Shutter Speed	1 s to 1/100,000 s
Slow Shutter	Yes
P/N	P/N
Wide Dynamic Range	120 dB
Day & Night	IR cut filter
Lens	
Lens Type	Fixed Focus Lens
Lens Type & FOV	2.8 mm @F1.4: Horizontal FOV: 107°, vertical FOV: 57°, diagonal FOV: 128° 4 mm @F1.4: Horizontal FOV: 86°, vertical FOV: 46°, diagonal FOV: 102° 8 mm @F1.6: Horizontal FOV: 41°, vertical FOV: 22°, diagonal FOV: 47°
Lens Mount	M12
DORI	
DORI	2.8 mm: D 44 m / O 17.5 m / R 9 m / I 4.5 m 4 mm: D 53 m / O 21 m / R 11 m / I 5 m 8 mm: D 110 m / O 44 m / R 22 m / I 11 m
Illuminator	
IR Range	Up to 30 m
Wavelength	850 nm
Smart Supplement Light	Yes
Video	
Max. Resolution	1920 × 1080
Main Stream	50Hz: 25fps (1920 × 1080, 1280 × 960, 1280 × 720) 60Hz: 30fps (1920 × 1080, 1280 × 960, 1280 × 720)
Sub-Stream	50Hz: 25fps (704 × 576, 640 × 480) 60Hz: 30fps (704 × 480, 640 × 480)
Third Stream	50Hz: 1fps (1280 × 720, 640 × 480) 60Hz: 1fps (1280 × 720, 640 × 480)
Video Compression	Main stream: H.265+/H.265/H.264+/ H.264 Sub-stream: H.265/H.264/MJPEG Third stream: H.265/H.264
Video Bit Rate	32 Kbps to 8 Mbps
H.264 Type	Baseline Profile/Main Profile/High Profile
H.265 Type	Main Profile
H.264+	Main Stream supports
H.265+	Main Stream supports
Bit Rate Control	CBR/VBR
Stream Type	Main stream/Sub-stream/third stream
Scalable Video Coding (SVC)	H.265 and H.264 support

Region of Interest (ROI)	4 fixed regions for each stream
<b>Network</b>	
Simultaneous Live View	Up to 6 channels
API	Open Network Video Interface (PROFILE S, PROFILE G, PROFILE T), ISAPI, SDK, Ehome
Protocols	TCP/IP, ICMP, HTTP, HTTPS, FTP, SFTP, DHCP, DNS, DDNS, RTP, RTSP, RTCP, NTP, UPnP, SMTP, SNMP, IGMP, 802.1X, QoS, IPv6, UDP, Bonjour, SSL/TLS
User/Host	Up to 32 users. 3 user levels: administrator, operator and user
Security	Password protection, complicated password, HTTPS encryption, 802.1X authentication (EAP-TLS, EAP-LEAP, EAP-MD5), watermark, IP address filter, basic and digest authentication for HTTP/HTTPS, WSSE and digest authentication for Open Network Video Interface, RTP/RTSP OVER HTTPS, Control Timeout Settings, TLS 1.2
Network Storage	microSD/SDHC/SDXC card (256 GB) local storage, and NAS (NFS, SMB/CIFS), auto network replenishment (ANR) Together with high-end Hikvision memory card, memory card encryption and health detection are supported.
Client	iVMS-4200, Hik-Connect, Hik-Central
Web Browser	Plug-in required live view: IE8+ Plug-in free live view: Chrome 57.0+, Firefox 52.0+, Safari 11+ Local service: Chrome 41.0+, Firefox 30.0+
<b>4G</b>	
4G Frequency	LTE-TDD: Band38/40/41 ; LTE-FDD: Band1/3/5/7/8/20/28 ; WCDMA: Band1/5/8 GSM: Band3/5/8
4G Standard	LTE-TDD/LTE-FDD/WCDMA/GSM
<b>Image</b>	
Smart IR	The IR LEDs on camera should support Smart IR function to automatically adjust power to avoid image overexposure.
Day/Night Switch	Day, Night, Auto, Schedule
Target Cropping	Yes
Picture Overlay	LOGO picture can be overlaid on video with 128 × 128 24bit bmp format
Image Enhancement	BLC, HLC, 3D DNR, Defog
Image Parameters Switch	Yes
Image Settings	Rotate mode, saturation, brightness, contrast, sharpness, gain, white balance adjustable by client software or web browser
SNR	≥52 dB
Privacy Mask	4 regions of privacy mask
<b>Interface</b>	
RS-485	1 RS-485(half duplex)
On-board Storage	Built-in micro SD slot, up to 256GB
Hardware Reset	Yes
Communication Interface	RJ45 10M/100M self-adaptive Ethernet port
4G	micro SIM card
<b>Event</b>	
Basic Event	Motion detection, video tampering alarm, exception (network disconnected, IP address conflict, illegal login, HDD full, HDD error)

Smart Event	<p>Line Crossing Detection, up to 4 regions configurable</p> <p>Intrusion detection, up to 4 regions configurable</p> <p>Region entrance detection, up to 4 regions configurable</p> <p>Region exiting detection, up to 4 regions configurable</p> <p>Unattended baggage detection, up to 4 regions configurable</p> <p>Object removal detection, up to 4 regions configurable,</p> <p>Scene change detection</p> <p>The smart events are only supported in full power mode.</p>
<b>General</b>	
Linkage Method	<p>Upload to FTP/NAS/memory card, notify surveillance center, send email, trigger recording, trigger capture</p> <p>Trigger recording: memory card, network storage, pre-record and post-record</p> <p>Trigger captured pictures uploading: FTP, SFTP, HTTP, NAS, Email</p> <p>Trigger notification: HTTP, ISAPI, Email</p>
Online Upgrade	Yes
Dual Backup	Yes
Firmware Version	V5.5.111
Web Client Language	<p>33 languages</p> <p>English, Russian, Estonian, Bulgarian, Hungarian, Greek, German, Italian, Czech, Slovak, French, Polish, Dutch, Portuguese, Spanish, Romanian, Danish, Swedish, Norwegian, Finnish, Croatian, Slovenian, Serbian, Turkish, Korean, Traditional Chinese, Thai, Vietnamese, Japanese, Latvian, Lithuanian, Portuguese (Brazil), Ukrainian</p>
General Function	Anti- flicker, 3 streams heartbeat, mirror, privacy masks, flash log, password reset via e-mail, pixel counter
Software Reset	Yes
Storage Conditions	-30 °C to 60 °C. Humidity 95% or less (non-condensing)
Startup and Operating Conditions	-15 °C to 55 °C. Humidity 95% or less (non-condensing)
Power Supply	12 VDC ± 20% ;
Power Consumption and Current	<p>1. The average power consumption of the 24 hours is 1.76 W (4G transmission is excluded, 50% illumination).</p> <p>2. On rainy or cloudy day, the camera battery life is up to 5.2 days if it has been full charged (if the camera works continuously according to the 24-hour average power consumption).</p> <p>3. The daily effective sunlight is 1.77 hour and the camera can be online always (if it works continuously according to the 24-hour average power consumption).</p>
Power Interface	Ø5.5 mm coaxial power plug
Camera Material	Front cover: metal; camera body: plastic
Screw Material	SUS304
Camera Dimension	760 × 732.6 × 586.9 mm (29.9" × 28.8" × 23.1") (Max. size of the camera after it is completely assembled)
Package Dimension	826 × 469 × 444 mm (32.5" × 18.5" × 17.5")
Camera Weight	Approx. 12964g (28.58 lb.)
With Package Weight	Approx. 16861g (37.17 lb.)
<b>Battery</b>	
Battery Type	Lithium

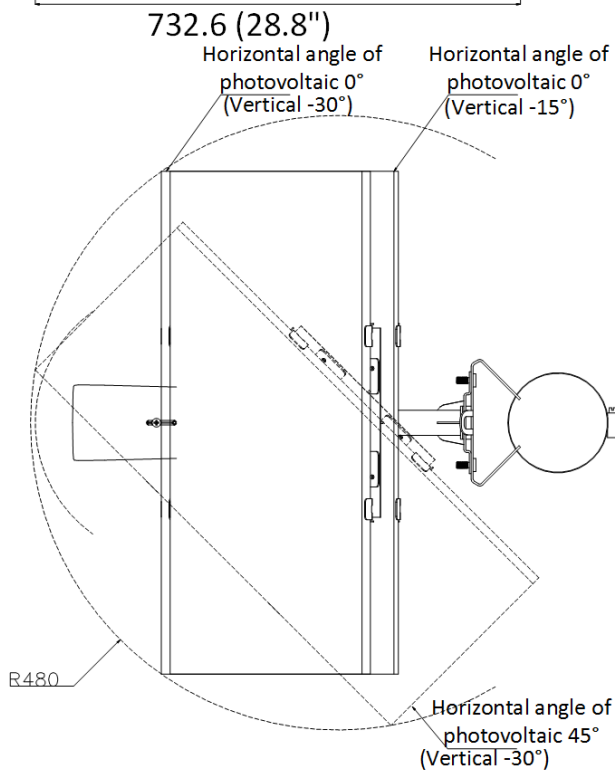
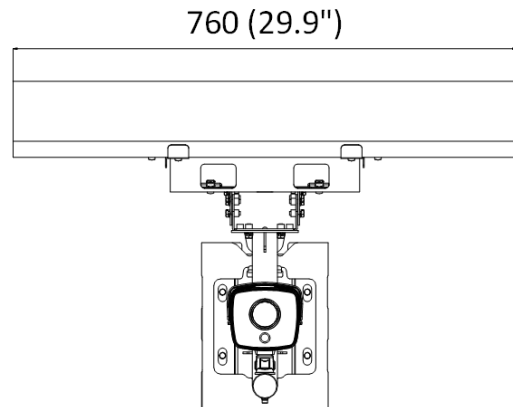
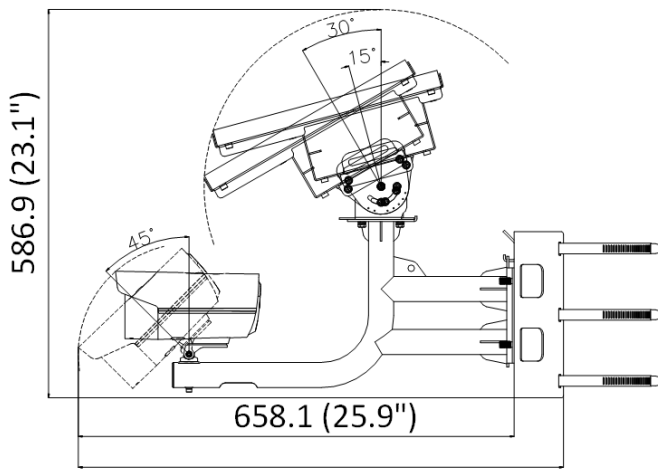
Capacity	20 Ah
Max. Charging Voltage	12.6 V
Operating Temperature	-5 °C to 60 °C (23 °F to 140 °F)
Battery Voltage	10.8 V
Battery Life	More than 800 cycles
<b>Approval</b>	
Class	Class B
EMC	CE-EMC (EN 55032: 2015, EN 61000-3-2: 2014, EN 61000-3-3: 2013, EN 50130-4: 2011 +A1: 2014); RCM (AS/NZS CISPR 32: 2015);
RF	CE-RED (EN 301489-1 V2.2.3; EN 301489-52 V1.1.0; EN 62311:2008); ICASA (EN 301 489-1 V2.2.3; EN 301 489-52 V1.1.0;EN 62311:2008)
Safety	CB (IEC 60950-1:2005 + Am 1:2009 + Am 2:2013;IEC 62368-1:2014); CE-LVD (EN 60950-1:2005 + Am 1:2009 + Am 2:2013;EN 62368-1:2014+A11:2017);
Environment	CE-RoHS (2011/65/EU); WEEE (2012/19/EU); Reach (Regulation (EC) No 1907/2006)
Protection	Camera: IP67(IEC 60529-2013)

*\*You are recommended to charge the solar panel for 12 hours before the installation in case the camera cannot start up due to the low battery.*

#### ▪ Available Model

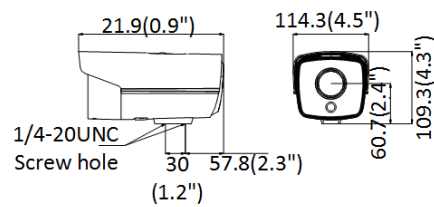
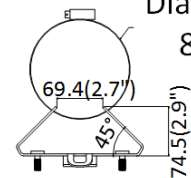
DS-2XS6A25G0-I/CH20S40

Dimension



Pole Mount

Diameter range:  
80~200mm



 Camera  
Direction

Unit: mm (inch)

Distributed by

**HIKVISION®****Headquarters**

No.555 Qianmo Road, Binjiang District,  
Hangzhou 310051, China  
T +86-571-8807-5998  
overseasbusiness@hikvision.com

**Hikvision USA**  
T +1-909-895-0400  
sales.usa@hikvision.com

**Hikvision Australia**  
T +61-2-8599-4233  
salesau@hikvision.com

**Hikvision India**  
T +91-22-28469900  
sales@pramahikvision.com

**Hikvision Canada**  
T +1-866-200-6690  
sales.canada@hikvision.com

**Hikvision Thailand**  
T +662-275-9949  
sales.thailand@hikvision.com

**Hikvision Europe**  
T +31-23-5542770  
sales.eu@hikvision.com

**Hikvision Italy**  
T +39-0438-6902  
info.it@hikvision.com

**Hikvision Brazil**  
T +55 11 3318-0050  
Latam.support@hikvision.com

**Hikvision Turkey**  
T +90 (216)521 7070- 7074  
sales.tr@hikvision.com

**Hikvision Malaysia**  
T +601-7652-2413  
sales.my@hikvision.com

**Hikvision UK & Ireland**  
T +01628-902140  
sales.uk@hikvision.com

**Hikvision South Africa**  
Tel: +27 (10) 0351172  
sale.africa@hikvision.com

**Hikvision France**  
T +33(0)1-85-330-450  
info.fr@hikvision.com

**Hikvision Kazakhstan**  
T +7-727-9730667  
nikia.panfilov@hikvision.ru

**Hikvision Vietnam**  
T +84-974270888  
sales.vt@hikvision.com

**Hikvision UAE**  
T +971-4-4432090  
salesme@hikvision.com

**Hikvision Singapore**  
T +65-6684-4718  
sg@hikvision.com

**Hikvision Spain**  
T +34-91-737-16-55  
info.es@hikvision.com

**Hikvision Tashkent**  
T +99-87-1238-9438  
uzb@hikvision.ru

**Hikvision Hong Kong**  
T +852-2151-1761  
info.hk@hikvision.com

**Hikvision Russia**  
T +7-495-669-67-99  
saleru@hikvision.com

**Hikvision Korea**  
T +82-(0)31-731-8817  
sales.korea@hikvision.com

**Hikvision Poland**  
T +48-22-460-01-50  
info.pl@hikvision.com

**Hikvision Indonesia**  
T +62-21-2933759  
Sales.Indonesia@hikvision.com

**Hikvision Colombia**  
sales.colombia@hikvision.com