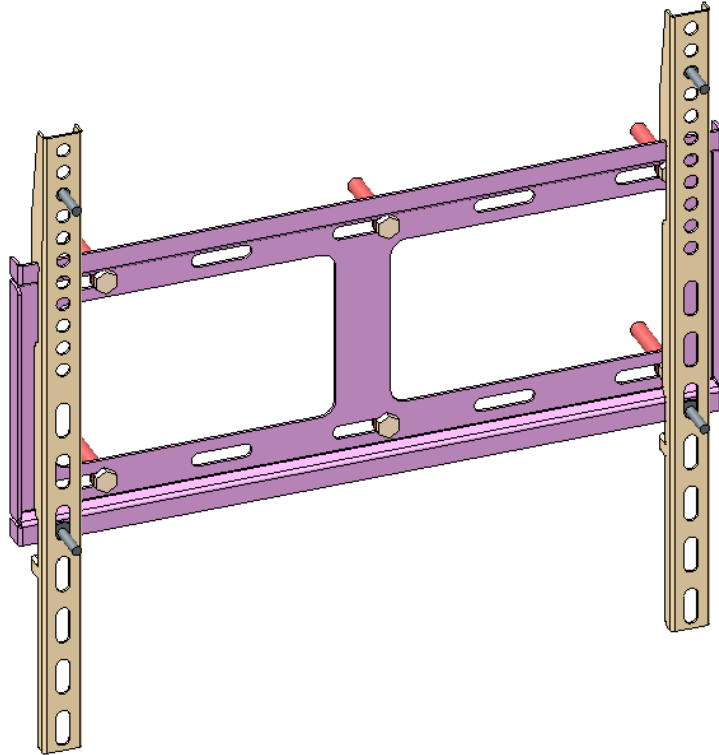


DS-DM1932W

19"/22"/32" Monitor Display Wall-mounted Bracket



Key Features

- Wall-mounted Bracket for 19"/22"/32" Monitor(Suitable model shown in the end)
- Solid Steel structure, Prevent screen bend or twist
- Cold-rolled Steel Plate(SPCC)

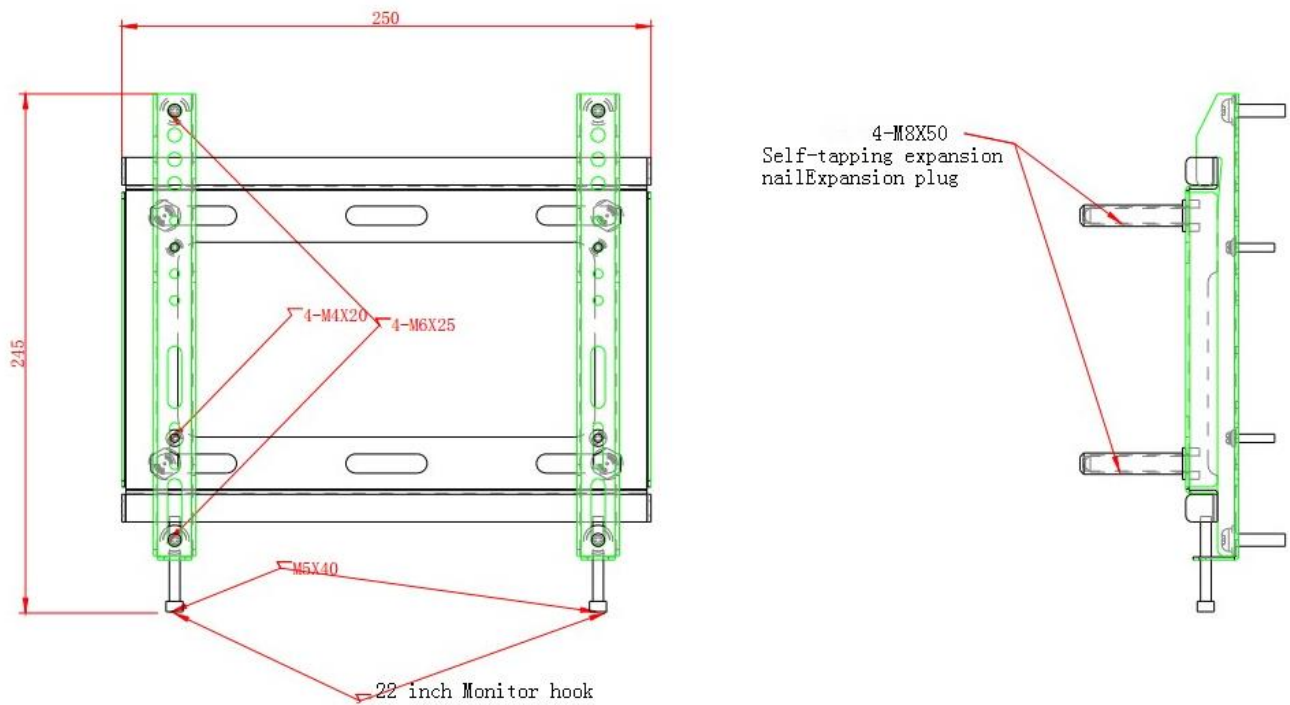
Specification

Name	DS-DM1932W
Appearance	Hikvision Black
Material	Cold-rolled Steel Plate(SPCC)
Dimension(WxH)	250mmx245mm
Weight	1.2 kg

Order Model and Code:

DS-DM1932W | 190115892

Dimensions



Suitable Monitor Model

- DS-D5019QE
- DS-D5019QE-B
- DS-D5022QE-B
- DS-D5022FC
- DS-D5032FC
- DS-D5032FL