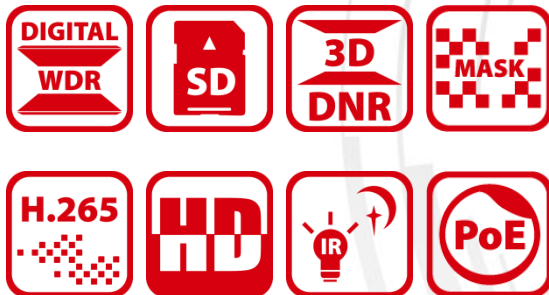


### DS-2PT3326IZ-DE3 (2.8-12mm) Triple-Directional PanoVu Mini Camera with PTZ



#### Overview

Hikvision DS-2PT3326IZ-DE3 (2.8-12mm) Triple-Directional PanoVu Mini Camera with PTZ, with the integration design, is able to capture 360° images with the panoramic cameras as well as close-up images with the PTZ camera.

#### System Functions

- 3-ch panoramic images in different directions and 1-ch close-up image
- Support PTZ linkage
- 1-ch audio input and 1-ch audio output
- Support H.265 video compression
- Built-in memory card slot, support Micro SD/SDHC/SDXC, up to 256 GB
- Open-ended API, support ONVIF, ISAPI, and CGI, support HIKVISION SDK and Third-Party Management Platform
- Up to 10 m IR (radius)
- Support Hik-Connect

#### Panoramic Camera

- Three 1/2.8" progressive scan CMOS
- 3-ch 1920 × 1080@30fps resolution
- Min. illumination:  
Color: 0.05 Lux @(F2.0, AGC ON)  
B/W: 0.01 Lux @(F2.0, AGC ON)  
0 Lux with IR
- Support H.265 video compression
- Horizontal FOV: 128.5° × 3

#### PTZ Camera

- 1/2.8" progressive scan CMOS
- Up to 1920 × 1080@30fps resolution
- Min. illumination:  
Color: 0.05 Lux @(F2.0, AGC ON)  
B/W: 0.01 Lux @(F2.0, AGC ON)  
0 Lux with IR
- Support H.265 video compression
- 4× optical zoom, 8× digital zoom



## DORI

The DORI (detect, observe, recognize, identify) distance gives the general idea of the camera ability to distinguish persons or objects within its field of view.

It is calculated based on the camera sensor specification and the criteria given by EN 62676-4: 2015.

DORI	Detect	Observe	Recognize	Identify
Definition	25 px/m	63 px/m	125 px/m	250 px/m
[Panoramic Camera] Distance (Tele)	26.7 m (87.6 ft)	10.6 m (34.8 ft)	5.3 m (17.4 ft)	2.7 m (8.9 ft)
[PTZ Camera] Distance (Tele)	160.0 m (524.9 ft)	63.5 m (208.3 ft)	32.0 m (105.0 ft)	16.0 m (52.5 ft)

## Specification

Panoramic Camera	
Image Sensor	Three 1/2.8" progressive scan CMOS
Min. Illumination	Color: 0.05 Lux @(F2.0, AGC ON) B/W: 0.01 Lux @(F2.0, AGC ON) 0 Lux with IR
Shutter Time	50 Hz: 1/25 s to 1/30,000 s 60 Hz: 1/30 s to 1/30,000 s
Day & Night	IR Cut Filter
Gain	Auto/Manual
WDR	Digital WDR
Smart Image Enhancement	HLC/BLC/3D DNR/Regional Exposure
White Balance	Auto/Manual/ATW (Auto-Tracking White Balance)/Indoor/Outdoor/Fluorescent Lamp/Sodium Lamp
Privacy Mask	4 × 3 programmable privacy masks
Focal Length	2 mm
Aperture Range	F2.0
FOV	Horizontal field of view: 128.5° × 3 Vertical field of view: 75.7° Diagonal field of view: 144°
PTZ Camera	
Image Sensor	1/2.8" progressive scan CMOS
Min. Illumination	Color: 0.05 Lux @(F2.0, AGC ON) B/W: 0.01 Lux @(F2.0, AGC ON) 0 Lux with IR
Shutter Time	50 Hz: 1/25 s to 1/30,000 s 60 Hz: 1/30 s to 1/30,000 s
Day & Night	IR Cut Filter
Gain	Auto/Manual
WDR	Digital WDR
Smart Image Enhancement	HLC/BLC/3D DNR/Regional Exposure/Regional Focus
White Balance	Auto/Manual/ATW (Auto-Tracking White Balance)/Indoor/Outdoor/Fluorescent Lamp/Sodium Lamp
Privacy Mask	8 programmable privacy masks
Digital Zoom	8×
Focus Mode	Semi-automatic/Manual
Focal Length	2.8 mm to 12 mm, 4× optical zoom
Zoom Speed	Approx.5.4 s (optical, wide - tele)
FOV	Horizontal field of view: 120° to 56.6° (wide - tele) Vertical field of view: 61.8° to 31.7° (wide - tele) Diagonal field of view: 149° to 65° (wide - tele)

Min. Working Distance	10 mm to 1500 mm (wide - tele)
Aperture Range	F2.0 to F2.4
Pan and Tilt Range	Pan: 0° to 350°; Tilt: 0° to 90°
Pan and Tilt Speed	Pan speed: 0.1°/s to 30°/s (configurable), preset speed: 30°/s Tilt speed: 0.1°/s to 30°/s (configurable), preset speed: 30°/s
Proportional Zoom	Support
Preset Number	300
Power-off Memory	Support
PTZ Status Display	Support
Preset Freezing	Support
Scheduled Task	Preset/Dome Reboot/Dome Adjust
Dual-VCA	Support
Smart Event Detection	Audio Exception Detection, Intrusion Detection, Line Crossing Detection
<b>System</b>	
IR	Up to 10 m IR (radius)
PTZ Linkage	Support
SVC	Support
ROI	Main stream and sub-stream respectively supports eight fixed areas.
Video Compression (Sub-stream enabled)	Panoramic camera: Main stream: H.265/H.264 Sub-stream: H.265/H.264 H.264 with Main Profile/High Profile, H.265 with Main Profile PTZ camera: Main stream: H.265/H.264 Sub-stream: H.265/H.264/MJPEG H.264 with Main Profile/High Profile, H.265 with Main Profile
Video Compression (Sub-stream not enabled)	Panoramic camera: Main stream: H.265/H.264 H.264 with Main Profile/High Profile, H.265 with Main Profile PTZ camera: Main stream: H.265/H.264/MJPEG H.264 with Main Profile/High Profile, H.265 with Main Profile
Video Bitrate	32 Kbps to 8192 Kbps
Audio Compression	G.711alaw/G.711ulaw/G.722.1/G.726/MP2L2
Audio Bitrate	G.711alaw/G.711ulaw: 64 Kbps G.722.1/G.726: 16 Kbps MP212: 32 Kbps/64 Kbps/128 Kbps
Resolution (Sub-stream enabled)	Panoramic camera: Main stream: 50 Hz: 20 fps (1920 × 1080, 1280 × 960, 1280 × 720) 60 Hz: 20 fps (1920 × 1080, 1280 × 960, 1280 × 720) Sub-stream: 50 Hz: 20 fps (704 × 576, 640 × 480, 352 × 288) 60 Hz: 20 fps (704 × 480, 640 × 480, 352 × 240) PTZ camera: Main stream: 50 Hz: 20 fps (1920 × 1080, 1280 × 960, 1280 × 720) 60 Hz: 20 fps (1920 × 1080, 1280 × 960, 1280 × 720) Sub-stream: 50 Hz: 20 fps (704 × 576, 640 × 480, 352 × 288) 60 Hz: 20 fps (704 × 480, 640 × 480, 352 × 240)


Resolution (Sub-stream not enabled)	Panoramic camera: Main stream: 50 Hz: 25 fps (1920 × 1080, 1280 × 960, 1280 × 720, 704 × 576, 640 × 480, 352 × 288) 60 Hz: 30 fps (1920 × 1080, 1280 × 960, 1280 × 720, 704 × 480, 640 × 480, 352 × 240) PTZ camera: Main stream: 50 Hz: 25 fps (1920 × 1080, 1280 × 960, 1280 × 720, 704 × 576, 640 × 480, 352 × 288) 60 Hz: 30 fps (1920 × 1080, 1280 × 960, 1280 × 720, 704 × 480, 640 × 480, 352 × 240)
Basic Event Detection	Motion Detection, Video Tampering Detection, Exception
<b>Network</b>	
Smart Record	ANR (Automatic Network Replenishment)
Network Storage	Built-in memory card slot, support Micro SD/SDHC/SDXC, up to 256 GB
Protocols	IPv4/IPv6, HTTP, HTTPS, 802.1x, Qos, FTP, SMTP, UPnP, SNMP, DNS, DDNS, NTP, RTSP, RTCP, RTP, TCP/IP, DHCP, PPPoE, Bonjour
API	Open-ended, support ONVIF, ISAPI, and CGI, support HIKVISION SDK and Third-Party Management Platform
Simultaneous Live View	Up to 4 × 4 channels
User/Host	Up to 32 users 3 levels: Administrator, Operator and User
Security Measures	User authentication (ID and PW), Host authentication (MAC address); HTTPS encryption; IEEE 802.1x port-based network access control; IP address filtering
Client	iVMS-4200, iVMS-4500, iVMS-5200, Hik-Connect
Web Browser	IE 8 to 11, Chrome 31.0 to 44, Firefox 30.0 to 51
<b>Interface</b>	
Network Interface	1 RJ45 10 M/100 M Ethernet
Audio Interface	1-ch audio input and 1-ch audio output
<b>General</b>	
Power	12 VDC, 2.0 A and PoE (802.3at), 42.5 to 57 VDC, 0.6 A, Class4 Max.24 W (Max. 6 W for IR)
Working Temperature	-10°C to 50°C (14°F to 122°F)
Working Humidity	≤ 90%
Protection Level	TVS 2000V Lightning Protection, Surge Protection and Voltage Transient Protection
Material	PC + ABS & Aluminum alloy
Dimensions	Φ 183 mm × 133.2 mm (Φ 7.20" × 5.24")
Weight	Approx. 0.9 kg (1.98 lb)

## ▪ Typical Application

Hikvision products are classified into three levels according to their anti-corrosion performance. Refer to the following description to choose for your using environment.

This model has NO SPECIFIC PROTECTION.

Level	Description
Top-level protection	Hikvision products at this level are equipped for use in areas where professional anti-corrosion protection is a must. Typical application scenarios include coastlines, docks, chemical plants, and more.

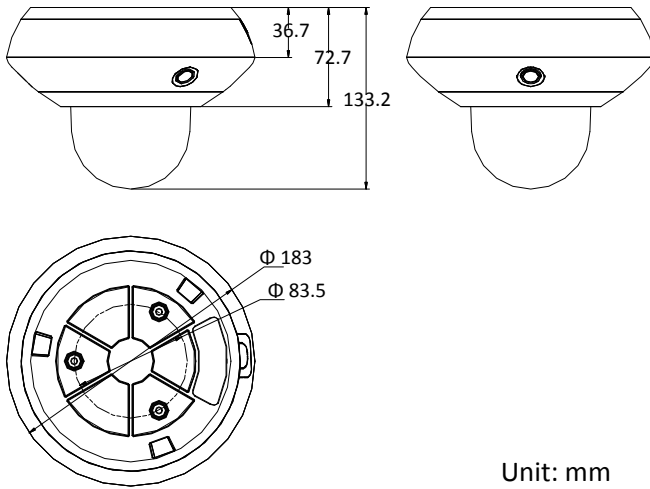
A decorative graphic on the left side of the page, consisting of several overlapping, semi-transparent geometric shapes (triangles and polygons) in shades of gray, creating a modern, abstract design.

Moderate protection	Hikvision products at this level are equipped for use in areas with moderate anti-corrosion demands. Typical application scenarios include coastal areas about 2 kilometers (1.24 miles) away from coastlines, as well as areas affected by acid rain.
No specific protection	Hikvision products at this level are equipped for use in areas where no specific anti-corrosion protection is needed.

## Order Model

DS-2PT3326IZ-DE3 (2.8-12mm), 12 VDC & PoE (802.3at, class 4)

## Dimensions



Unit: mm

## Accessories



DS-1294ZJ-TRL

Wall Mounting Bracket



Distributed by

DS-1271ZJ-PT10

Pendant Mounting Bracket

# HIKVISION®

### Headquarters

No.555 Qianmo Road, Binjiang District,  
Hangzhou 310051, China  
T +86-571-8807-5998  
overseasbusiness@hikvision.com

**Hikvision USA**  
T +1-909-895-0400  
sales.usa@hikvision.com

**Hikvision Europe**  
T +31-23-5542770  
sales.eu@hikvision.com

**Hikvision UK & Ireland**  
T +01628-902140  
sales.uk@hikvision.com

**Hikvision UAE**  
T +971-4-4432090  
salesme@hikvision.com

**Hikvision Russia**  
T +7-495-669-67-99  
saleru@hikvision.com

**Hikvision Australia**  
T +61-2-8599-4233  
salesau@hikvision.com

**Hikvision Italy**  
T +39-0438-6902  
info.it@hikvision.com

**Hikvision South Africa**  
Tel: +27 (10) 0351172  
sale.africa@hikvision.com

**Hikvision Singapore**  
T +65-6684-4718  
sg@hikvision.com

**Hikvision Korea**  
T +82-(0)31-731-8817  
sales.korea@hikvision.com

**Hikvision India**  
T +91-22-28469900  
sales@pramahikvision.com

**Hikvision Brazil**  
T +55 11 3318-0050  
Latam.support@hikvision.com

**Hikvision France**  
T +33(0)1-85-330-450  
info.fr@hikvision.com

**Hikvision Spain**  
T +34-91-737-16-55  
info.es@hikvision.com

**Hikvision Poland**  
T +48-22-460-01-50  
info.pl@hikvision.com

**Hikvision Canada**  
T +1-866-200-6690  
sales.canada@hikvision.com

**Hikvision Turkey**  
T +90 (216)521 7070- 7074  
sales.tr@hikvision.com

**Hikvision Kazakhstan**  
T +7-727-9730667  
nikia.panfilov@hikvision.ru

**Hikvision Tashkent**  
T +99-87-1238-9438  
uzb@hikvision.ru

**Hikvision Indonesia**  
T +62-21-2933759  
Sales.Indonesia@hikvision.com

**Hikvision Thailand**  
T +662-275-9949  
sales.thailand@hikvision.com

**Hikvision Malaysia**  
T +601-7652-2413  
sales.my@hikvision.com

**Hikvision Vietnam**  
T +84-974270888  
sales.vt@hikvision.com

**Hikvision Hong Kong**  
T +852-2151-1761  
info.hk@hikvision.com

**Hikvision Colombia**  
sales.colombia@hikvision.com