

Diagram References

1 Appearance
 ① Screen ② Microphone ③ Debugging Port ④ Network Interface
 ⑤ Loudspeaker ⑥ TF Card Slot ⑦ Alarm Terminal ⑧ Reserved
 ⑨ Power Terminal
 Note:
 • The appearance of the device varies according to different models. Refers to the actual device for detailed information.
 • The debugging port is used for debugging only.

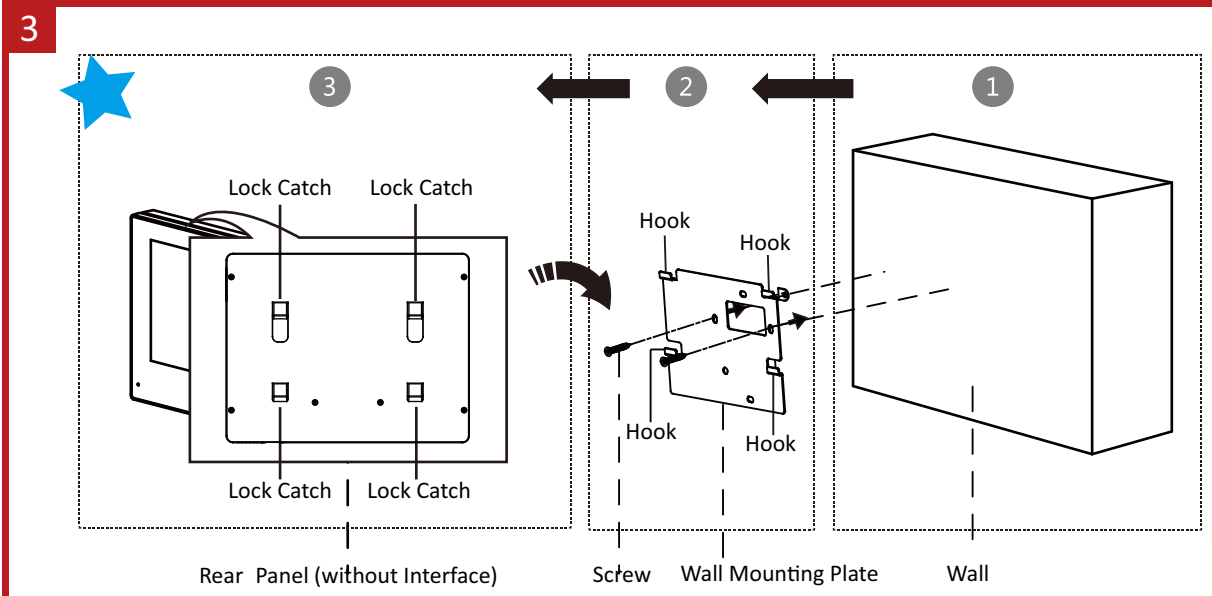
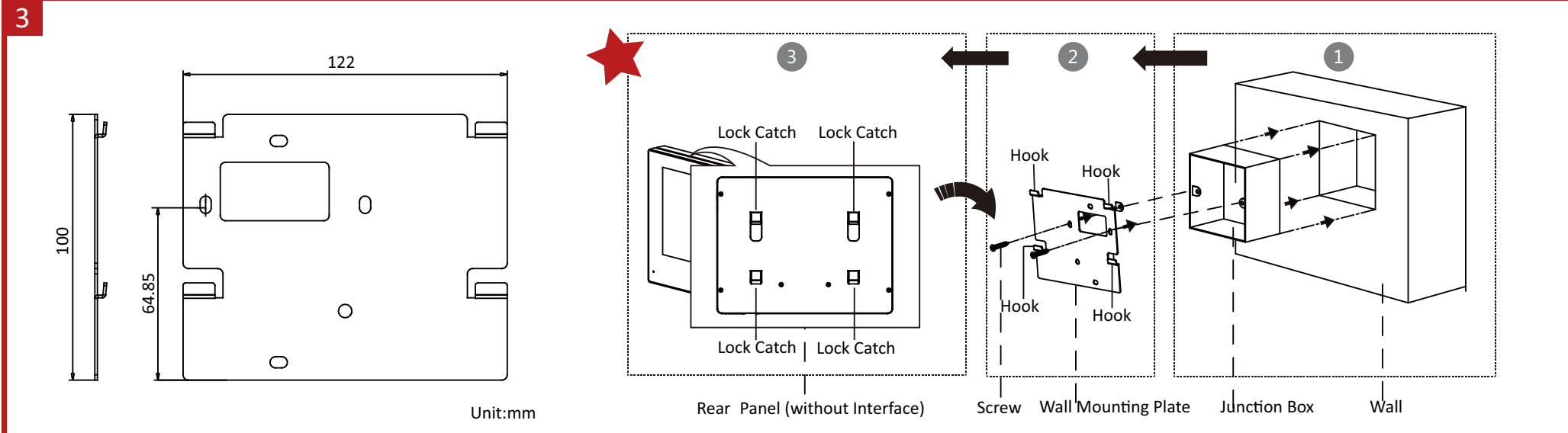
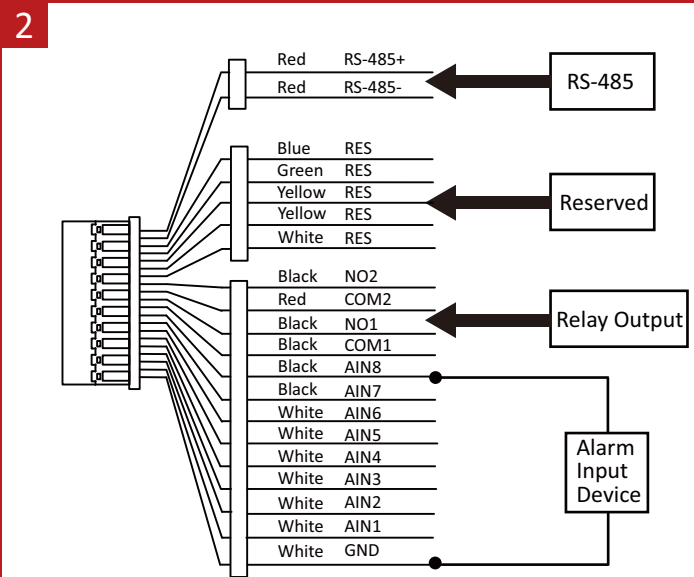
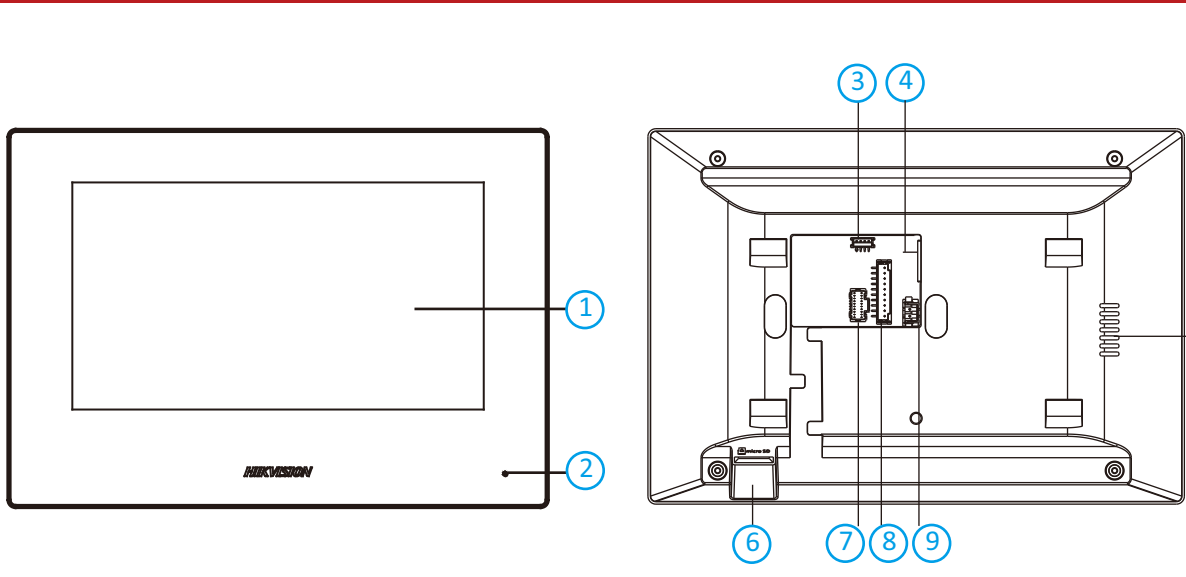
2 Terminal and Wiring
 There are 20 pins in the terminal on the rear panel of the indoor station: 2 RS-485 pins, 5 reserved pins, 4 relay output pins, 8 alarm input pins, and 1 GND pin.
 Note: There are 20 pins in the terminal on the rear panel of the DS-KH6320-TE1: 11 reserved pins, 8 alarm input pins, and 1 GND pin. Please refer to the specific model.

3 Installation
 It supports wall mounting. There are two installation modes.
Installation Accessory Description
 The wall mounting plate and junction box are required to install the indoor station onto the wall.
 The dimension of junction box should be 75 mm (width) × 75 mm (length) × 50 mm (depth). The dimension of wall mounting plate is shown.
Before You Start
 • Make sure the device in the package is in good condition and all the assembly parts are included.
 • The power supply the indoor station supports is 12 VDC. Please make sure your power supply matches your indoor station.
 • Make sure all related equipments are power-off during the installation.
 • Check the product specification for the installation environment.

★ Wall Mounting with junction Box
 1. Chisel a hole in the wall. The size of the hole should be 76 mm (width) × 76 mm (length) × 50 mm (depth).
 2. Insert the junction box to the hole chiseled on the wall.
 3. Fix the wall mounting plate to the junction box with 2 screws.
 4. Hook the indoor station to the wall mounting plate tightly by inserting the plate hooks into the slots on the rear panel of the indoor station, during which the lock catch will be locked automatically.
★ Wall Mounting without junction Box
 1. Insert 2 expansion tubes into the wall.
 2. Fix the wall mounting plate to the junction box with 2 screws.
 3. Hook the indoor station to the wall mounting plate tightly by inserting the plate hooks into the slots on the rear panel of the indoor station, during which the lock catch will be locked automatically.

4 Getting Started
1 Activate Indoor Station
 You are required to activate the device first by settings a strong password before you can use the device.
 1. Power on the device. It will enter the activation page automatically.
 2. Create a password and confirm it.
 3. Tap OK to activate the indoor station.
 4. Optional: Bind email address. You can reset the activation/admin password vial the email fi you forget your password.
2 Quick Configuration
 1. Choose Language and tap Next.
 2. Set network parameters and tap Next.
 - Edit Local IP, Subnet Mask and Gateway parameters.
 - Enable DHCP, the device will get network parameters automatically.
 3. Configure the indoor station parameters.
 - Select Indoor Station and tap Next to link main door station.
 a. Edit Floor and Room No.
 b. Create and confirm SIP register password.
 Note: If you want to add the indoor station to the door station, the SIP password of the indoor station should be the same as the registration password of the door station.
 c. Tap Advanced Settings to edit Community No, Building No. and Unit No.
 d. Optional: Enable Indoor Station Settings and select the indoor station to link.
 - Select Indoor Extension and tap Next to link indoor station.
 a. Edit No., Room Name.
 b. Create and confirm SIP register password.
 4. Linked related devices and tap Next. If the device and the indoor station are in the same LAN, the device will be displayed in the list. Tap the device or enter the serial No. to link.
 a. Tap the settings icon to pop up the Network Settings page.
 b. Edit the network parameters of the door station manually or enable DHCP to get the network parameters automatically.
 e. Tap OK to save the settings.
 5. Tap Finish to save the settings.

Refers to Video Intercom Network Indoor Station Configuration Guide (Scan the QR code) for details.
 Refers to Video Intercom Network Indoor Station Operation Guide (Scan the QR code) for details.



Scan the QR code to get the Configuration Guide for detailed information.



Scan the QR code to get the Operation Guide for detailed information.



Diagram References

1 Appearance

- ① Microphone
- ② Camera
- ③ Indicator
- ④ Button
- ⑤ Card Reading Area
- ⑥ Loudspeaker
- ⑦ Terminals
- ⑧ Debugging Port
- ⑨ TAMPER
- ⑩ Set Screw
- ⑪ TF Card Slot(Reserved)
- ⑫ Network Interface

Note: The debugging port is used for debugging only.

Indicator Description

Unlock: Green Call: Orange Communicate: White

2 Terminal and Wiring

- NC: Door Lock Relay Output (NC) 485-: RS-485 Interface (Reserved)
- NO: Door Lock Relay Output (NO) 485+: RS-485 Interface (Reserved)
- COM: Common Interface 12 VDC IN: Power Supply Input
- AIN1: For the access of Door Contact GND: Grounding
- AIN3: For the access of Exit Button
- AIN2&AIN4: Reserved

3 Installation Accessory

- ① Mounting Template
- ② Mounting Plate

Note: The dimension of the mounting plate is 102.58 mm × 39.24 mm × 6.2 mm.

4 Installation

Note: Video intercom villa door station supports surface mounting.

Before You Start

- Make sure all related equipments are power-off during the installation.
- Tools that you need to prepare for installation: Drill (ø2.846) and gradienter.
- Purchase the protective shield before installation.

★ Surface Mounting without Protective Shield

1. Stick the mounting template on the wall. Drill screw holes according to the mounting template. Remove the template from the wall.
2. Secure the mounting plate on the wall with 4 supplied screws according to the screw holes.
3. Install the villa door station on the mounting plate. Fix the device on the mounting plate with the set screw.

★ Surface Mounting with Protective Shield

1. Stick the mounting template on the wall. Drill the screw holes according to the mounting template. Remove the template from the wall.
2. Align the protective shield with the mounting template.
3. Secure the mounting plate and protective shield on the wall with 4 supplied screws according to the screw holes.
4. Install the villa door station to the mounting plate. Fix the device on the mounting plate with the set screw.

5 Configuration via Web

1 Activate Device via Web

You are required to activate the device first by settings a strong password before you can use the device.

Default parameters of door station are as follows:

- Default IP Address: 192.0.0.65.
- Default Port No.:8000.
- Default User Name: admin

1. Power on the device, and connect the device to the network.
2. Enter the IP address into the address bar of the web browser, and click Enter to enter the activation page.
3. Create and enter a password into the password field.
4. Confirm the password.
5. Click OK to activate the device.

Note: When the device is not activated, the basic operation and remote configuration of device cannot be performed.

2 Access to the Device by Web Browsers

1. In the browser address bar, enter the IP address of the device, and press the Enter key to enter the login page.
2. Enter the user name and password and click Login.

3 Communicate with Indoor Station

1. Click Settings -> Intercom -> Press Button to Call to enter the settings page.
2. Set the parameters.
 - Edit call No. for every button.
 - Check Call Management Center to set the button calling center.

Note: If you check Call Management Center and set the call No., as well, call management center has higher privilege than call No.

3. Press button to call indoor station.

4 Issue Card

1. Click Settings -> Access Control and Elevator Control to enter the settings page.
2. Click Issue Card. Present the card on the card reading area.
3. When issuing finished, the windows pop up on the settings page.

Note: Only Mifare card supported, and Mifare card with non-standard shape is recommended. Up to 10000 cards can be issued and managed by V series door station. A voice prompt (No more cards can be issued.) can be heard when the issued card amount exceeds the upper limit.

5 Unlock Door

After issuing cards, you can unlock the door by presenting the issued cards.

Refers to Video Intercom Villa Door Station User Manual (scan the QR code) for details.

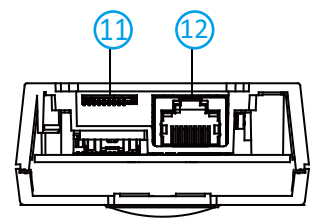
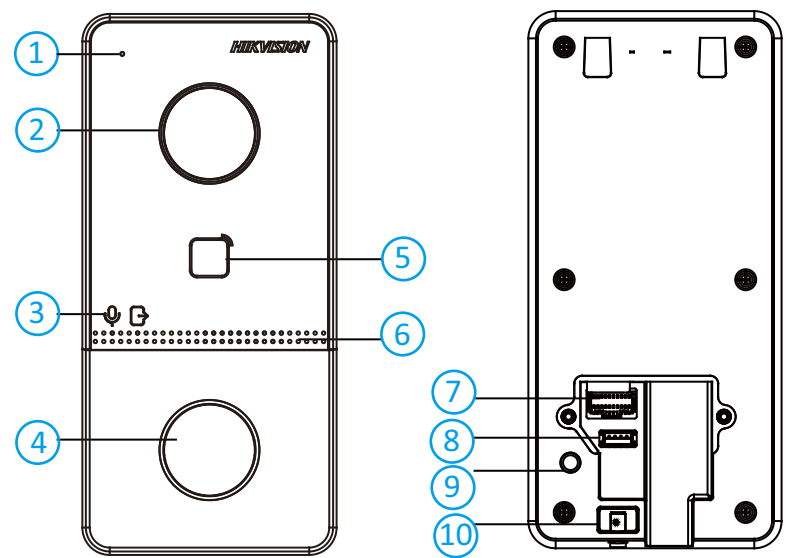
The simplified declaration of conformity Hereby, Hangzhou Hikvision Digital Technology Co., Ltd. ("Hikvision") declares that the DS-KV6113-WPE1 device complies with the requirements of Directive 2014/53/EU of the European Parliament and of the Council of April 16, 2014 on the harmonization of the laws of the Member States relating to making radio equipment available on the market and repealing Directive 1999/5/EC. The full text of the declaration of conformity is available at the Hikvision website <http://www.hikvisioneurope.com/portal>.

Industry Canada ICES-003 Compliance
This device meets the CAN ICES-3 (B)/NMB-3(B) standards requirements.

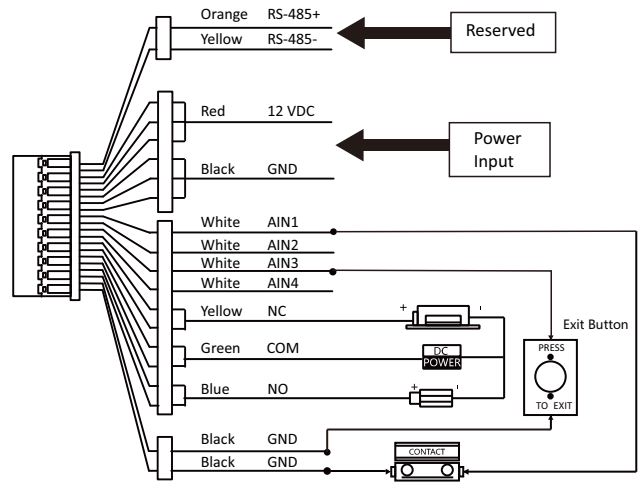
For RED-Directive 2014/53/EU
The frequency, mode and the maximum transmitted power in EU are listed below:

Model	Received frequency	Transmitted frequency	Bandwidth	Frequency power
DS-KV6113-WPE1	2.4 to 2.4835GHz	2.4 to 2.4835GHz	20 to 40MHz	802.11b:16dBm +/- 1.5dBm
				802.11g:15dBm +/- 1.5dBm
				802.11n(ht20):14dBm +/- 1.5dBm
				802.11n(ht40):12dBm +/- 1.5dBm

1

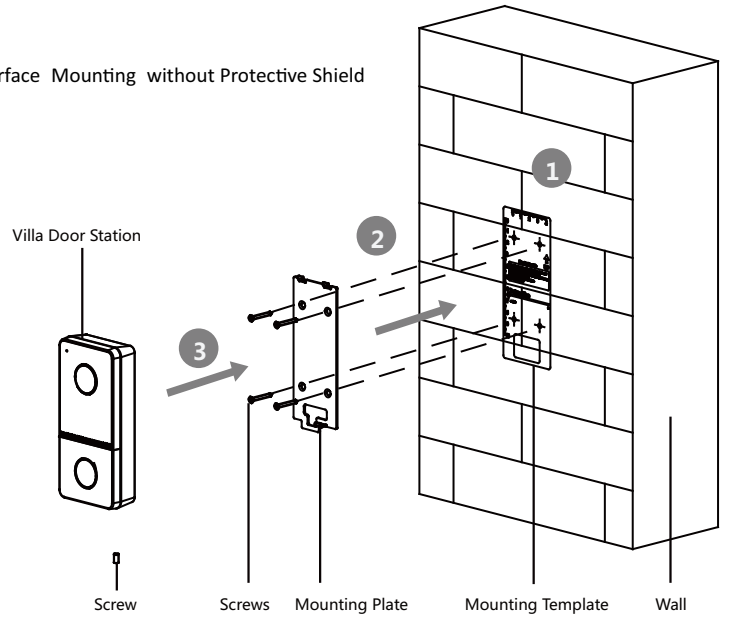


2

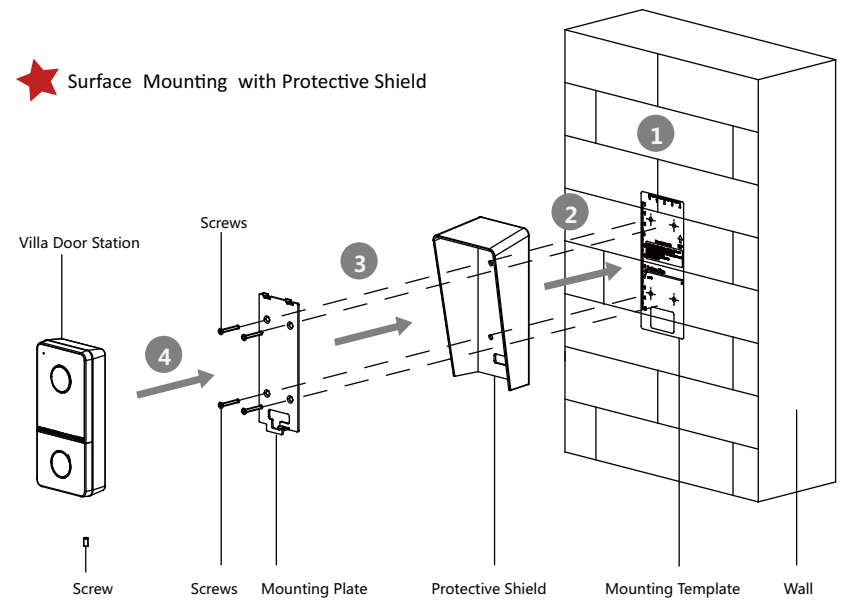


4

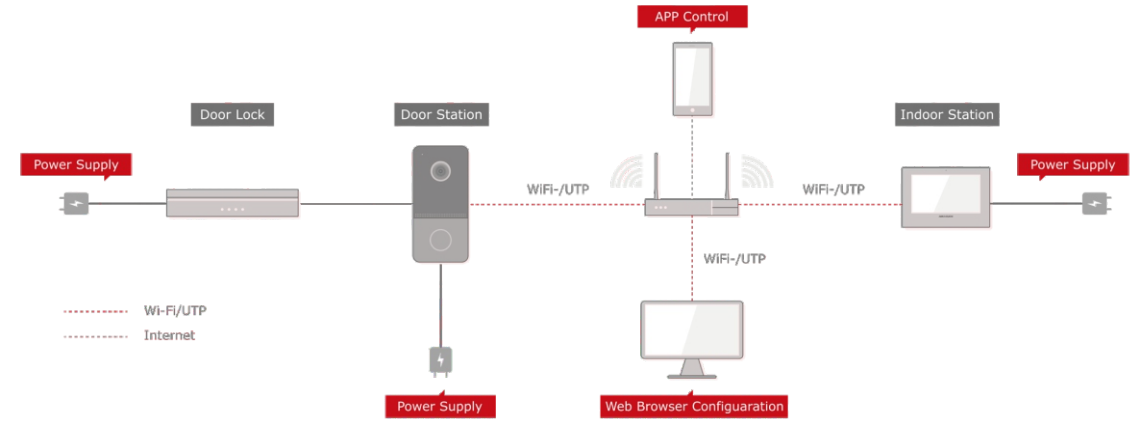
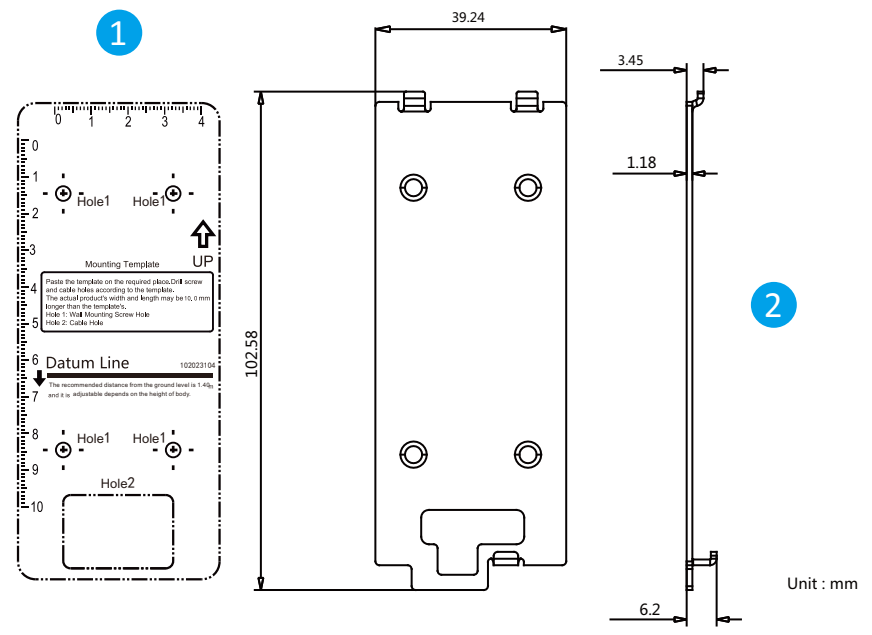
★ Surface Mounting without Protective Shield



★ Surface Mounting with Protective Shield



3



DS-KIS603-P

Video Intercom Network Bundle

DS-KH6320-WTE1	FRANÇAIS
Video Intercom Network Indoor Station	

Références du schéma

1 Apparence

- | | | |
|---------------------|----------------|------------------------|
| ① Écran | ② Microphone | ③ Port de débogage |
| ④ Interface réseau | ⑤ Haut-parleur | ⑥ Fente de carte TF |
| ⑦ Terminal d'alarme | ⑧ Réservé | ⑨ Borne d'alimentation |

Remarque :

- L'aspect de l'appareil varie en fonction des différents modèles. Reportez-vous à l'appareil réel pour des informations détaillées.
- Le port de débogage est réservé uniquement à l'usage prévu.

2 Borne et câblage

Remarque : pour la description des bornes et du câblage, reportez-vous à la figure et au manuel de l'utilisateur.

3 Installation

Avant de commencer

- Assurez-vous que l'appareil dans son emballage est en bonne condition et que toutes les pièces de montage sont incluses.
- Assurez-vous que tous les équipements connexes sont hors tension pendant l'installation.
- Vérifiez que les spécifications du produit sont adéquates à l'environnement d'installation.

Remarque : pour l'installation, reportez-vous à la figure et au manuel d'utilisation.

4 Premiers pas

① Activer un appareil

Vous devez d'abord activer l'appareil en définissant un mot de passe fort avant de pouvoir l'utiliser.

Activez l'appareil localement ou à distance via le logiciel client iVMS-4200.

② Configuration rapide

Suivez les instructions sur les interfaces correspondantes.

DS-KH6320-WTE1

Video Intercom Network Indoor Station

DS-KH6320-WTE1	DEUTSCH
Video Intercom Network Indoor Station	

Verweise auf Schaubilder

1 Aufbau

- | | | |
|-------------------------|----------------|-----------------------|
| ① Bildschirm | ② Mikrofon | ③ Debug-Anschluss |
| ④ Netzwerkanschluss | ⑤ Lautsprecher | ⑥ TF-Kartensteckplatz |
| ⑦ Alarm-Anschlussklemme | ⑧ Reserviert | ⑨ Anschlussklemme |

Hinweis:

- Das Erscheinungsbild des Geräts variiert je nach Modell. Für detaillierte Informationen siehe das tatsächliche Produkt.
- Der Debugging-Anschluss wird nur für die Fehlersuche verwendet.

2 Anschlüsse und Verkabelung

Hinweis: Beschreibungen der Anschlussklemmen und der Verdrahtung finden Sie in der Abbildung und im Benutzerhandbuch.

3 Installation

Bevor Sie beginnen

- Achten Sie darauf, dass sich das Gerät in der Verpackung in gutem Zustand befindet und alle Montageteile enthalten sind.
- Achten Sie darauf, dass alle relevanten Geräte während der Montage ausgeschaltet sind.
- Überprüfen Sie die Produktspezifikation für die Installationsumgebung.

Hinweis: Einzelheiten zur Installation finden Sie in der Abbildung und im Benutzerhandbuch.

4 Erste Schritte

① Gerät aktivieren

Bevor Sie das Gerät benutzen können, müssen Sie zunächst ein sicheres Passwort festlegen, um das Gerät zu aktivieren.

Aktivieren Sie das Gerät lokal oder aus der Ferne über die iVMS-4200-Clientsoftware.

② Schnellkonfiguration

Folgen Sie den Aufforderungen in den entsprechenden Menüs.

DS-KH6320-WTE1

Video Intercom Network Indoor Station

DS-KH6320-WTE1	ESPAÑOL
Video Intercom Network Indoor Station	

Referencias del diagrama

1 Apariencia

- | | | |
|----------------------|-------------|--------------------------|
| ① Pantalla | ② Micrófono | ③ Puerto de depuración |
| ④ Interfaz de red | ⑤ Altavoz | ⑥ Ranura para tarjeta TF |
| ⑦ Terminal de alarma | ⑧ Reservado | ⑨ Borne de alimentación |

Nota:

- La apariencia del dispositivo varía en función del modelo. Consulte el dispositivo en concreto para más información.
- El puerto de depuración solo sirve para depurar.

2 Terminal y cableado

Nota: para las descripciones de los terminales y del cableado, consulte la figura y el manual de usuario.

3 Instalación

Antes de comenzar

- Asegúrese de que el dispositivo incluido esté en buenas condiciones y se incluyan todas las piezas de ensamblaje.
- Asegúrese de que todos los equipos relacionados estén apagados durante la instalación.
- Consulte las especificaciones del producto al realizar la instalación.

Nota: Nota: consulte las ilustraciones y el manual de usuario para conocer el procedimiento de instalación.

4 Primeros pasos

① Activar dispositivo

Antes de poder utilizar el dispositivo es necesario activarlo estableciendo una contraseña segura.

Active el dispositivo de forma local o a distancia mediante el software de cliente iVMS-4200.

② Configuración rápida

Siga los avisos de las interfaces correspondientes.

DS-KH6320-WTE1

Video Intercom Network Indoor Station

DS-KH6320-WTE1	PORTUGUÊS
Video Intercom Network Indoor Station	

Referências do diagrama

1 Aspeto

- | | | |
|----------------------|---------------|---------------------------|
| ① Ecrã | ② Microfone | ③ Porta de depuração |
| ④ Interface de rede | ⑤ Altifalante | ⑥ Ranhura Para Cartão TF |
| ⑦ Terminal de alarme | ⑧ Reservado | ⑨ Terminal de alimentação |

Nota:

- O aspeto do dispositivo varia consoante o modelo. Consulte a documentação específica do dispositivo para obter informações detalhadas.
- A Porta de depuração destina-se apenas para fins de depuração.

2 Terminal e cablagem

Nota: Para as descrições de cablagem e dos terminais, consulte a figura e o manual do utilizador.

3 Instalação

Antes de começar

- Certifique-se de que o dispositivo na embalagem se encontra em boas condições e de que todas as peças de montagem estão incluídas.
- Certifique-se de que, durante a instalação, todo o equipamento relacionado se encontra desligado.
- Verifique a especificação do produto para o ambiente de instalação.

Nota: Para a instalação, consulte a figura e o Manual do Utilizador.

4 Introdução

① Ativar dispositivo

Antes de poder utilizar o dispositivo, é necessário ativá-lo primeiro, definindo uma palavra-passe segura.

Ative localmente o dispositivo ou remotamente através do software de cliente iVMS-4200.

② Configuração rápida

Siga as mensagens apresentadas nas interfaces correspondentes.

DS-KH6320-WTE1

Video Intercom Network Indoor Station

DS-KH6320-WTE1	NEDERLANDS
Video Intercom Network Indoor Station	

Schemareferenties

1 Uiterlijk

- | | | |
|---------------------|----------------|-----------------------|
| ① Scherm | ② Microfoon | ③ Poort voor debuggen |
| ④ Netwerkkinterface | ⑤ Luidspreker | ⑥ Sleuf TF-kaart |
| ⑦ Alarmaansluiting | ⑧ Gereserveerd | ⑨ Aansluiting voeding |

Opmerking:

- Het uiterlijk van het apparaat varieert per model. Raadpleeg het daadwerkelijke apparaat voor meer informatie.
- De foutopsporingspoort wordt alleen gebruikt voor foutopsporing.

2 Aansluitingen en bedrading

Opmerking: Raadpleeg voor een beschrijving van de aansluiting en bedrading de afbeelding en de gebruikershandleiding.

3 Installatie

Voordat u begint

- Zorg dat het verpakte apparaat zich in goede staat bevindt en er geen onderdelen ontbreken.
- Zorg dat alle bijbehorende apparatuur tijdens de installatie is uitgeschakeld.
- Controleer de productspecificatie op geschiktheid in de installatieomgeving.

Opmerking: Raadpleeg voor installatie de afbeeldingen en de gebruikershandleiding.

4 Aan de slag

① Apparaat activeren

U dient het apparaat voor gebruik eerst te activeren door er een sterk wachtwoord voor in te stellen.

Schakel het apparaat ter plekke of op afstand in m.b.v. iVMS-4200-clientsoftware.

② Snelle configuratie

Volg de aanwijzingen op desbetreffende interfaces.

DS-KH6320-WTE1

Video Intercom Network Indoor Station

DS-KH6320-WTE1	ČEŠTINA
Video Intercom Network Indoor Station	

Popis obrázků

1 Vzhled

- | | | |
|-------------------|---------------|---------------------|
| ① Obrazovka | ② Mikrofon | ③ Ladicí port |
| ④ Síťové rozhraní | ⑤ Reproduktor | ⑥ Slot pro kartu TF |
| ⑦ Svorka alarmu | ⑧ Vyhrazeno | ⑨ Napájecí terminál |

Poznámka:

- Vzhled zařízení se u různých modelů liší. Podrobné informace naleznete v dokumentaci příslušného zařízení.
- Ladicí port se používá pouze k ladění.

2 Svorka a zapojení

Poznámka: Popis svorky a zapojení naleznete na obrázku a v návodu k použití.

3 Montáž

Drive než začnete

- Ujistěte se, zda je zařízení v balení v dobrém stavu a zda jsou přítomny všechny dodávané součásti.
- Ujistěte se, že veškerá příslušná zařízení jsou během instalace vypnutá.
- Zkontrolujte technické údaje produktu týkající se prostředí instalace.

Poznámka: Při instalaci se řiďte obrázkem a uživatelskou příručkou.

4 Začínáme

① Aktivace zařízení

Před použitím zařízení je musíte aktivovat nastavením silného hesla.

zařízení aktivujte v místě nebo vzdáleně prostřednictvím klientského softwaru iVMS-4200.

② Rychlá konfigurace

Postupujte podle výzev v příslušném rozhraní.

DS-KH6320-WTE1

Video Intercom Network Indoor Station

DS-KH6320-WTE1	ITALIANO
Video Intercom Network Indoor Station	

Riferimento schemi

1 Aspetto

- | | | |
|------------------------|----------------|------------------------------|
| ① Schermo | ② Microfono | ③ Porta di debugging |
| ④ Interfaccia di rete | ⑤ Altoparlante | ⑥ Slot per scheda TF |
| ⑦ Terminale di allarme | ⑧ Riservato | ⑨ Terminale di alimentazione |

Nota:

- L'aspetto del dispositivo varia in base al modello. Per informazioni dettagliate, fare riferimento al dispositivo effettivo.
- La porta si usa solo per attività di debugging.

2 Terminale e cablaggio

Nota: per la descrizione del cablaggio e dei terminali, fare riferimento alla figura e al Manuale dell'utente.

3 Installazione

Prima di iniziare

- Verificare il dispositivo contenuto nella confezione sia in buone condizioni e che tutti gli elementi di assemblaggio siano presenti.
- Verificare che durante l'installazione tutte apparecchiature correlate siano spente.
- Controllare che le specifiche del prodotto corrispondano a quelle dell'ambiente di installazione.

Nota: Per l'installazione, fare riferimento alla figura e al Manuale dell'utente.

4 Operazioni preliminari

① Attiva dispositivo

Prima di utilizzare il dispositivo è necessario attivarlo impostando una password sicura.

Attivare il dispositivo localmente o da remoto tramite il software client iVMS-4200.

② Configurazione rapida

Seguire le indicazioni sulle interfacce corrispondenti.

DS-KH6320-WTE1

Video Intercom Network Indoor Station

DS-KH6320-WTE1	DANSK
Video Intercom Network Indoor Station	

Diagramoversigt

1 Beskrivelse

- | | | |
|-----------------|--------------|------------------------|
| ① Skærm | ② Mikrofon | ③ Port til fejlfinding |
| ④ Netværksstik | ⑤ Højtaler | ⑥ TF-kortplads |
| ⑦ Alarmterminal | ⑧ Reserveret | ⑨ Strømterminal |

Bemærk:

- Enhedens udseende varierer i henhold til forskellige modeller. Se den faktiske enhed for nærmere oplysninger.
- Fejlfindingsporten bruges kun til fejlfinding.

2 Terminal og ledningsføring

Bemærk: Find beskrivelse af terminaler og ledningsføring i figuren og brugervejledningen.

3 Installation

Før du starter

- Kontrollér, at enheden i pakken er i god tilstand, og at alle dele til samling medfølger.
- Kontrollér, at alt tilknyttet udstyr er slukket under installationen.
- Kontrollér produktspecifikationerne for installationsmiljøet.

Bemærk: Find oplysninger om installationen i figuren og brugervejledningen.

4 Kom godt i gang

① Aktivér enhed

Du skal først aktivere enheden ved at indstille en stærk adgangskode, før du kan anvende enheden.

Aktivér enheden lokalt eller via fjernadgang via iVMS-4200-klientsoftware.

② Hurtig konfiguration

Følg talevejledningen på de tilsvarende skærme.

DS-KV6113-WPE1

Video Intercom Villa Door Station

FRANÇAIS

Référénces du schéma

1 Apparence

- | | | |
|--------------------------|-----------------------------------|----------------------------|
| 1 Microphone | 2 Caméra | 3 Indicateur |
| 4 Touche | 5 Zone de lecture de carte | 6 Haut-parleur |
| 7 Bornes | 8 Port de débogage | 9 SABOTAGE |
| 10 Vis de blocage | 11 Fente de carte TF | 12 Interface réseau |

Remarque : l'apparence de l'appareil varie selon le modèle. Reportez-vous à l'appareil proprement dit.

Description de l'indicateur

Déverrouillage : Vert Appeler : orange Communiquer : blanc

2 Borne et câblage

Remarque : reportez-vous au manuel d'utilisation pour une description du câblage.

3 Accessoire d’installation

Remarque : pour connaître les dimensions des accessoires d’installation, veuillez vous reporter au manuel d'utilisation.

4 Installation

Avant de commencer

- Assurez-vous que l'appareil dans son emballage est en bonne condition et que toutes les pièces de montage sont incluses.
- Assurez-vous que tous les équipements connexes sont hors tension pendant l’installation.
- Vérifiez que les spécifications du produit sont adéquates à l’environnement d’installation.

Remarque : pour l'installation, reportez-vous à la figure et au manuel d'utilisation.

5 Configuration

1 Activer un appareil

Vous devrez d’abord activer l’appareil en définissant un mot de passe fort avant de pouvoir l’utiliser.

Activez l'appareil à distance via le logiciel client iVMS-4200.

2 Configuration à distance

Remarque : Pour plus de détails sur la configuration, consultez le manuel d'utilisation.

DS-KV6113-WPE1

Video Intercom Villa Door Station

DEUTSCH

Verweise auf Schaubilder

1 Aufbau

- | | | |
|-----------------------------|-------------------------------|-----------------------------|
| 1 Mikrofon | 2 Kamera | 3 Statusanzeige |
| 4 Taste | 5 Kartenlesebereich | 6 Lautsprecher |
| 7 Anschlussklemmen | 8 Debug-Anschluss | 9 SABOTAGE |
| 10 Feststellschraube | 11 TF-Kartensteckplatz | 12 Netzwerkanschluss |

Hinweis: Der Aufbau des Geräts variiert je nach Modell. Beziehen Sie sich auf das tatsächliche Gerät.

Anzeigen

Entriegeln: Grün Anruf: Orange Kommunikation: Weiß

2 Anschlüsse und Verkabelung

Hinweis: Die Beschreibung der Verkabelung finden Sie im Benutzerhandbuch.

3 Installationszubehör

Hinweis: Entnehmen Sie den Umfang des Installationszubehörs dem Benutzerhandbuch.

4 Installation

Bevor Sie beginnen

- Achten Sie darauf, dass sich das Gerät in der Verpackung in gutem Zustand befindet und alle Montageteile enthalten sind.
- Achten Sie darauf, dass alle relevanten Geräte während der Montage ausgeschaltet sind.
- Überprüfen Sie die Produktspezifikation für die Installationsumgebung.

Hinweis: Einzelheiten zur Installation finden Sie in der Abbildung und im Benutzerhandbuch.

5 Konfiguration

1 Gerät aktivieren

Bevor Sie das Gerät benutzen können, müssen Sie zunächst ein sicheres Passwort festlegen, um das Gerät zu aktivieren.

Aktivierung aus der Ferne über das Web oder die iVMS-4200 Client-Software.

2 Fernkonfiguration

Hinweis: Weitere Informationen zur Konfiguration finden Sie im Benutzerhandbuch.

DS-KV6113-WPE1

Video Intercom Villa Door Station

PORTUGUÊS

Referências do diagrama

1 Aspeto

- | | | |
|-------------------------------|-------------------------------------|-----------------------------|
| 1 Microfone | 2 Câmara | 3 Indicador |
| 4 Botão | 5 Área de leitura de cartões | 6 Altifalante |
| 7 Terminais | 8 Porta de depuração | 9 ADULTERAÇÃO |
| 10 Parafuso de fixação | 11 Ranhura Para Cartão TF | 12 Interface de rede |

Nota: O aspeto do dispositivo varia consoante o modelo. Consulte o próprio dispositivo.

Descrição do indicador

Desbloqueado: Verde Chamada: Cor de laranja Comunicar: Branco

2 Terminal e cablagem

Nota: Para obter a descrição da fiação, consulte o Manual de Utilizador.

3 Acessório para instalação

Nota: Para obter a dimensão dos acessórios para instalação, consulte o Manual do Utilizador.

4 Instalação

Antes de começar

- Certifique-se de que o dispositivo na embalagem se encontra em boas condições e de que todas as peças de montagem estão incluídas.
- Certifique-se de que, durante a instalação, todo o equipamento relacionado se encontra desligado.
- Verifique a especificação do produto para o ambiente de instalação.

Nota: Para a instalação, consulte a figura e o Manual do Utilizador.

5 Configuração

1 Ativar dispositivo

Antes de poder utilizar o dispositivo, é necessário ativá-lo primeiro, definindo uma palavra-passe segura.

Ative o dispositivo remotamente através da Web ou do software iVMS-4200 do cliente.

2 Configuração remota

Nota: Para obter informações sobre a configuração remota, consulte o Manual do Utilizador.

DS-KV6113-WPE1

Video Intercom Villa Door Station

NEDERLANDS

Schemareferenties

1 Uiterlijk

- | | | |
|------------------------|------------------------------|---------------------------|
| 1 Microfoon | 2 Camera | 3 Pictogram |
| 4 Toets | 5 Kaartleesgedeelte | 6 Luidspreker |
| 7 Aansluitingen | 8 Poort voor debuggen | 9 MANIPULATIE |
| 10 Stelschroef | 11 Sleuf TF-kaart | 12 Netwerkiterface |

Opmerking: De verschijningsvorm van het apparaat kan variëren naar gelang de verschillende modellen. Verwijst naar het daadwerkelijke apparaat.

Indicatorbeschrijving

Ontgrendelen: Groen Bellen: Oranje Communiceren: Wit

2 Aansluitingen en bedrading

Opmerking: De omschrijving van de bedrading verwijst naar de gebruiksaanwijzing.

3 Installatie-accessoire

Opmerking: Raadpleeg de gebruikershandleiding voor de afmetingen van installatie-accessoires.

4 Installatie

Voordat u begint

- Zorg dat het verpakte apparaat zich in goede staat bevindt en er geen onderdelen ontbreken.
- Zorg dat alle bijbehorende apparatuur tijdens de installatie is uitgeschakeld.
- Controleer de productspecificatie op geschiktheid in de installatieomgeving.

Opmerking: Raadpleeg voor installatie de afbeeldingen en de gebruikershandleiding.

5 Configuratie

1 Apparaat activeren

U dient het apparaat voor gebruik eerst te activeren door er een sterk wachtwoord voor in te stellen.

Activeer op afstand via internet of iVMS-4200-clientsoftware.

2 Configuratie op afstand

Opmerking: Raadpleeg de gebruikershandleiding voor de configuratie.

DS-KV6113-WPE1

Video Intercom Villa Door Station

ESPAÑOL

Referencias del diagrama

1 Apariencia

- | | | |
|-------------------------------|--------------------------------------|---------------------------|
| 1 Micrófono | 2 Cámara | 3 Piloto |
| 4 Botón | 5 Área de lectura de tarjetas | 6 Altavoz |
| 7 Terminales | 8 Puerto de depuración | 9 MANIPULACIÓN |
| 10 Tornillo de presión | 11 Ranura para tarjeta TF | 12 Interfaz de red |

Nota: el aspecto del dispositivo varía en función del modelo. Remítase al dispositivo en cuestión.

Descripción del indicador

Desbloquear: Verde Llamar: naranja Comunicar: blanco

2 Terminal y cableado

Nota: Para ver una descripción del cableado, consulte el manual de usuario.

3 Accesorio de instalación

Nota: consulte el manual de usuario para ver las dimensiones de los accesorios de instalación.

4 Instalación

Antes de comenzar

- Asegúrese de que el dispositivo incluido esté en buenas condiciones y se incluyan todas las piezas de ensamblaje.
- Asegúrese de que todos los equipos relacionados estén apagados durante la instalación.
- Consulte las especificaciones del producto al realizar la instalación.

Nota: Nota: consulte las ilustraciones y el manual de usuario para conocer el procedimiento de instalación.

5 Configuración

Activar dispositivo

Antes de poder utilizar el dispositivo es necesario activarlo estableciendo una contraseña segura.

Actívalo a distancia a través de la página web o el software de cliente iVMS-4200.

Configuración remota

Nota: consulte el manual de usuario para ver la configuración.

DS-KV6113-WPE1

Video Intercom Villa Door Station

ITALIANO

Riferimento schemi

1 Aspetto

- | | | |
|---------------------------|---------------------------------|-------------------------------|
| 1 Microfono | 2 Telecamera | 3 Indicatore |
| 4 Pulsante | 5 Area di lettura schede | 6 Altoparlante |
| 7 Terminali | 8 Porta di debugging | 9 MANOMISSIONE |
| 10 Vite di arresto | 11 Slot per scheda TF | 12 Interfaccia di rete |

Nota: l'aspetto del dispositivo varia in base al modello. Fare riferimento al dispositivo effettivo.

Descrizione degli indicatori

Sblocco: Verde Chiamata: arancione Comunicazione: bianco

2 Terminale e cablaggio

Nota: la descrizione del cablaggio fa riferimento al Manuale dell'utente.

3 Accessori per l’installazione

Nota: Per le dimensioni degli accessori di installazione, consultare il Manuale dell'utente.

4 Installazione

Prima di iniziare

- Verificare il dispositivo contenuto nella confezione sia in buone condizioni e che tutti gli elementi di assemblaggio siano presenti.
- Verificare che durante l’installazione tutte apparecchiature correlate siano spente.
- Controllare che le specifiche del prodotto corrispondano a quelle dell’ambiente di installazione.

Nota: Per l'installazione, fare riferimento alla figura e al Manuale dell'utente.

5 Configurazione

1 Attiva dispositivo

Prima di utilizzare il dispositivo è necessario attivarlo impostando una password sicura.

Attivazione remota via Web o tramite il software client iVMS-4200.

2 Configurazione remota

Nota: Per la configurazione, consultare il Manuale dell'utente.

DS-KV6113-WPE1

Video Intercom Villa Door Station

DANSK

Diagramoversigt

1 Beskrivelse

- | | | |
|-----------------------------|---------------------------------|------------------------|
| 1 Mikrofon | 2 Kamera | 3 Kontrollampe |
| 4 Knap | 5 Område til kortlæsning | 6 Højtaler |
| 7 Terminaler | 8 Port til fejlfinding | 9 MANIPULATION |
| 10 Fastspændingsbolt | 11 TF-kortplads | 12 Netværksstik |

Bemærk: Enhedens udseende kan variere afhængigt af model. Der henvises til den faktiske enhed.

Beskrivelse af kontrollampe

Lås op: Grøn Opkald: Orange Kommunikér: Hvid

2 Terminal og ledningsføring

Bemærk: For beskrivelse af kabelføring henvises til brugervejledningen.

3 Installationstilbehør

Bemærk: Find målene for installationstilbehør i brugervejledningen.

4 Installation

Før du starter

- Kontrollér, at enheden i pakken er i god tilstand, og at alle dele til samling medfølger.
- Kontrollér, at alt tilknyttet udstyr er slukket under installationen.
- Kontrollér produktspecifikationerne for installationsmiljøet.

Bemærk: Find oplysninger om installationen i figuren og brugervejledningen.

5 Konfiguration

1 Aktivér enhed

Du skal først aktivere enheden ved at indstille en stærk adgangskode, før du kan anvende enheden.

Aktivér via fjernbetjening på nettet eller via iVMS-4200-klientsoftware.

2 Fjernbetjent konfiguration

Bemærk: Find oplysninger om konfiguration i brugervejledningen.

DS-KIS603-P

Video Intercom Network Bundle

DS-KH6320-WTE1

Video Intercom Network Indoor Station

MAGYAR

Az ábra jelölései

1 Külső megjelenés

- | | | |
|-----------------------|---------------|--------------------------|
| ① Képernyő | ② Mikrofon | ③ Hibakereső port |
| ④ Hálózati csatlakozó | ⑤ Hangszóró | ⑥ TF- (SD-) kártyanyílás |
| ⑦ Riasztás csatlakozó | ⑧ Fenntartott | ⑨ Tápcsatlakozó |

Megjegyzés:

- Az eszköz megjelenése a különböző típusok esetén eltérő lehet. Részletes információkkal kapcsolatban keresse meg a tényleges eszközt.
- A hibakereső port kizárólag hibakeresésre szolgál.

2 Csatlakozó és vezetékek

Megjegyzés: A csatlakozók és bekötések leírását az ábrán, illetve a felhasználói útmutatóban találja.

3 Telepítés

A kezdés előtt

- Győződjön meg arról, hogy a csomagban található eszköz kifogástalan állapotú, és egyetlen szerelési tartozék sem hiányzik.
- Bizonyosodjon meg arról, hogy minden kapcsolódó eszközt áramtalanított a felszerelés ideje alatt.

- A telepítési környezetre vonatkozóan ellenőrizze a termék műszaki adatait.

Megjegyzés: A telepítéssel kapcsolatban lásd az ábrát, illetve a felhasználói útmutatót.

4 Kezdeti lépések

1 Eszköz aktiválása

Az eszköz használata előtt egy erős jelszó beállításával aktiválnia kell az eszközt.

Aktiválja a készenléket helyben, vagy távolról az iVMS-4200 kliensszoftver segítségével.

2 Gyorsbeállítás

Kövesse a megfelelő interfészeken megjelenő utasításokat.

DS-KH6320-WTE1

Video Intercom Network Indoor Station

BAHASA INDONESIA

Referensi Diagram

1 Tampilan

- | | | |
|----------------------|------------------|------------------|
| ① Layar | ② Mikrofon | ③ Port Debugging |
| ④ Antarmuka Jaringan | ⑤ Pengeras Suara | ⑥ Slot Kartu TF |
| ⑦ Terminal Alarm | ⑧ Cadangan | ⑨ Terminal Daya |

Catatan:

- Tampilan perangkat beragam tergantung modelnya. Silakan merujuk ke perangkat yang sebenarnya untuk informasi selengkapnnya.
- Port Debugging hanya digunakan untuk debugging.

2 Terminal dan Perkabelan

Catatan: Untuk deskripsi terminal dan perkabelan, silakan merujuk ke gambar dan Manual Pengguna.

3 Pemasangan

Sebelum Anda Memulai

- Pastikan perangkat dalam kemasan kondisinya bagus dan semua bagian-bagiannya disertakan.
- Pastikan semua peralatan yang terkait dinonaktifkan selama pemasangan.
- Periksa spesifikasi produk terhadap lingkungan pemasangan.

Catatan: Untuk cara pemasangan, silakan merujuk ke gambar dan Manual Pengguna.

4 Memulai

1 Aktifkan Perangkat

Pertama Anda harus mengaktifkan perangkat dengan membuat kata sandi yang kuat sebelum perangkat dapat digunakan.

Aktifkan perangkat secara lokal atau jarak jauh dengan perangkat lunak klien iVMS-4200.

2 Konfigurasi Cepat

Ikuti perintah yang muncul pada antarmuka.

DS-KH6320-WTE1

Video Intercom Network Indoor Station

POLSKI

Opis diagramu

1 Elementy urządzenia

- | | | |
|---------------------|-----------------|-------------------------|
| ① Ekran | ② Mikrofon | ③ Złącze do debugowania |
| ④ Złącze sieciowe | ⑤ Głośnik | ⑥ Gniazdo karty TF |
| ⑦ Terminal alarmowy | ⑧ Zarezerwowane | ⑨ Złącze zasilania |

Uwaga:

- Wygląd urządzenia jest zależny od modelu. Aby uzyskać więcej informacji, skorzystaj ze specyfikacji danego produktu.
- Złącze do debugowania jest używane tylko do debugowania.

2 Złącza i połączenia

Uwaga: Aby uzyskać więcej informacji dotyczących złączy i połączeń, skorzystaj z rysunku w podręczniku użytkownika.

3 Instalacja

Zanim rozpocznieś

- Upewnij się, że urządzenie w pakiecie nie jest uszkodzone i dostarczono wszystkie elementy montażowe.
- Upewnij się, że zasilanie powiązanego wyposażenia jest wyłączone podczas instalacji.
- Sprawdź specyfikacje produktu dotyczące warunków otoczenia w miejscu instalacji.

Uwaga: Aby uzyskać informacje dotyczące instalacji, skorzystaj z rysunku w podręczniku użytkownika.

4 Pierwsze kroki

1 Aktywuj urządzenie

Przed użyciem urządzenia należy je aktywować, ustawiając silne hasło dla urządzenia.

Aktywuj urządzenie lokalnie lub zdalnie przy użyciu oprogramowania klienckiego iVMS-4200.

2 Szybka konfiguracja

Postępuj zgodnie z monitami w aplikacji.

DS-KH6320-WTE1

Video Intercom Network Indoor Station

ROMÂNĂ

Referințe diagramă

1 Aspect

- | | | |
|----------------------|------------|--------------------------------|
| ① Ecran | ② Microfon | ③ Port de corectare a erorilor |
| ④ Interfață de rețea | ⑤ Difuzor | ⑥ Slot Card TF |
| ⑦ Terminal alarmă | ⑧ Rezervat | ⑨ Terminal de alimentare |

Notă:

- Aspectul dispozitivului diferă în funcție de model. Pentru infomații detaliate, consultați dispozitivul propriu-zis.
- Portul de depanare se utilizează numai pentru depanare.

2 Terminal și cablare

Notă: Pentru descrierile terminalului și a cablării, consultați figura și Manual de utilizare.

3 Instalarea

Înainte sa începeți

- Asigurați-vă că dispozitivul din pachet este în stare bun și că toate piesele pentru asamblare sunt incluse.
- Asigurați-vă că toate echipamentele aferente sunt oprite în timpul instalării.
- Verificați specificațiile produsului pentru mediul de instalare.

Notă: Pentru instalare, consultați figura și manualul de utilizare.

4 Primii pași

1 Activarea dispozitivului

Pentru a putea utiliza dispozitivul, trebuie mai întâi să activați dispozitivul setând o parolă puternică.

Activați dispozitivul prin comenzi locale sau de la distanță prin intermediul software-ului client iVMS-4200.

2 Configurare rapidă

Urmați indicațiile de pe interfețele corespunzătoare.

DS-KH6320-WTE1

Video Intercom Network Indoor Station

TÜRKÇE

Şema Referansları

1 Görünüm

- | | | |
|-------------------|------------|-----------------------|
| ① Ekran | ② Mikrofon | ③ Hata Ayıklama Portu |
| ④ Ağ Arayüzü | ⑤ Hoparlör | ⑥ TF Kart Yuvası |
| ⑦ Alarm Terminali | ⑧ Yedek | ⑨ Güç Terminali |

Not:

- Cihazın görünümü farklı modellere göre değişir. Ayrıntılı bilgi için gerçek cihaza bakın.
- Hata Ayıklama Bağlantı Noktası sadece hata ayıklama için kullanılır.

2 Terminal ve Kablolama

Not: Terminal ve kablo bağlantısı açıklamaları için şekle ve Kullanım Kılavuzuna bakın.

3 Kurulum

Başlamadan Önce

- Paketteki cihazın iyi durumda olduğundan ve tüm montaj parçalarının bulunduğundan emin olun.
- Kurulum esnasında ilgili tüm ekipmanların kapalı olduğundan emin olun.
- Kurulum ortamı için ürün teknik özelliklerini kontrol edin.

Not: Kurulum için şekle ve Kullanım Kılavuzuna bakın.

4 Başlarken

1 Cihazı Etkinleştir

Cihazı kullanabilmeniz için önce güçlü bir parola ayarlayarak cihazı etkinleştirmeniz gerekir.

iVMS-4200 istemci yazılımını kullanarak cihazı yerel veya uzak olarak etkinleştirin.

- Hızlı Yapılandırma
İlgili arayüzlerdeki talimatlara uyun.

DS-KH6320-WTE1

Video Intercom Network Indoor Station

SLOVENČINA

Referenčne schémy

1 Vzhľad

- | | | |
|---------------------|---------------|-----------------------|
| ① Obrazovka | ② Mikrofón | ③ Ladiaci port |
| ④ Sieťové rozhranie | ⑤ Reproduktor | ⑥ Zásuvka na kartu TF |
| ⑦ Terminál alarmu | ⑧ Rezervované | ⑨ Terminál napájania |

Poznámka:

- Vzhľad zariadenia sa líši v závislosti od modelu. Špecifický opis je iný pre každé zariadenie.
- Port ladenia sa používa iba na ladenie.

2 Terminál a kabeláž

Poznámka: Popisy svorkovnice a zapojenia vodičov nájdete na obrázku a v používateľskej príručke.

3 Montáž

Pred spustením

- Uistite sa, že zariadenie v balení je v dobrom stave a všetky montážne časti sú súčasťou balenia.
- Prečas inštalácie sa uistite, že sú všetky súvisiace zariadenia vypnuté.
- Naštudujte si špecifickú výrobu a vhodné prostredie inštalácie.

Poznámka: Informácie o správnej inštalácii nájdete na obrázku a v používateľskej príručke.

4 Začíname

1 Aktivácia zariadenia

Pred použitím zariadenia ho musíte najskôr aktívovať nastavením silného hesla. Zariadenie môžete aktívovať lokálne alebo na diaľku prostredníctvom klientskeho softvéru iVMS-4200.

2 Rýchla konfigurácia

Postupujte podľa výziev v príslušných rozhraniach.

DS-KH6320-WTE1

Video Intercom Network Indoor Station

УКРАЇНСЬКА

Пояснення на схемі

1 Зовнішній вигляд

- | | | |
|-----------------------|-----------------|------------------------|
| ① Екран | ② Мікрофон | ③ Порт налагодження |
| ④ Мережевий інтерфейс | ⑤ динамік | ⑥ Гніздо для TF-картки |
| ⑦ Роз’єм тривоги | ⑧ Зарезервовано | ⑨ Роз’єм живлення |

Примітка.

- Зовнішній вигляд пристрою залежить від моделі. Щоб дізнатися більше, див. фактичний пристрій.
- Порт налагодження використовується лише для налагодження.

2 Роз’єм і проводка

Примітка. Інформацію про роз’єм і проводку дивіться на рисунку та в посібнику користувача.

3 Установлення

Перш ніж почати

- Переконайтеся, що упаковка містить пристрій у належному стані та всі деталі з комплекту.
- Забезпечте, щоб усе пов’язане обладнання було вимкнене протягом встановлення.
- Перевірте вимоги до умов встановлення обладнання.

Примітка. Інформацію про встановлення дивіться на рисунку та в посібнику користувача.

4 Початок роботи

1 Активація пристрою

Перш ніж користуватися пристроєм, його необхідно активувати, встановивши надійний пароль. Активуйте пристрій локально або дистанційно за допомогою клієнтського програмного забезпечення iVMS-4200.

2 Швидке налаштування

Дотримуйтеся вказівок у відповідних інтерфейсах.

DS-KH6320-WTE1

Video Intercom Network Indoor Station

РУССКИЙ

Пояснения к рисункам

1 Внешний вид

- | | | |
|--------------------------|-------------------|---------------------|
| ① Экран | ② Микрофон | ③ Порт отладки |
| ④ сетевой интерфейс | ⑤ Динамик | ⑥ Слот для карты TF |
| ⑦ Разъем сигнала тревоги | ⑧ Зарезервировано | ⑨ Клеммы питания |

Примечание.

- Внешний вид устройства может отличаться в зависимости от модели. Подробные сведения см. в документации для конкретного устройства.
- Порт отладки используется только для отладки.

2 Терминал и схема соединения

Примечание. Описание размеров и разводки приведено на рисунке и в руководстве пользователя.

3 Установка

Перед началом работы

- Убедитесь, что устройство в упаковке находится в исправном состоянии, и все составляющие комплекта поставки имеются в наличии.
- Убедитесь, что во время установки все сопутствующее оборудование отключено.
- Изучите технические требования к установке устройства.

Примечание. Для получения информации об установке см. рисунки и руководство пользователя.

4 Начало работы

1 Активировать устройство

Перед использованием устройства необходимо сначала его активировать и установить надежный пароль. Активируйте устройство локально или удаленно с помощью клиентского программного обеспечения iVMS-4200.

2 Быстрая настройка

Выполните инструкции в соответствующих интерфейсах.

