



Technical Specifications

MOBOTIX M73

Flexible. Modular. Unique.

Weatherproof and robust, the latest Generation of our successful M camera models features increased modularity as well as the latest MOBOTIX 7 system platform with intelligent Plug-In App concept. The result is a system completely unrivaled in terms of performance, functionality and design.

- Platform with the most flexible codec support: H.264, H.265*, MxPEG+ and MJPEG
- ONVIF Profile S and T* compliance for highest level of interoperability
- Increased Modularity with flexible usage of a combination of up to 3 sensor or functional modules
- 4K UHD resolution
- Wide Dynamic Range WDR up to 120 dB
- Easy Plug quick fastening system
- Robust in all situations: -40 to 65 °C, IP66 and IK07 protected

* available via Firmware Update Q2 2020

Hardware	
Image sensor (color or B/W sensor)	4K UHD 3840x2160, 16:9
Light sensitivity in lux at 1/60 s and 1/1 s	0.1/0.005 (Color) 0.02/0.001 (B/W)
Video Codecs	H.264, H.265* with Triple-Streaming MxPEG+ MJPEG
Protection class M73 Body	IK07
Protection class sensor & functional modules	IK07
Ex Area	Not for use in hazardous areas (Ex Area)
Ambient temperature (range, incl. storage)	-40 to 65 °C / -40 to 149 °F (cold boot from -30 °C/-22 °F)
Internal DVR, ex works	MicroSD card (8GB), MxPEG+ recording
I/Os	1 input/1 output
Microphone/speaker	via Line In/ Out onboard; or via Audio Module **
Passive infrared sensor (PIR)	Available with functional module *
IR illumination	Three functional modules available for wide-angle, standard and tele lens
Shock detector (tamper detection)	Yes
Max Power consumption	25 Watts
PoE Class (IEEE 802.3at)	PoE class 4
Interfaces Ethernet 1000BaseT/MxBus/miniUSB	Yes / No / Yes **
Mounting option	Wall or Pole Mounting
Dimensions (height x width x depth)	228 x 153 x 232 mm
Weight	Approx. 2,000 g
Housing	Aluminium, PBT-30GF
Standard accessory	1x module blind plug, 3x plug umbrella, 3x clamping wedge module, 1x Allen key SW5, 1x Allen key SW2, 1x TORX key, 1x screwdriver, 4x washer, 4x Spax screw, 4x dowel, 1x key, 1x plug white 3-5mm
Detailed technical documentation	www.mobotix.com > Support > Download Center
Online version of this document	www.mobotix.com > Support > Download Center
MTBF	More than 80,000 hours
Certifications	EN55032; EN55035; EN50121-4 EN61000-6-1; EN 61000-6-2 EN61000-6-3 EN61000-6-4 AS/ NZS CISPR32 CFR47 FCC part15B EN62368; NRTL
Protocols	DHCP (client and server), DNS, ICMP, IGMP v3, IPv4, IPv6, HTTP, HTTPS, FTP, FTPS, NFS, NTP (client and server), RTP, RTCP, RTSP, SIP (client and server), SMB/CIFS, SNMP, SMTP, SSL/TLS v1.3, UDP, VLAN, VPN, Zeroconf/mDNS
Manufacturer's warranty	3 years

* available via Firmware Update Q2 2020

** available via Firmware Update Q1 2020

Image Formats, Frame Rates, Image Storage	
Available video codecs	MxPEG+/MJPEG/H.264/ H.265 *
Image resolutions	VGA 640x360, XGA 1024x576, HD 1280x720, FullHD 1920x1080, QHD 2560x1440, 4K UHD 3840x2160
H.264 Multistreaming	Triple Streaming
Multicast stream via RTSP	Yes
Max. image resolution (dual image from both sensors)	4K UHD 3840x2160
Max. frame rate	MxPEG: 20@4K H.264: 30@4K H.265: 30@4K *

* available via Firmware Update Q2 2020

General Functions	
WDR	120 dB
Digital zoom and pan	Yes
ONVIF compatibility	Profile S, T *
Genetec protocol integration	Yes
Programmable exposure zones	Yes
Snapshot recording (pre/post-alarm images)	Yes
Continuous recording	Yes
Event recording	Yes
Time controlled flexible event logic	Yes
Weekly schedules for recordings and actions	Yes
Event video and image transfer via FTP and email	Yes
Playback via web browser	Yes
Animated logos on the image	Yes
Master/Slave functionality	Yes
Privacy zone scheduling	Yes
Remote alarm notification (network message)	Yes
Programming interface (HTTP-API)	Yes
DVR/Storage Management (MxPEG+ only)	Inside camera via microSD card, externally via USB and NAS devices, different streams for live image and recording, MxFFS with buffered archive function, pre-alarm and post-alarm images, monitoring recording with failure reporting
Camera and data security	User and group management, SSL connections, IP-based access control, IEEE802.1x, intrusion detection, digital image signature
MxMessageSystem	Yes

* available via Firmware Update Q2 2020

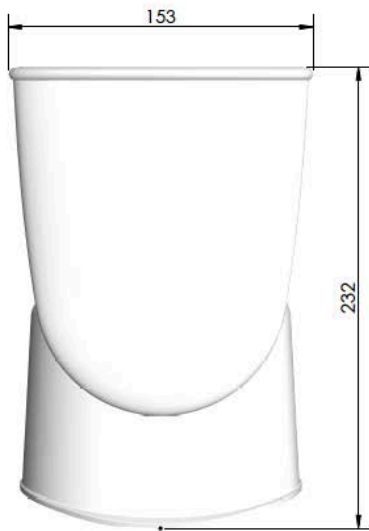
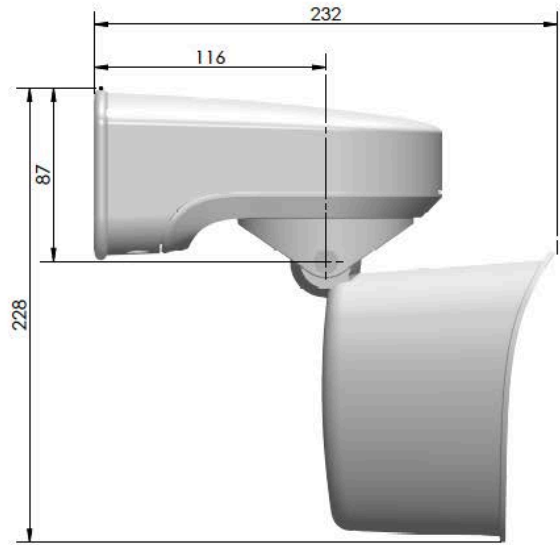
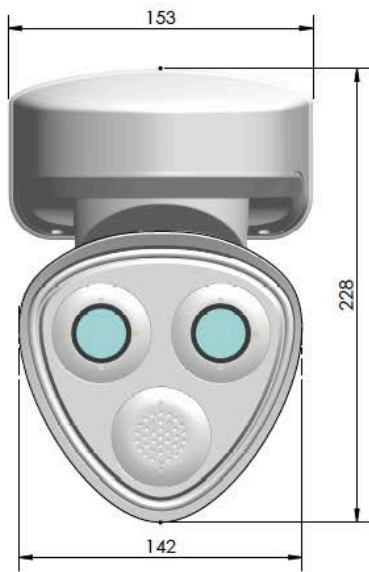
Video Analysis	
Video motion	Yes
MxActivitySensor	Version 1.0, 2.1 and MxActivitySensor AI *
MxAnalytics	Heatmap, People Counting & Object Based Counting
MOBOTIX App Support	Yes
Video Management Software	
MxManagementCenter	Yes (MxMC 2.2 or higher)
MxBell	Yes

* available via Firmware Update Q2 2020

Modular Features	
Supported Sensor Modules	
Sensor module with Super Wide Lens 95°	4K Sensor Module for M73 available as D/N IR cut / Day / Night Version
Sensor module with Standard Lens 45°	4K Sensor Module for M73 available as D/N IR cut / Day / Night Version
Sensor module with Distant Tele Lens 15°	4K Sensor Module for M73 available as D/N IR cut / Day / Night Version
Supported Functional Modules	
Functional Audio Module	Microphone / Loudspeaker
Functional MultiSense Module	PIR sensor, Temperature sensor, Illumination sensor, Microphone
Functional IR Light Modules	IR Illumination supporting different lens angles: 15°, 45° and 95°

Order Information	
M73 Camera Body and Modules	
Mx-M73A-RJ45	M73 Body (Color: White) with RJ45 installation board
Mx-M73A-RJ45-WG	M73 Body (Color: White Gray) with RJ45 installation board
Sensor Modules	
Mx-O-M7SA-8DN050	MOBOTIX 7 - 95° 4k IR Cut Sensor Module
Mx-O-M7SA-8DN100	MOBOTIX 7 - 45° 4k IR Cut Sensor Module
Mx-O-M7SA-8DN280	MOBOTIX 7 - 15° 4k IR Cut Sensor Module
Mx-O-M7SA-8D050	MOBOTIX 7 - 95° 4k Day Sensor Module
Mx-O-M7SA-8D100	MOBOTIX 7 - 45° 4k Day Sensor Module
Mx-O-M7SA-8D280	MOBOTIX 7 - 15° 4k Day Sensor Module
Mx-O-M7SA-8N050	MOBOTIX 7 - 95° 4k Night Sensor Module
Mx-O-M7SA-8N100	MOBOTIX 7 - 45° 4k Night Sensor Module
Mx-O-M7SA-8N280	MOBOTIX 7 - 15° 4k Night Sensor Module
Functional Modules	
Mx-F-AUDA	Audio Module equipped with microphone / loudspeaker
Mx-F-IRA-W	IR Light Module for wide lens sensor modules (95°)
Mx-F-IRA-S	IR Light Module for standard lens sensor modules (45° - 60°)
Mx-F-IRA-T	IR Light Module for tele lens sensor modules (15° - 30°)
Mountings	
Mx-M-PM-M73	Pole mount for M73

M73 Apps Order Information	
A.I. Tech Apps (all with embedded Dashboard)	
Mx-APP-AI-PEO	People counting through overhead camera
Mx-APP-AI-HEA	Heatmap
Mx-APP-AI-OCC	Occupancy evaluation
Mx-APP-AI-OVERO	Over/under occupancy evaluation
Mx-APP-AI-CRO	Crowd estimation in crowded areas through overhead camera
Mx-APP-AI-OVER	Overcrowded area detection
Mx-APP-AI-BIO	Gender recognition and age estimation through frontal camera
Mx-APP-AI-INTP	Tripwire with multiple lines & intrusion detection
Mx-APP-AI-LOS	Abandoned/removed object detection
Mx-APP-AI-LOI	Loitering behavior detection
Mx-APP-AI-FIRE	Flame detection through standard optic
Mx-APP-AI-SMO	Smoke detection through standard optic
Mx-APP-AI-SPI	Person fall detection
Mx-APP-AI-ROA3	Vehicle counting and classification, average speed, high speed, color estimation, traffic density
Mx-APP-AI-INC	Pedestrian detection, congestion, stopped vehicle, wrong way vehicles
Mx-APP-AI-PAR-D	Evaluation of free and occupied parking lots based on deep learning
A.I. Tech Apps Bundles	
Mx-APP-AI-B-SEC	Bundle of A.I. Tech Security Apps: AI-Intrusion-Pro, AI-Loitering, AI-Lost
Mx-APP-AI-B-TRA	Bundle of A.I. Tech Traffic Apps: AI-Road3D, AI-Incident
Mx-APP-AI-B-RET	Bundle of A.I. Tech Retail Apps: AI-People, AI-Heat, AI-Occupancy, AI-Overoccupancy, AI-Crowd, AI-Overcrowd
Mx-APP-AI-B-FIR	Bundle of A.I. Tech Fire & Smoke Apps: AI-Fire, AI-Smoke
Visage Technologies App	
Mx-APP-VIS-FR	Detection and recognition of faces incl. gesture-based liveness detection



M73: Dimensions in mm



From left to right: Image Sensor Module, IR Light Module, Audio Module, Pole Mount