



Technical Specifications

MOBOTIX MOVE 5MP Indoor Micro Dome Camera

The MOBOTIX MOVE 5MP Indoor Micro Dome Camera is equipped with a small yet robust 3-axis gimbal design. The fixed lens can be adjusted to the desired angle, allowing to capture the ideal field of view even when installing the camera at an unfavorable position. The **WDR engine** utilizes state-of-the-art image processing technology, providing up to 5-mega-pixel, high-quality WDR video with IR illumination. Its WDR capability captures more image details under challenging light conditions, such as receptions, hallways, and staircases.

- Progressive Scan CMOS Sensor supports up to 2720x1976 (5MP) resolution
- True WDR 120 dB
- Multi Codec support (H.265/H.264/MJPEG)
- Low-Latency Streaming/Quad Streams support
- True Day/Night function (ICR)
- IR LEDs (working distance up to 15 m)
- Audio support (integrated microphone and speaker)
- 3D Motion Compensated Noise Reduction (MCTF)
- Smart Event functions:
 - Motion Detection
 - Network Failure Detection/Tampering Alarm
 - Periodical Event/Manual Trigger
- Text Overlay and Privacy Masks
- Micro SD/SDHC/SDXC Card support (SD up to 1TB)
- ONVIF Profile S/G/T support



Technical Specifications

MOBOTIX MOVE 5MP Indoor Micro Dome Camera

Product Information

Product Name	5MP Indoor Micro Dome Camera
Order Code	Mx-MD1A-5-IR

Image Quality

Image Sensor	OmniVision 5MP, 1/2.7" Progressive scan
Effective (Used) Pixels	H x V = 2720x1976 (5MP)
Pixel Size	2.0 μm
Frame Rate (maximum)	H.265: 5MP@30fps + 720p@30fps H.264: 5MP@30fps + 720p@30fps MJPEG: 1080p@30fps

Lens

Minimum Illumination	Color: 0.17 lux B/W: 0.04 lux
Lens Characteristics	Focal length: 2.8 mm Aperture: F2.0 Horizontal field of view: 108.3° Vertical field of view: 76.5°

Camera

Day/Night	Automatically switchable IR-cut filter
Shutter Time	1 to 1/10000 s (WDR)
WDR	True WDR 120 dB
Zoom	Digital: 10x
Image Settings	Color, Brightness, Sharpness, Contrast, White Balance, Exposure Control, 2DNR, 3DNR, NR by Motion Masking, Text Overlay
Image Rotation	90°, 180°, 270°

Video Codec

Compression/Encoding	H.265/H.264/MJPEG
Streaming	Up to 4 individually configurable streams in H.264/H.265/MJPEG Configurable resolution/frame rate/bandwidth VBR/CBR in H.265/H.264

Audio Codec

Compression/Encoding	G.711/G.726/LPCM
Streaming	2-Way, bidirectional
Audio Input	Integrated microphone/Audio In terminal block
Audio Output	Integrated speaker/Audio Out terminal block

NOTE! To avoid audio quality degradation, **do not** connect the built-in microphone and external audio-input device (via Line In) at the same time. The same applies to the audio output connections.

Cyber Security Features

Password Protection	Yes
IP address filtering	Yes
IEEE 802.1X network access control	Yes
Digest authentication	Yes
AES encryption for password protection	Yes
SNMP, TLS, HTTP, HTTPS	Yes
User and Group Management	Yes
SSL connections	Yes
VPN	Yes
Digital image signature	Yes
RSA encryption (2048 bits)	Yes

Technical Specifications

MOBOTIX MOVE 5MP Indoor Micro Dome Camera

Network

Interface	10/100 Mbps Ethernet
Supported Protocols	ARP, PPPoE, IPv4/v6, ICMP, IGMP, QoS, TCP, UDP, DHCP, UPnP, SNMP, SMTP, RTP, RTSP, HTTP, HTTPS, FTP, NTP, DDNS, SMBv2
ONVIF Conformance	Supports profiles S/G/T
Supported Browsers	All current browsers are supported.

System Integration

Base Video Analytics	<ul style="list-style-type: none">▪ Motion Detection▪ Tampering
Event Triggers	<ul style="list-style-type: none">▪ Analytics▪ Network failure detection▪ Periodical event▪ Manual trigger
Event Actions	<ul style="list-style-type: none">▪ Video recording to edge storage▪ File upload: FTP, network share and email▪ Notification: HTTP, FTP, email

General

Casing	Plastic
Power Requirements	PoE IEEE802.3af, class 0, max 3.27 W
PoE Modes Supported	Mode A or Mode B
Connectors	<ul style="list-style-type: none">▪ RJ45▪ Audio In terminal block▪ Audio Out terminal block
IR Illumination	850 nm; up to 15 m distance depending on scenery reflection
Video Storage	Micro SD/SDHC/SDXC card support up to 1 TB, Support for recording to NAS, MOBOTIX MOVE NVR
Environmental Protection Class	Indoor IK8
Operating Temperature	-30 to 55 °C/-22 to 131 °F

Technical Specifications

MOBOTIX MOVE 5MP Indoor Micro Dome Camera

Relative Humidity	10 to 90 % non-condensing
-------------------	---------------------------

Storage Conditions	-20 to 70 °C/-4 to 158 °F
--------------------	---------------------------



Approvals	EMC: CE/FCC
-----------	-------------

Dimensions	ø 105 x 65 mm
------------	---------------

Weight	248 g
--------	-------

NOTE! Observe the [MOBOTIX MOVE Installation Hints](#) document to ensure optimum performance of the camera features.

Accessories

Picture	Order Code	Description
	Mx-NPA-UPOE1A-60W	UPoE Network Power Injector 60 W
	Mx-A-ETP1A-2601-SET	Media Converter Set Ethernet (PoE+) – Twisted-Pair

Dimensions

NOTE! Download the drilling template from the section or on the MOBOTIX website: www.mobotix.com > Support > Download Center > Marketing & Documentation > Drilling Templates.

CAUTION! Always print or copy the drilling template at 100% of the original size!

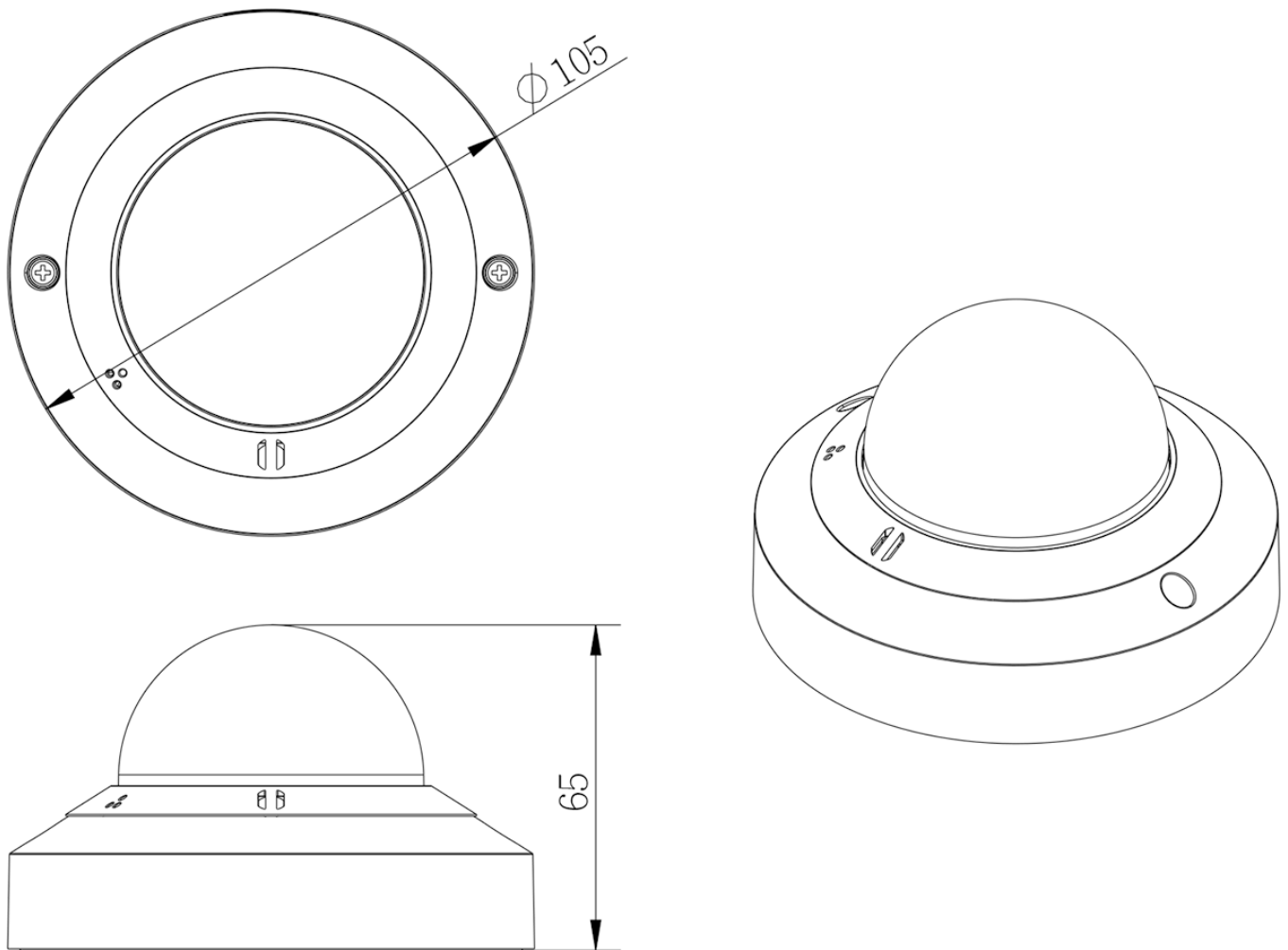


Fig. 1: 5MP Indoor Micro Dome Camera: All measurements in mm

Further Reading

Manuals and Quick Installation documents



Technical Specifications



MOBOTIX MOVE Installation Hints



MOBOTIX

BeyondHumanVision

[EN_09/22](#)

MOBOTIX AG • Kaiserstrasse • D-67722 Langmeil • Tel.: +49 6302 9816-103 • sales@mobotix.com • www.mobotix.com

MOBOTIX is a trademark of MOBOTIX AG registered in the European Union, the U.S.A., and in other countries. Subject to change without notice. MOBOTIX do not assume any liability for technical or editorial errors or omissions contained herein. All rights reserved. © MOBOTIX AG 2020