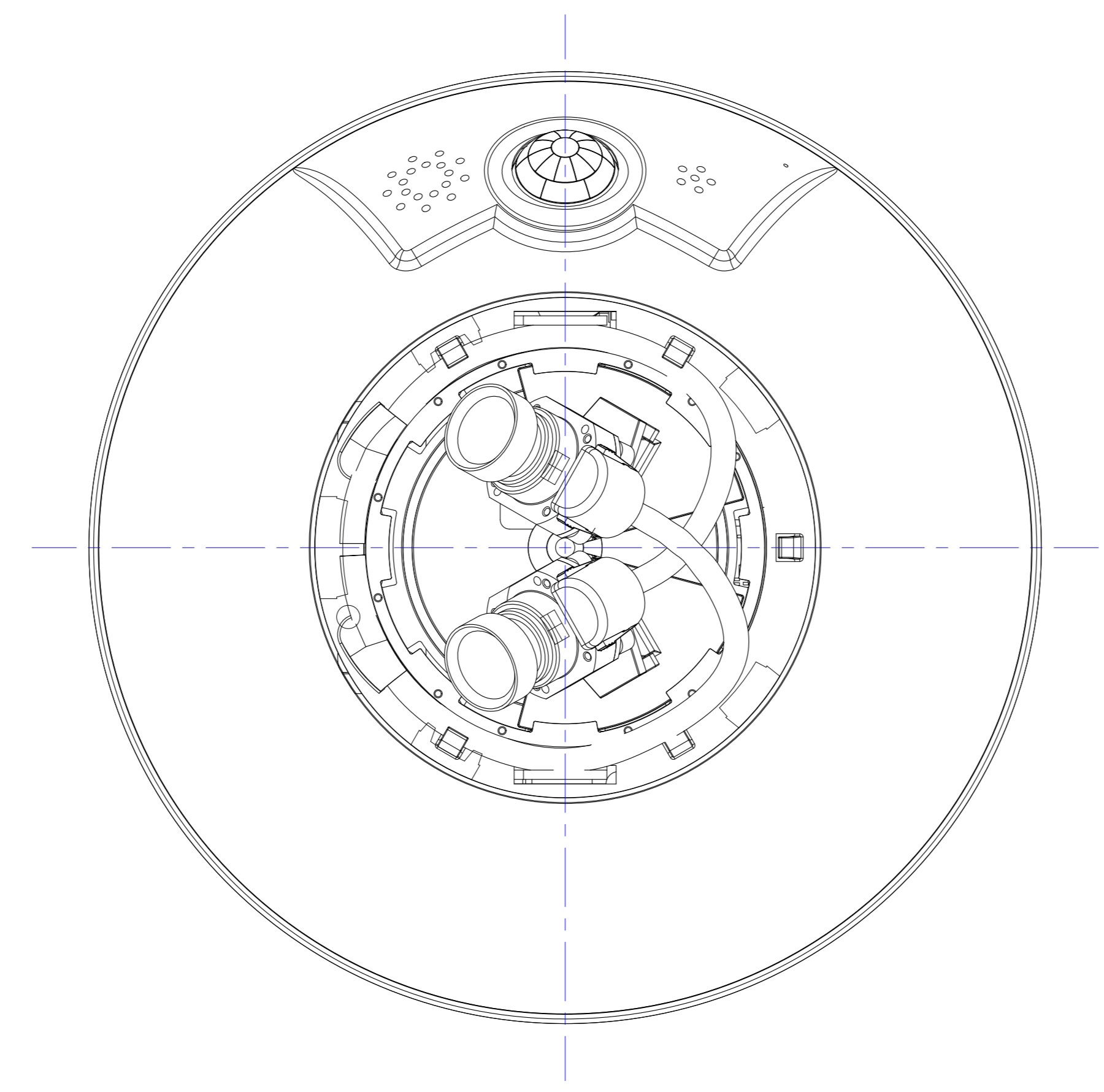
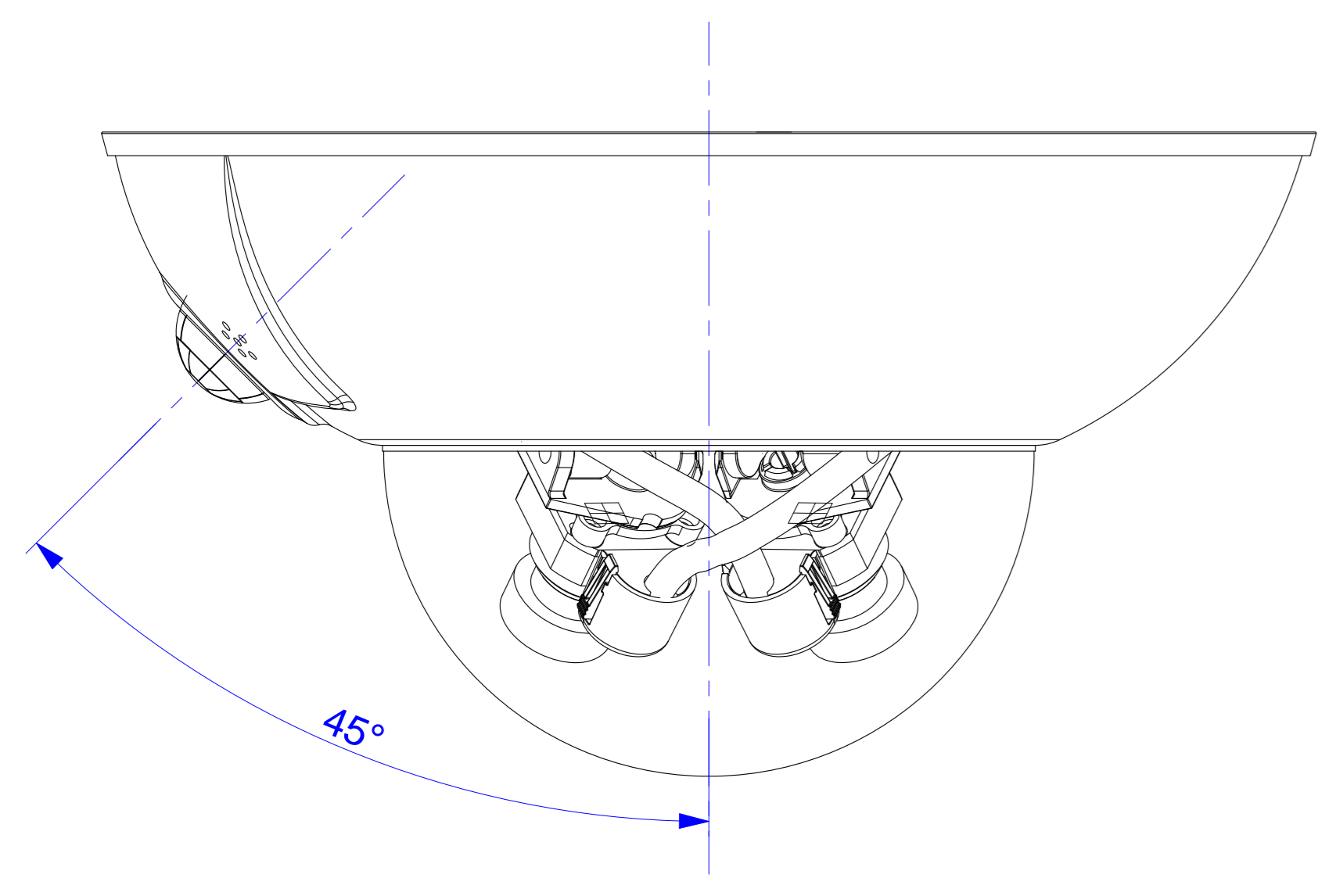


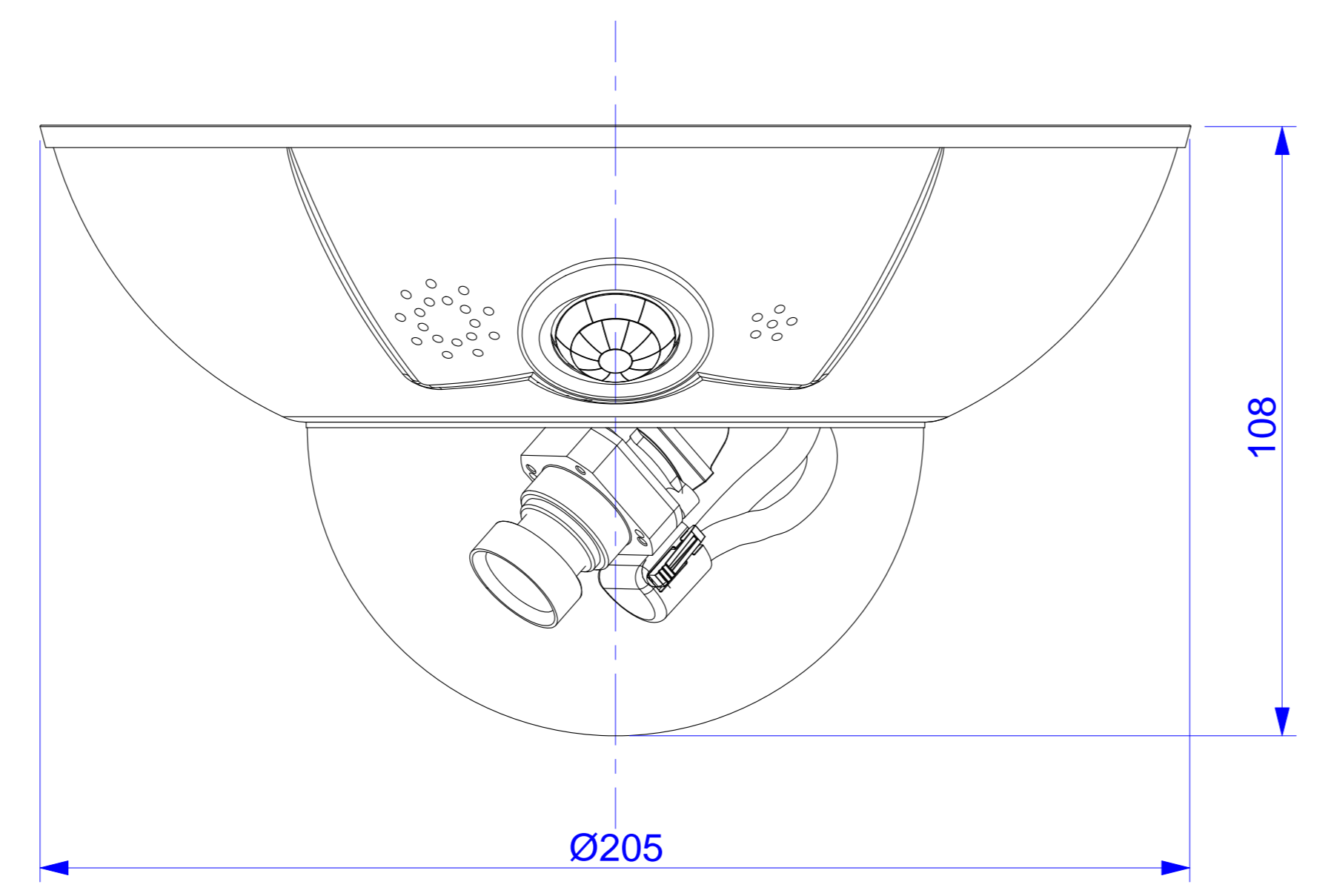
Top



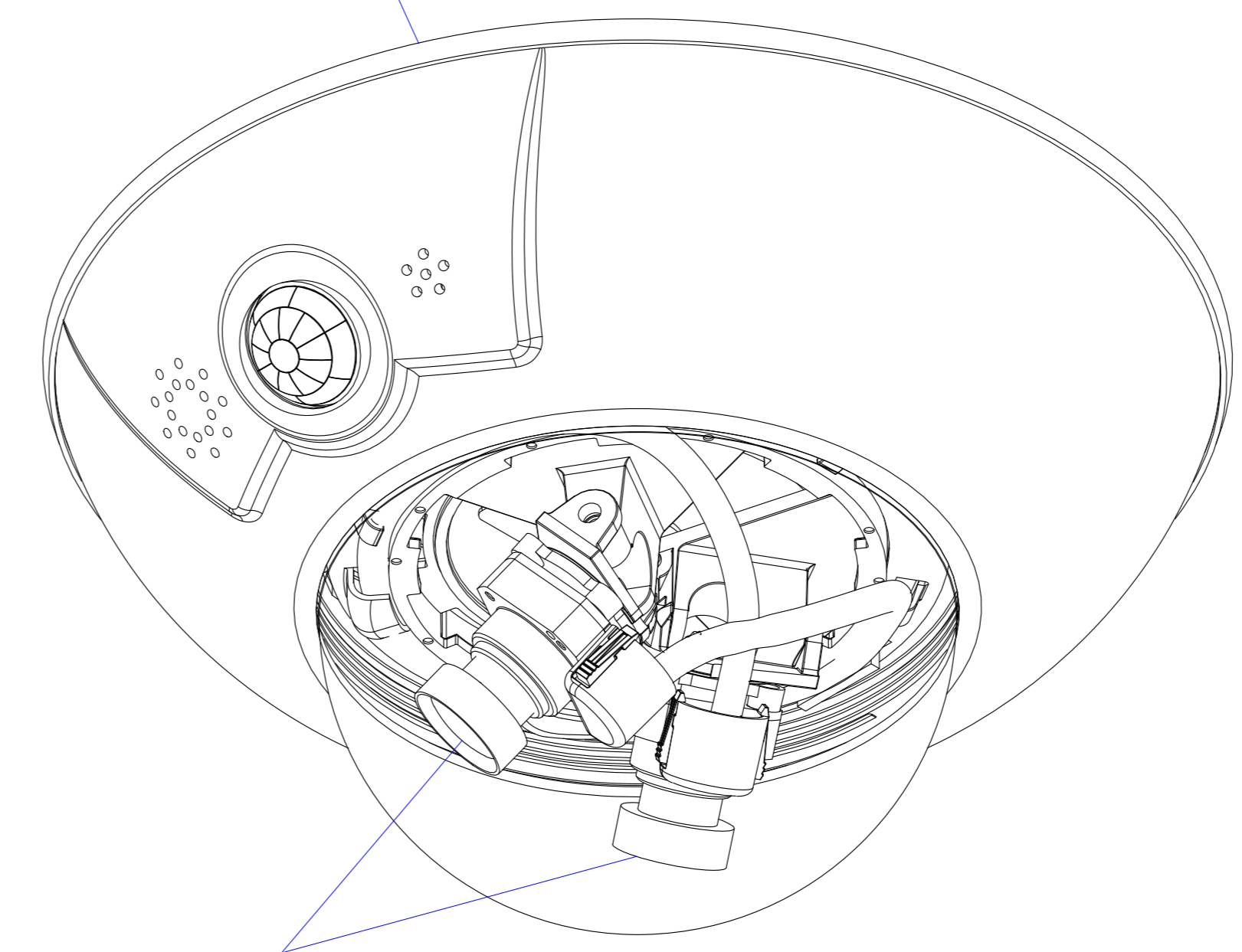
Side



Front

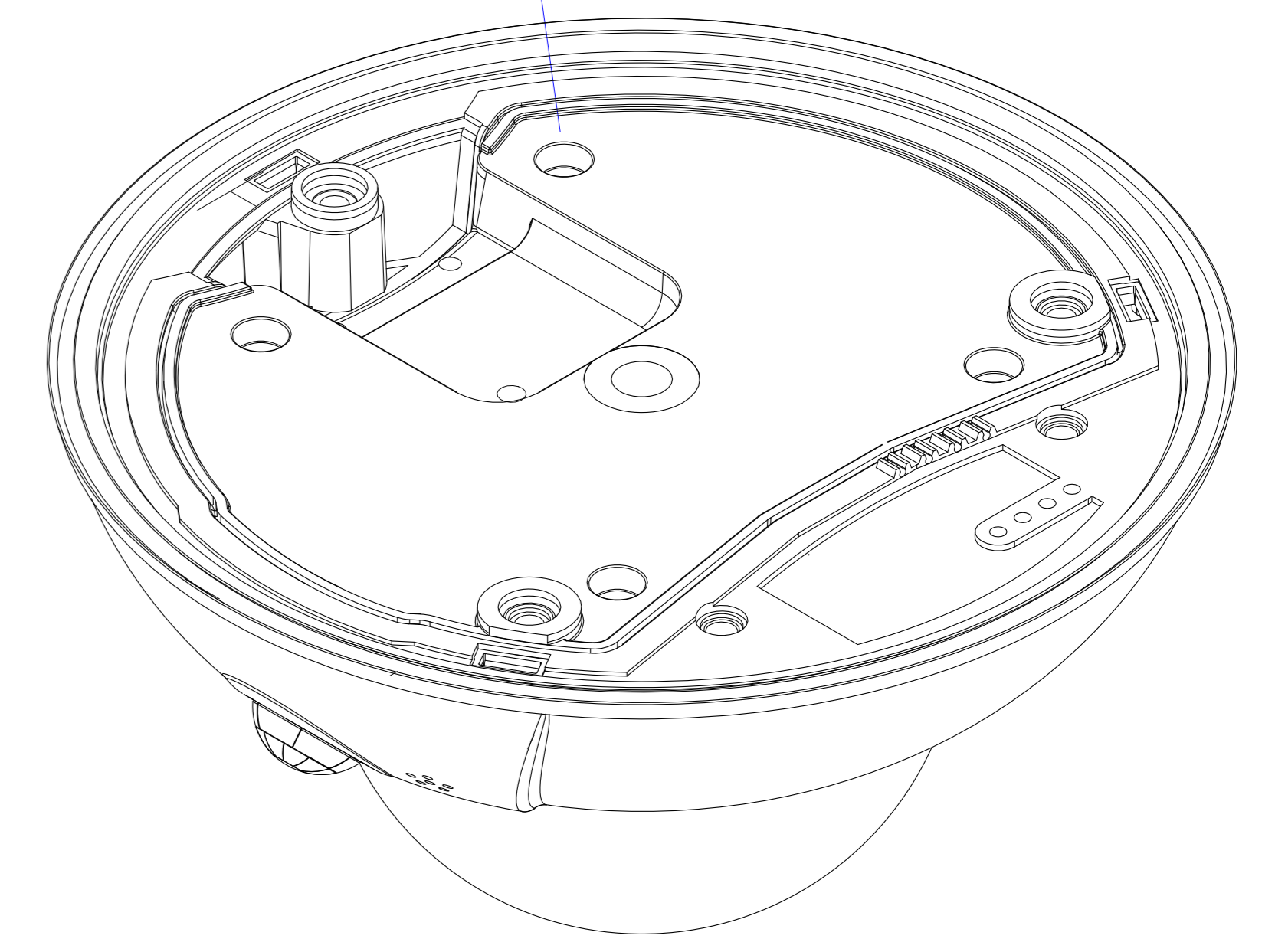


Camera housing

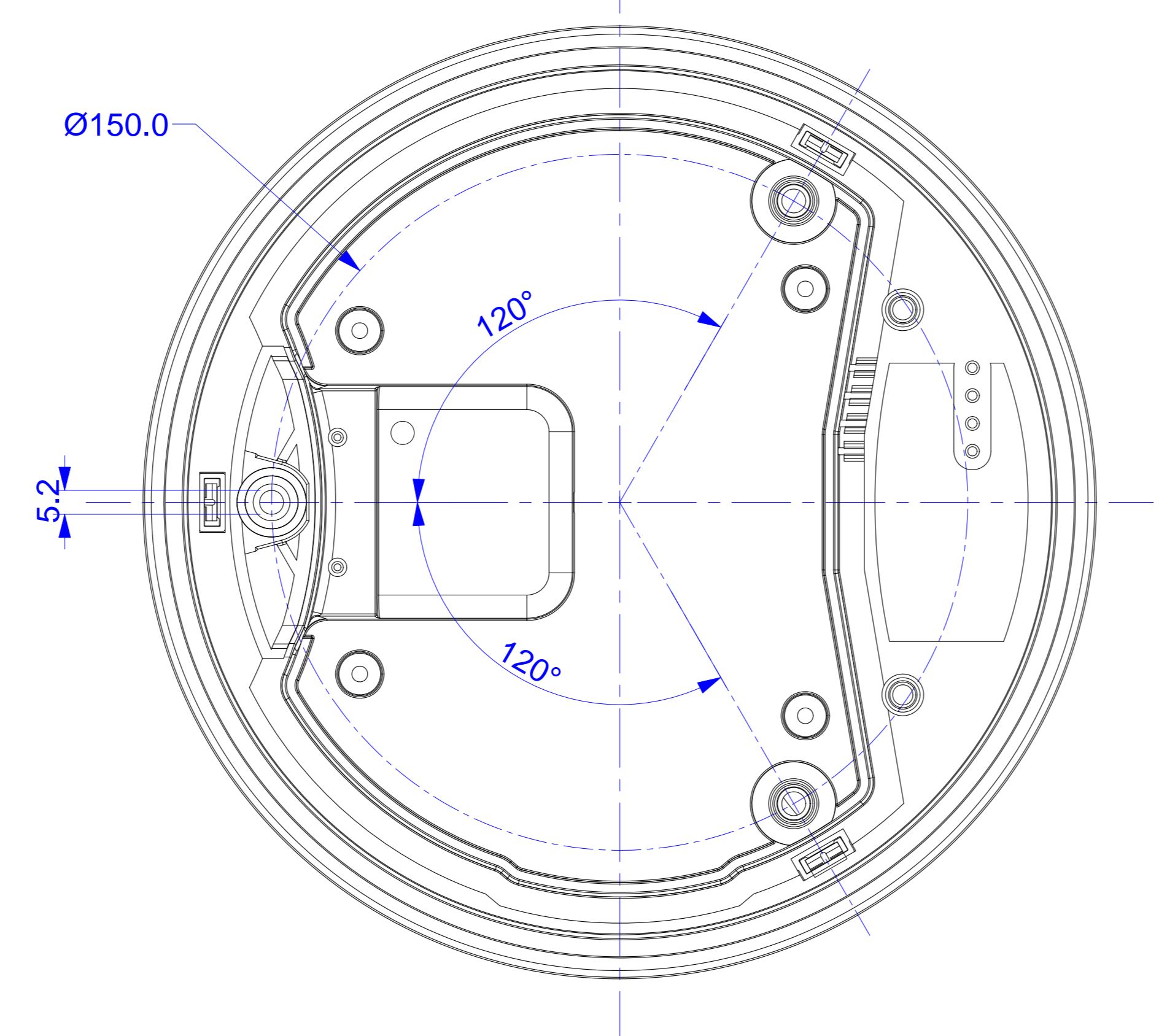


Lens


Mounting plate



Bottom

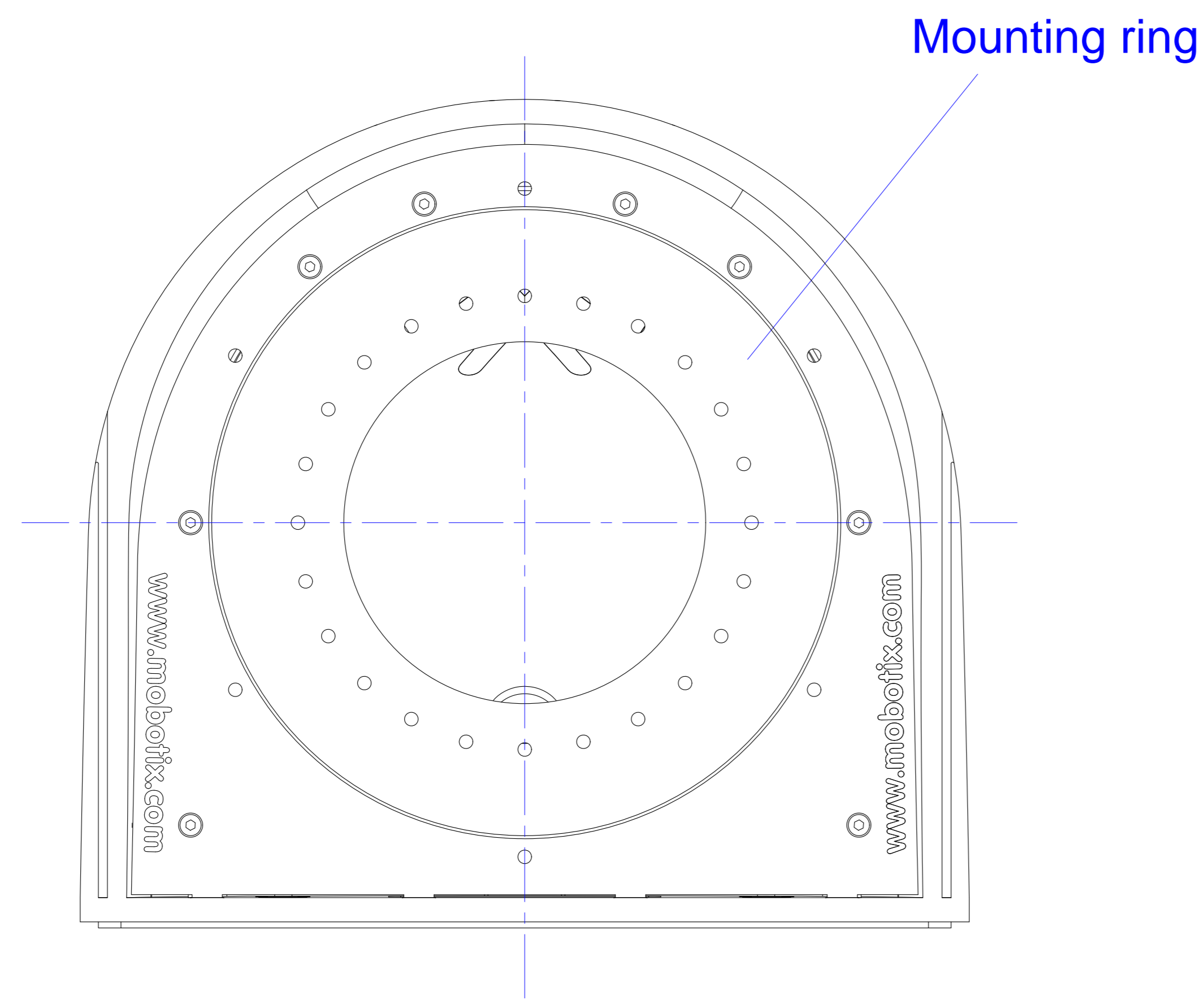


For internal use only. Technical specifications subject to change without notice. MOBOTIX does not assume responsibility for mistakes and recommends to verify measures and mechanical design with an actual product of the chosen MOBOTIX hardware. The reproduction, distribution and utilization of this document as well as the communication of its contents to others without express authorization is prohibited. Offenders will be held liable for the payment of damages. All rights reserved in the event of the grant of a patent, Utility model, design or trademark. No rights are transferred herewith.

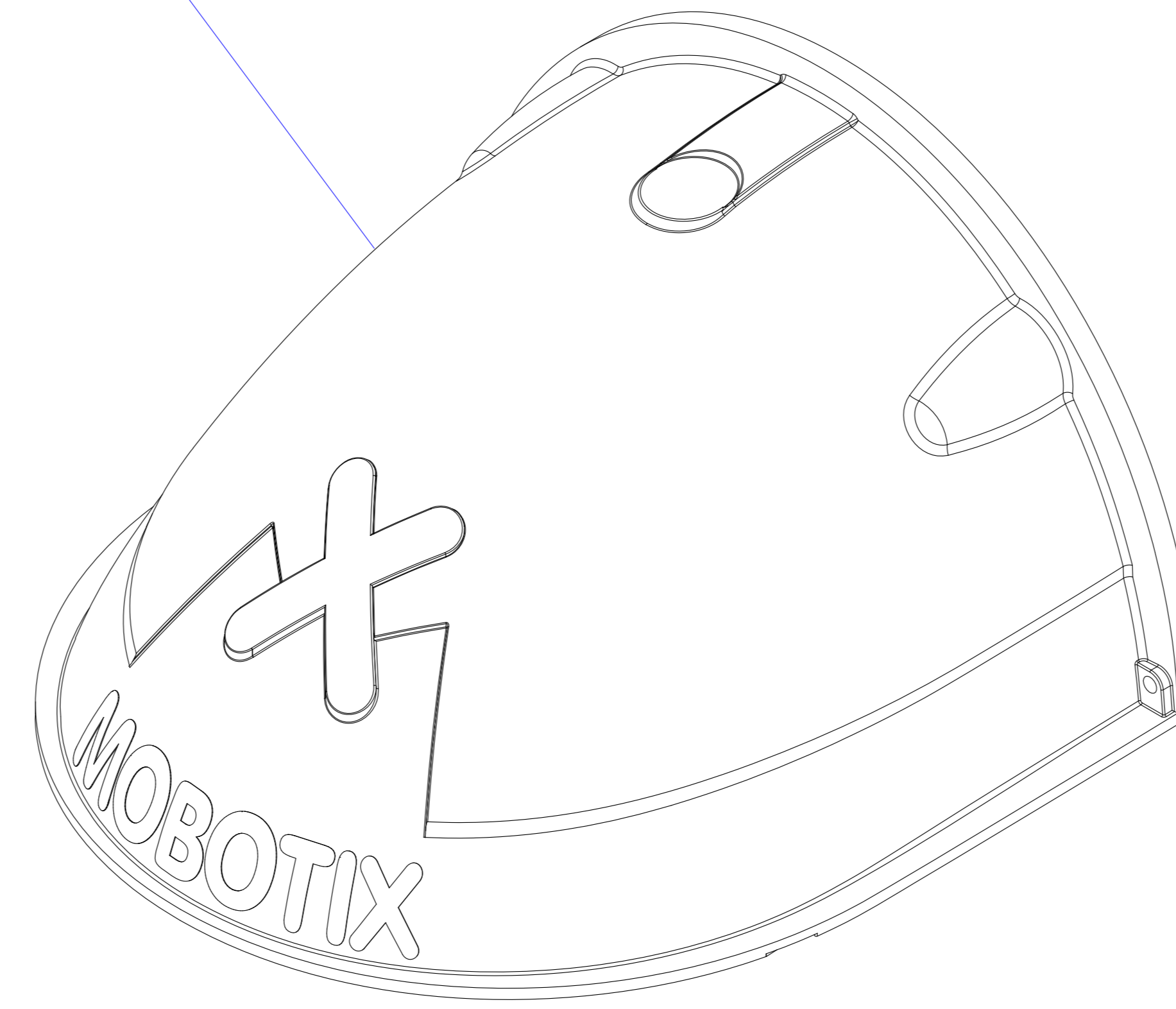
All measures are in mm		Surface quality		 Company <b>MOBOTIX AG</b>	
Drawn	Name SBe	Signature	Date 14.03.13	Product <b>D15 Camera</b>	
Tested					
Approved					
Production					
Quality				Material	Drawing DIN A0
				Weight	Scale 1:1 Page 1/1



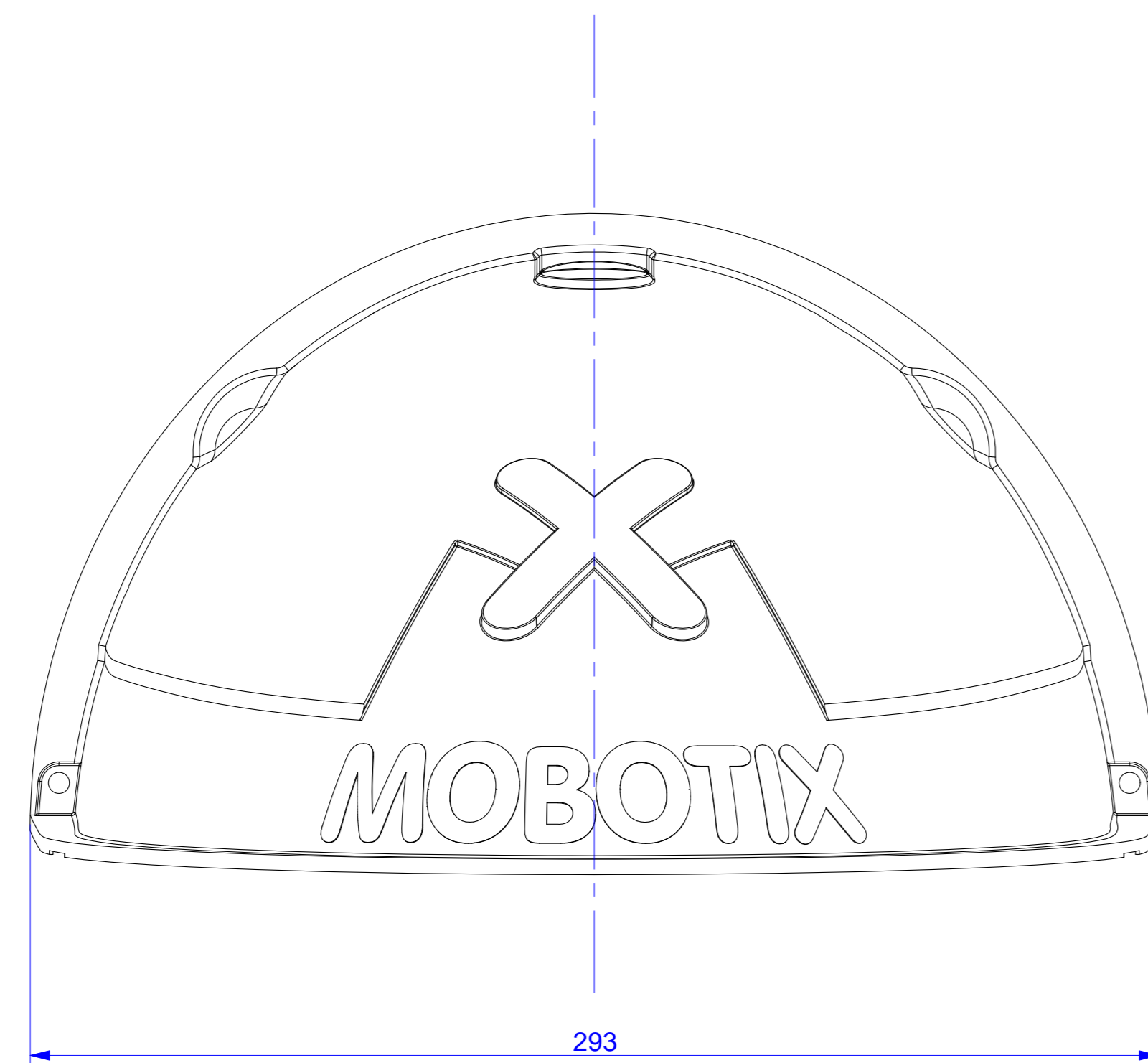
Top



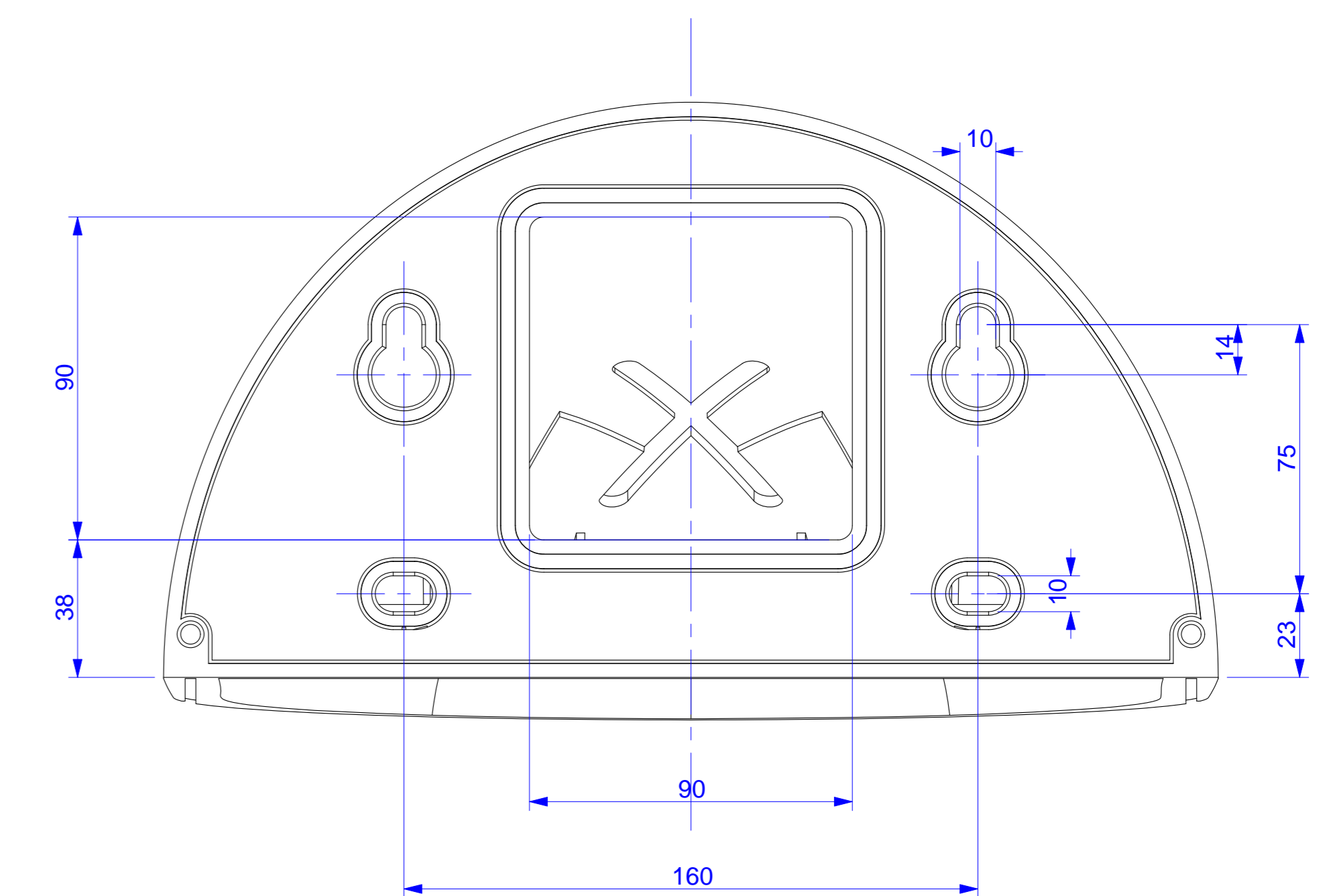
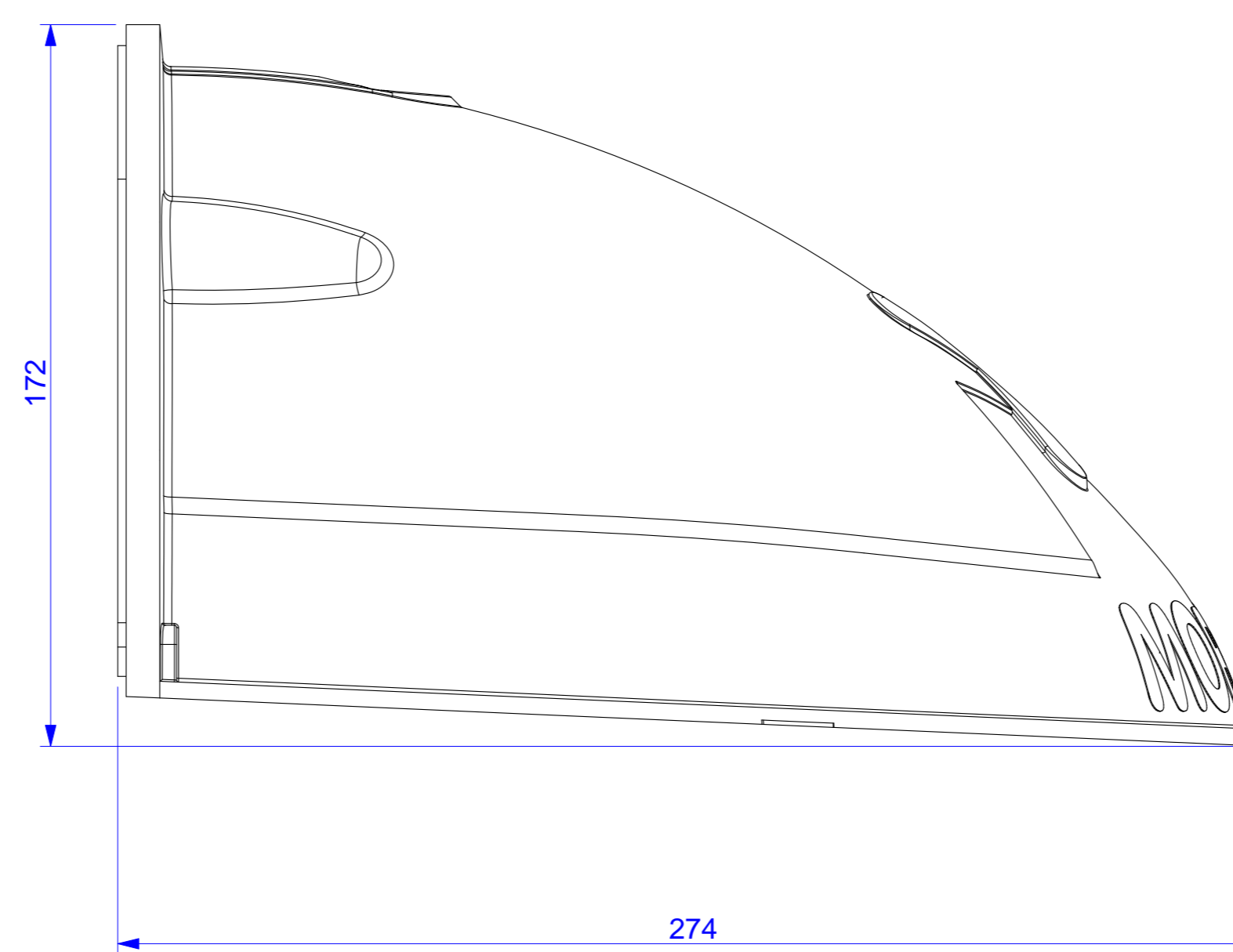
Housing



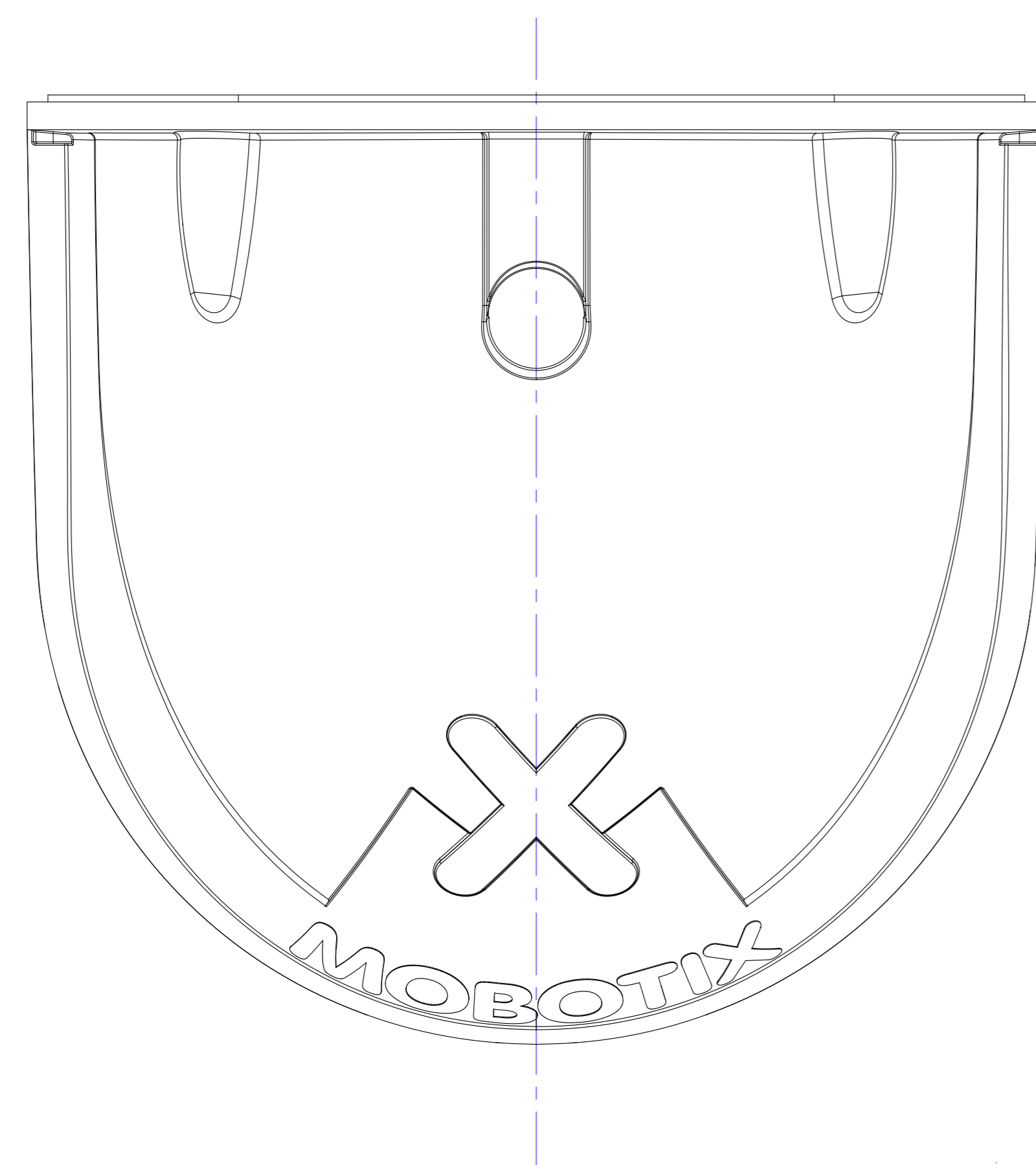
Front



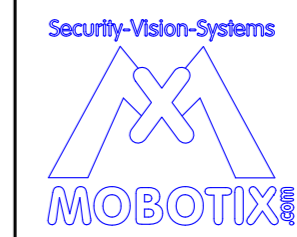
Side



Bottom



For internal use only. Technical specifications subject to change without notice. MOBOTIX does not assume responsibility for mistakes and recommends to verify measures and mechanical design with an actual product of the chosen MOBOTIX hardware. The reproduction, distribution and utilization of this document as well as the communication of its contents to others without express authorization is prohibited. Offenders will be held liable for the payment of damages. All rights reserved in the event of the grant of a patent, Utility model, design or trademark. No rights are transferred herewith.

All measures are in mm		Surface quality				Company		MOBOTIX AG	
Name		Signature		Date		Product		D15 Wall Mount	
Drawn		SBe		14.03.13					
Tested									
Approved									
Production									
Quality				Material		Drawing		DIN A0	
				Weight		Scale 1:1		Page 1/1	