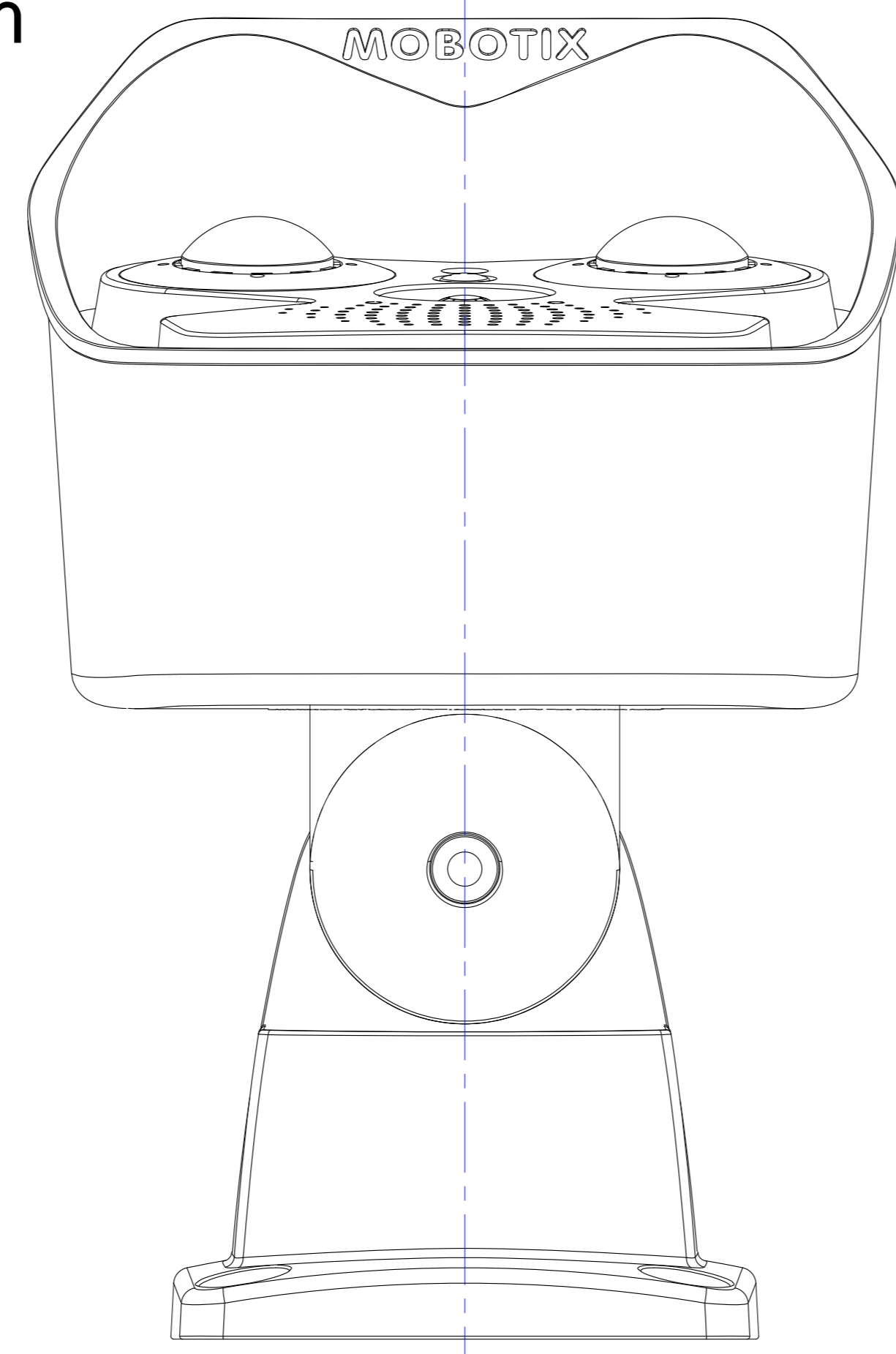
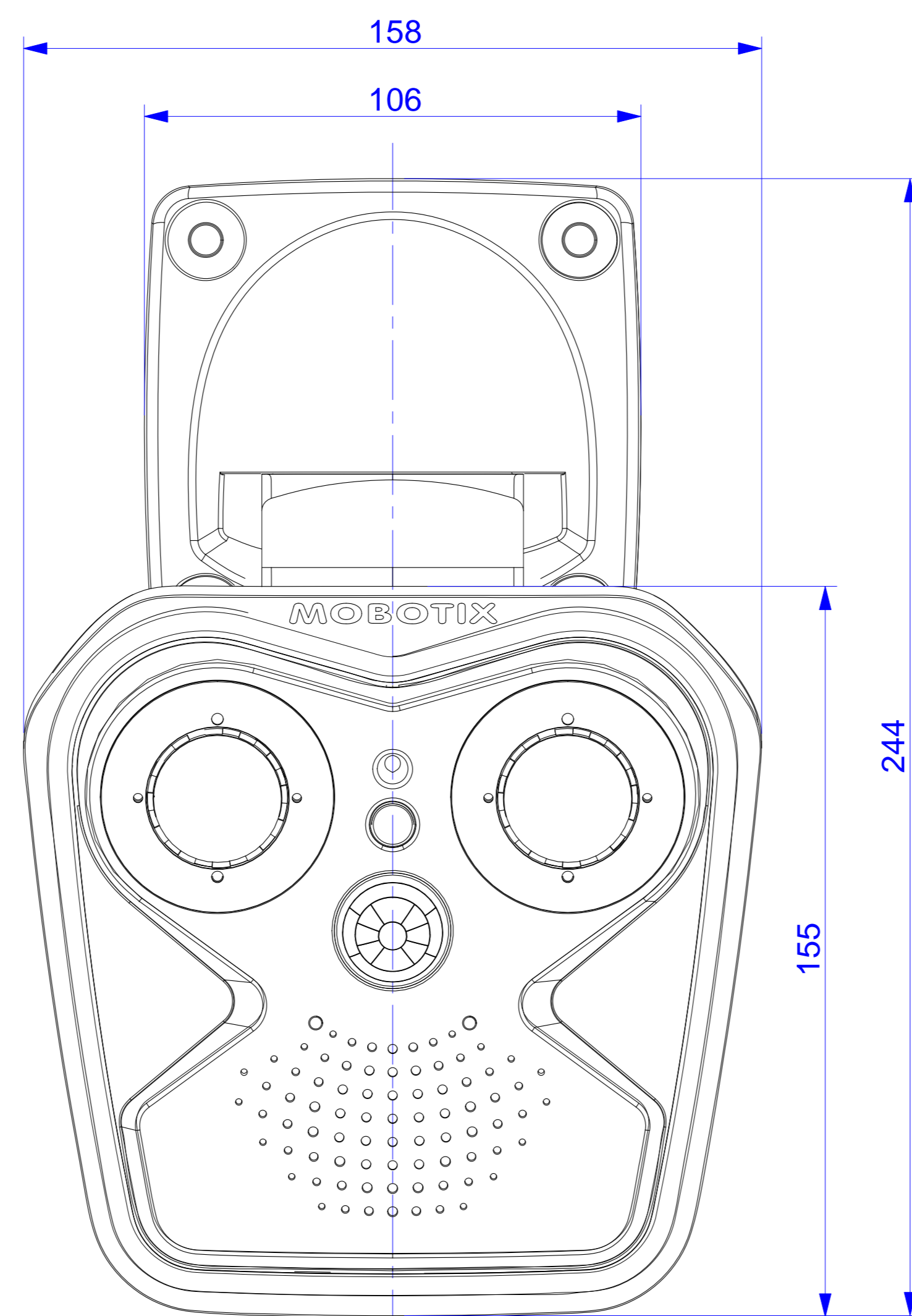


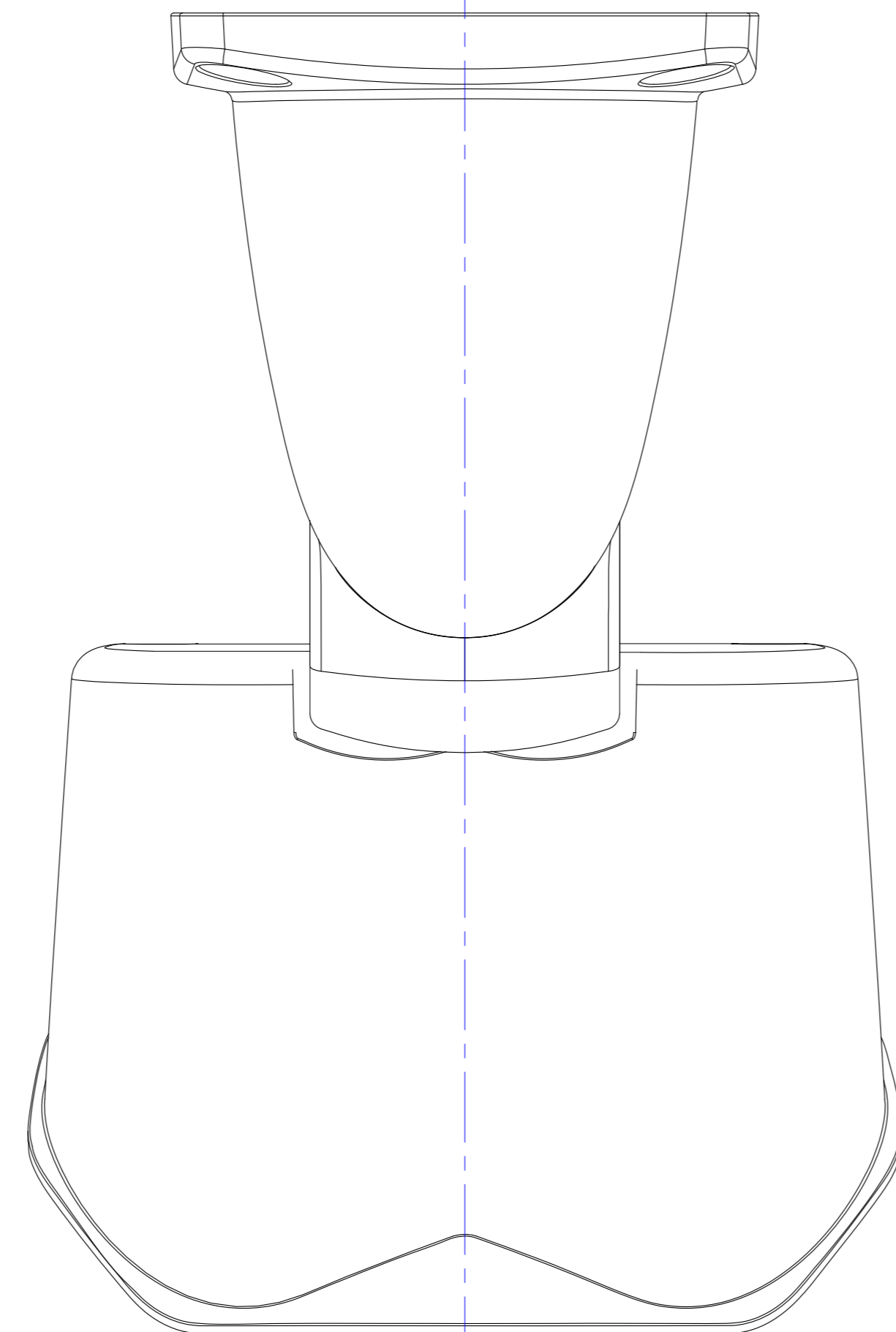
Bottom



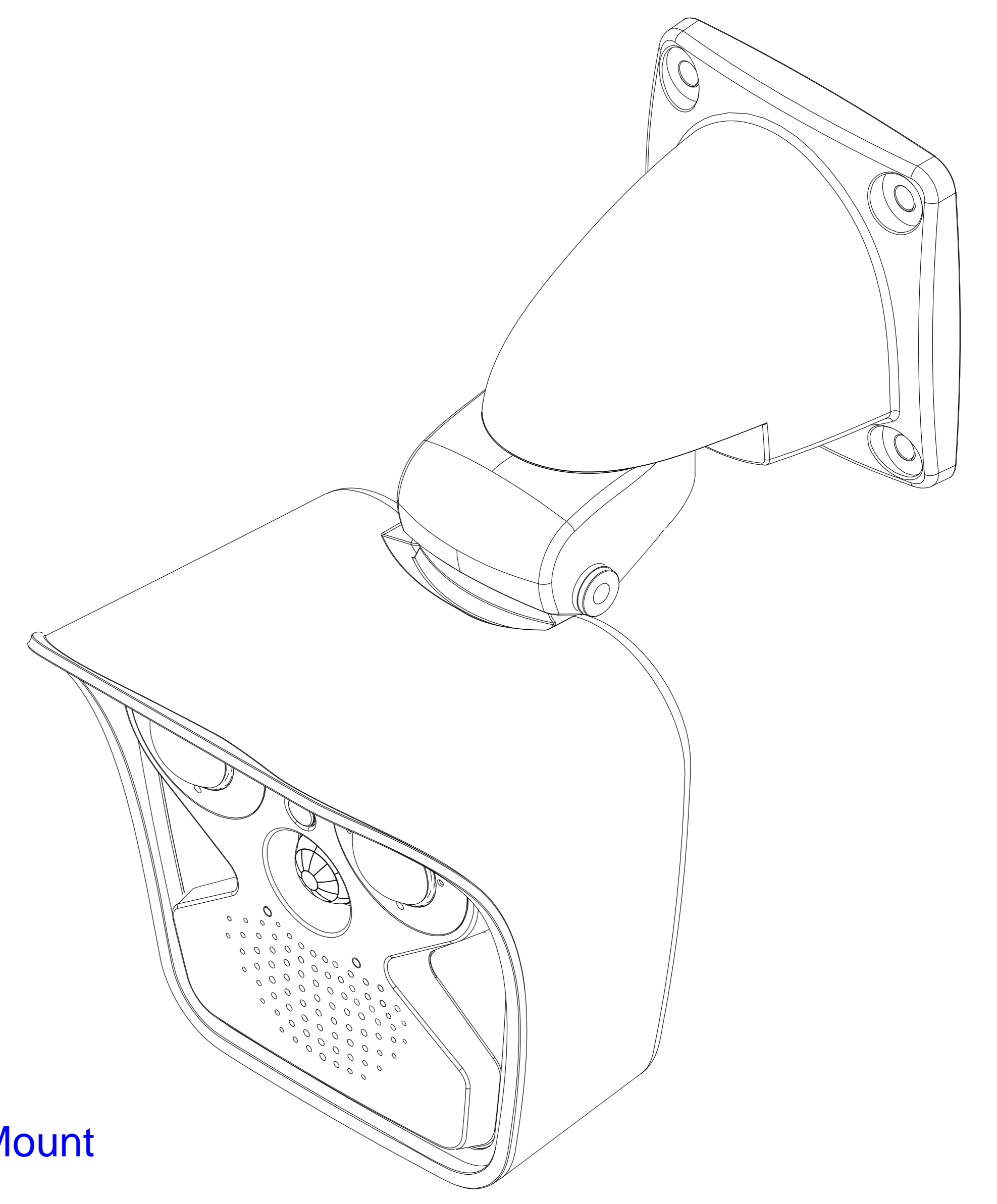
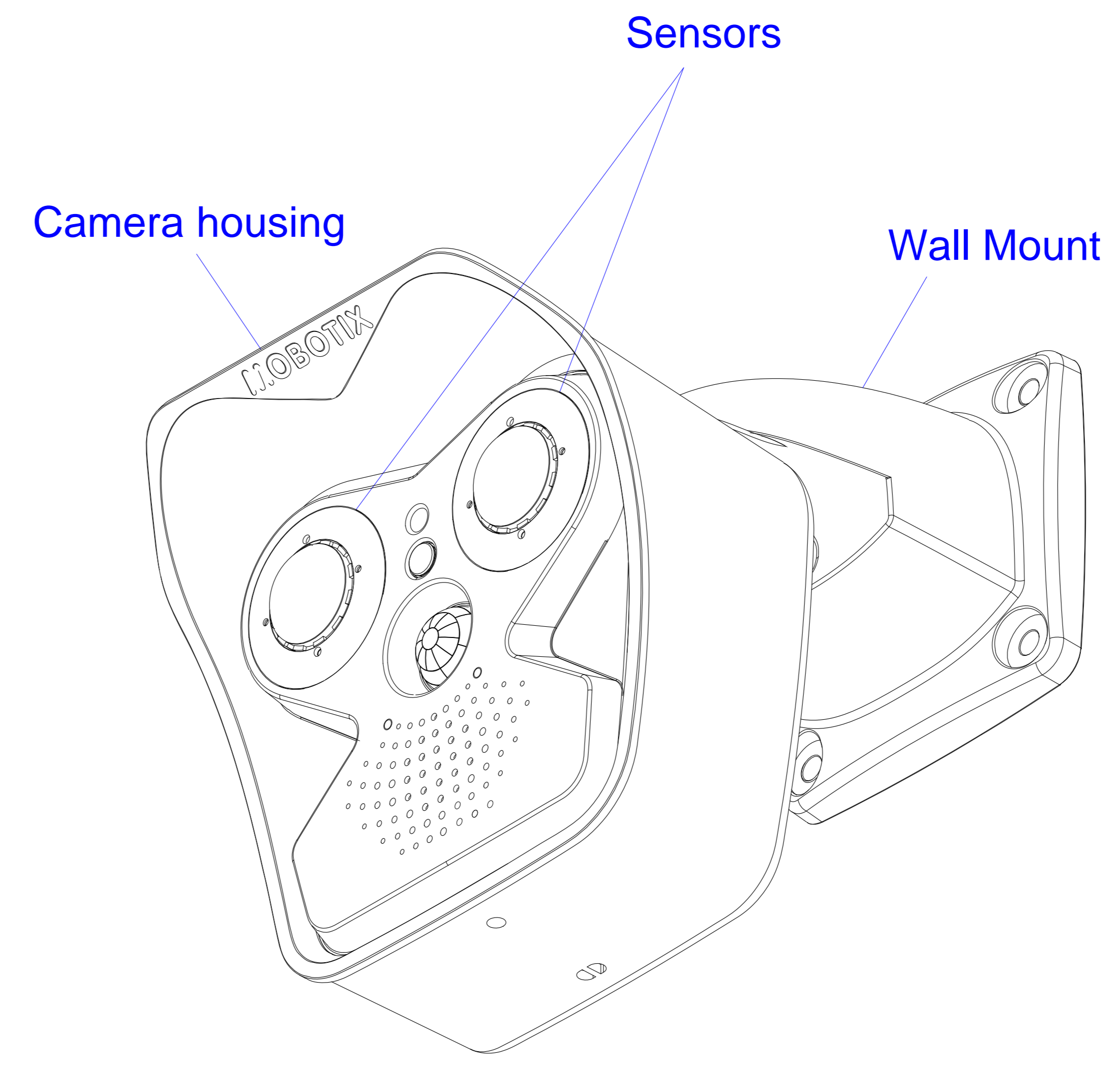
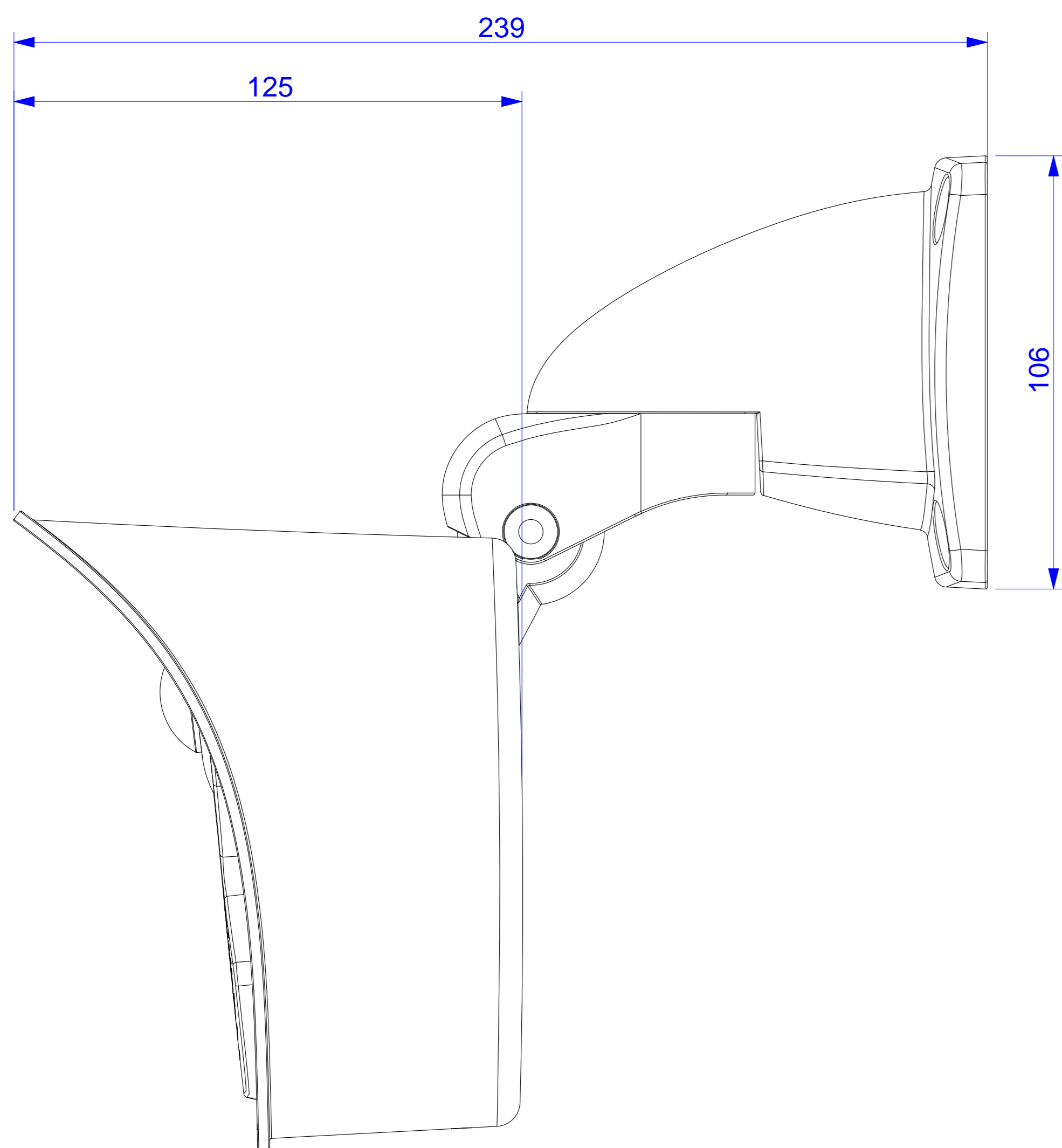
Front



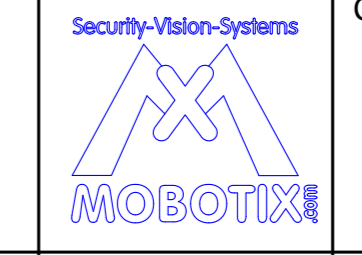
Top



Side



For internal use only. Technical specifications subject to change without notice. MOBOTIX does not assume responsibility for mistakes and recommends to verify measures and mechanical design with an actual product of the chosen MOBOTIX hardware. The reproduction, distribution and utilization of this document as well as the communication of its contents to others without express authorization is prohibited. Offenders will be held liable for the payment of damages. All rights reserved in the event of the grant of a patent, Utility model, design or trademark. No rights are transferred herewith.

All measures are in mm		Surface quality				Company		<b>MOBOTIX AG</b>	
Drawn	Name	Signature	Date			Product		<b>M15 Camera Wall Mount</b>	
	SBe		14.03.13						
Tested									
Approved									
Production									
Quality					Material	Drawing		DIN A0	
					Weight	Scale 1:1		Page 1/1	