

Elevate DCR Series 19" Data Centre Racks

Product Overview

Elevate DCR Series with Vented Front Door, Double Vented Rear Doors, both side panels and full airflow management.

The Elevate data centre racks are a versatile range of 600mm or 800mm wide racks designed for the data centre market and are an evolution of our successful market accepted existing rack family.

The DCR series feature the same flexibility of options and configuration with higher airflow mesh doors, airflow management baffles at the front and upgraded manual or optional electronic handles. The Network model of the DCR rack also features front cable management.

There is also improved roof cable access for 64 and 125 Amp PDU Commando Plugs on both sides with full depth brush strips on the roof. Airflow management baffles also feature 2U 19" access holes with brush strips, which can be blanked using standard 19" blanks if not in use.



- ✓ Available in 42U, 47U and 52U sizes
- ✓ Airflow management baffles as standard
- ✓ Upgraded cable tray fitted both sides
- ✓ High ventilation flat mesh doors front and back

- ✓ Entry/exit points in roof compatible with 16A, 32A, 64A and 125A EN60309 commando plugs
- ✓ Front finger cable management and side panel brushes available on Network model rack (those containing VDBF in the part code).



Server (VDPN)

simplified build with plain panels, no finger management, and profiles moved forward (optimised for server installation).



Network (VDBF)

enhanced build with finger cable management, side brushes, and profiles set further back (optimised for cable-heavy networking equipment).

Product Specifications

Feature	Values
Mounting profile	Front and rear
Type of profile rail	L-shaped
Number of rack units (U)	42, 47, 52
Type of ventilation	Passive
Width	600mm / 800mm
Height	2000mm, 2220mm or 2440mm
Depth	1000mm, 1200mm or 1400mm
Modular spacing	19 Inch
Max. load capacity	2000kg without Feet
Front door locking system	Two-point
Rear door locking system	Three-point
Type of surface	Powder coated
RAL-number	White (9003), Black (9004)
IP-rating	IP20



DCR Network and Server Model Comparison

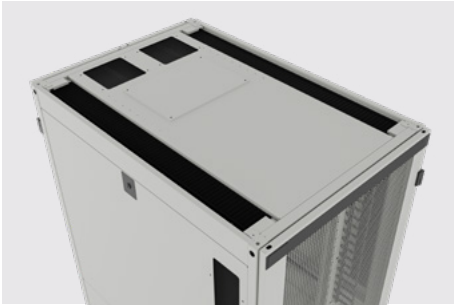
Feature	Server (VDPN)	Network (VDBF)
Part Code	VDPN (Plains, No Cable Management)	VDBF (Brushes, Front Cable Management)
Front 19" Profile Position	Sits further forward	Sits further back
Cable Management	No finger management	Includes finger cable management
Side Panels	Plain side panels, side brushes are blanked	Side panels include brushes (cutouts)
Airflow Management	Box style baffles around 19" profiles; adjustable front baffle plate; 2U brush cutouts (blanked with 19" panels)	Similar box baffles but include finger management; side brushes integrated into baffle
Doors	80% perforated double or single doors	80% perforated double or single doors
PDU & Power Compatibility	Supports 64/125 Amp PDUs; roof cable entry 32A	Supports 64/125 Amp PDUs; roof cable entry 32A
Colours Available	RAL9003 White, RAL9004 Black	RAL9003 White, RAL9004 Black
Profile Pitch (800W / 1000D)	Profile-to-front: 82 mm; Pitch: Std 581 mm, Max 651 mm	Profile-to-front: 174 mm; Pitch: Std 551 mm, Max 561 mm
Profile Pitch (800W / 1200D)	Profile-to-front: 82 mm; Pitch: Std 781 mm, Max 851 mm	Profile-to-front: 174 mm; Pitch: Std 751 mm, Max 761 mm
Profile Pitch (800W / 1400D)	Profile-to-front: 82 mm; Pitch: Std 981 mm, Max 1051 mm	Profile-to-front: 174 mm; Pitch: Std 951 mm, Max 961 mm
Height Options	42U, 47U, 52U	42U, 47U, 52U
Load Capacity	Up to 2000 kg, direct to floor	Up to 2000 kg, direct to floor
Electronic Handle Options	Optional Southco RFID, Euro handle, or Tanlock 3.1 biometric	Optional Southco RFID, Euro handle, or Tanlock 3.1 biometric



Network (VDBF)

Server (VDPN)

Product Features



Full length roof brushes with improved access for installing 32A commando power cables through side brushes, and 64A & 125A commando plugs through the main area. Optional covers also available.



Airflow management baffles for all racks as standard featuring overlapping brush cutouts. Baffles covers complete area around front profiles.



The Network model of the rack offers front finger cable management as standard on 800mm wide racks, and as an option on 600mm wide racks.

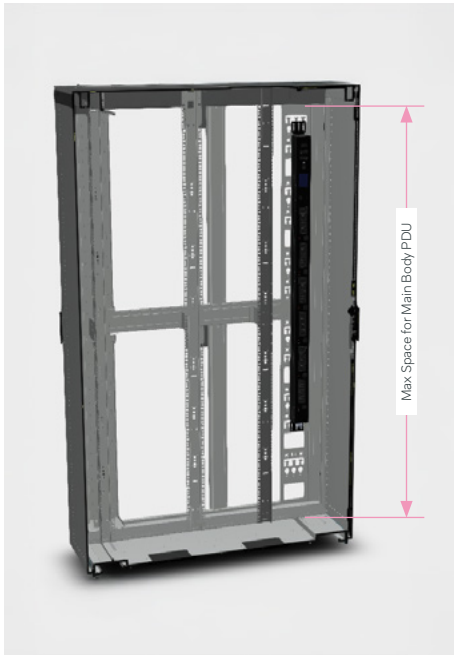


Airflow management baffles for the Server model are positioned near the front of the rack and do not feature fingers.



Rear PDU cable tray at 135mm wide for installations of all sizes of PDU, and allows installation of quick mount PDUs.

Maximum PDU Installation Space



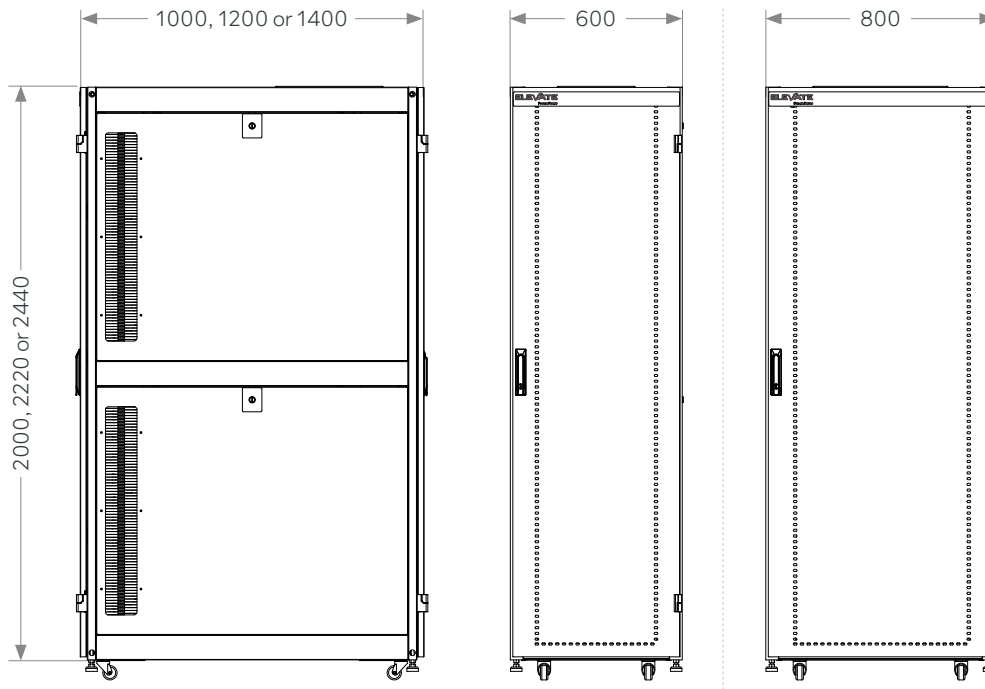
As power requirements within racks continue to increase, modern PDUs are becoming longer in overall length, which can present challenges during installation. Elevate DCR racks are designed to accommodate these demands, with defined maximum internal space allowances for the main body of the PDU based on rack height.

DCR Series - PDU Heights

Rack U Height	Available PDU Space
42	1800 mm
47	2020 mm
52	2240 mm



Product Drawing



Product Standards

Applicable standard	Description
ANSI/EIA-310-E, BS EN 60297-3-100:2009, DIN 41494 Part 1 & 7	Panel Mounting Racks For Electronics Equipments: Racks And Panels
Directive 2008/98/EC (WFD)	Waste Framework Directive — compliant. Implemented in the UK through the Waste (England and Wales) Regulations 2011 (SI 2011 No. 988).
ECHA SCIP Database	Compliant; product does not contain SVHCs (Substances of Very High Concern) as defined under REACH Article 33(1). Submission obligations met under EU REACH and UK REACH.
Regulation (EU) 2019/1021 (POPs)	EU Regulation on Persistent Organic Pollutants — compliant. For Great Britain, compliance is aligned with the Persistent Organic Pollutants (Amendment) (EU Exit) Regulations 2020 (SI 2020 No. 1355).
Directive 2011/65/EU (RoHS II)	Restriction of the Use of Certain Hazardous Substances in Electrical and Electronic Equipment — compliant. Applies within EU member states.
Directive (EU) 2015/863 (RoHS III)	Amending Directive 2011/65/EU to add four phthalates (DEHP, BBP, DBP, DIBP) to Annex II — compliant.
UK SI 2012 No. 3032	The Restriction of the Use of Certain Hazardous Substances in Electrical and Electronic Equipment Regulations 2012 (UK RoHS) — compliant for Great Britain. Retained EU law, as amended by the Product Safety and Metrology (Amendment etc.) (EU Exit) Regulations 2019.



Part Number Table - Network Model

Part Number	Description
546-42610-VDBF-WH	Elevate DCR600 42U Rack 600 x 1000 mm Vented (F) D/Vented (R) B/Panels Network White
546-42612-VDBF-WH	Elevate DCR600 42U Rack 600 x 1200 mm Vented (F) D/Vented (R) B/Panels Network White
546-42614-VDBF-WH	Elevate DCR600 42U Rack 600 x 1400 mm Vented (F) D/Vented (R) B/Panels Network White
546-42810-VDBF-WH	Elevate DCR800 42U Rack 800 x 1000 mm Vented (F) D/Vented (R) B/Panels Network White
546-42812-VDBF-WH	Elevate DCR800 42U Rack 800 x 1200 mm Vented (F) D/Vented (R) B/Panels Network White
546-42814-VDBF-WH	Elevate DCR800 42U Rack 800 x 1400 mm Vented (F) D/Vented (R) B/Panels Network White
546-47610-VDBF-WH	Elevate DCR600 47U Rack 600 x 1000 mm Vented (F) D/Vented (R) B/Panels Network White
546-47612-VDBF-WH	Elevate DCR600 47U Rack 600 x 1200 mm Vented (F) D/Vented (R) B/Panels Network White
546-47614-VDBF-WH	Elevate DCR600 47U Rack 600 x 1400 mm Vented (F) D/Vented (R) B/Panels Network White
546-47810-VDBF-WH	Elevate DCR800 47U Rack 800 x 1000 mm Vented (F) D/Vented (R) B/Panels Network White
546-47812-VDBF-WH	Elevate DCR800 47U Rack 800 x 1200 mm Vented (F) D/Vented (R) B/Panels Network White
546-47814-VDBF-WH	Elevate DCR800 47U Rack 800 x 1400 mm Vented (F) D/Vented (R) B/Panels Network White
546-52610-VDBF-WH	Elevate DCR600 52U Rack 600 x 1000 mm Vented (F) D/Vented (R) B/Panels Network White
546-52612-VDBF-WH	Elevate DCR600 52U Rack 600 x 1200 mm Vented (F) D/Vented (R) B/Panels Network White
546-52614-VDBF-WH	Elevate DCR600 52U Rack 600 x 1400 mm Vented (F) D/Vented (R) B/Panels Network White
546-52810-VDBF-WH	Elevate DCR800 52U Rack 800 x 1000 mm Vented (F) D/Vented (R) B/Panels Network White
546-52812-VDBF-WH	Elevate DCR800 52U Rack 800 x 1200 mm Vented (F) D/Vented (R) B/Panels Network White
546-52814-VDBF-WH	Elevate DCR800 52U Rack 800 x 1400 mm Vented (F) D/Vented (R) B/Panels Network White
546-42610-VDBF-BK	Elevate DCR600 42U Rack 600 x 1000 mm Vented (F) D/Vented (R) B/Panels Network Black
546-42612-VDBF-BK	Elevate DCR600 42U Rack 600 x 1200 mm Vented (F) D/Vented (R) B/Panels Network Black
546-42614-VDBF-BK	Elevate DCR600 42U Rack 600 x 1400 mm Vented (F) D/Vented (R) B/Panels Network Black
546-42810-VDBF-BK	Elevate DCR800 42U Rack 800 x 1000 mm Vented (F) D/Vented (R) B/Panels Network Black
546-42812-VDBF-BK	Elevate DCR800 42U Rack 800 x 1200 mm Vented (F) D/Vented (R) B/Panels Network Black
546-42814-VDBF-BK	Elevate DCR800 42U Rack 800 x 1400 mm Vented (F) D/Vented (R) B/Panels Network Black
546-47610-VDBF-BK	Elevate DCR600 47U Rack 600 x 1000 mm Vented (F) D/Vented (R) B/Panels Network Black
546-47612-VDBF-BK	Elevate DCR600 47U Rack 600 x 1200 mm Vented (F) D/Vented (R) B/Panels Network Black
546-47614-VDBF-BK	Elevate DCR600 47U Rack 600 x 1400 mm Vented (F) D/Vented (R) B/Panels Network Black
546-47810-VDBF-BK	Elevate DCR800 47U Rack 800 x 1000 mm Vented (F) D/Vented (R) B/Panels Network Black
546-47812-VDBF-BK	Elevate DCR800 47U Rack 800 x 1200 mm Vented (F) D/Vented (R) B/Panels Network Black
546-47814-VDBF-BK	Elevate DCR800 47U Rack 800 x 1400 mm Vented (F) D/Vented (R) B/Panels Network Black
546-52610-VDBF-BK	Elevate DCR600 52U Rack 600 x 1000 mm Vented (F) D/Vented (R) B/Panels Network Black
546-52612-VDBF-BK	Elevate DCR600 52U Rack 600 x 1200 mm Vented (F) D/Vented (R) B/Panels Network Black
546-52614-VDBF-BK	Elevate DCR600 52U Rack 600 x 1400 mm Vented (F) D/Vented (R) B/Panels Network Black
546-52810-VDBF-BK	Elevate DCR800 52U Rack 800 x 1000 mm Vented (F) D/Vented (R) B/Panels Network Black
546-52812-VDBF-BK	Elevate DCR800 52U Rack 800 x 1200 mm Vented (F) D/Vented (R) B/Panels Network Black
546-52814-VDBF-BK	Elevate DCR800 52U Rack 800 x 1400 mm Vented (F) D/Vented (R) B/Panels Network Black

Part Number Table - Server Model



Part Number	Description
546-42610-VDPN-WH	Elevate DCR600 42U Rack 600 x 1000 mm Vented (F) D/Vented (R) PI/Panels Server White
546-42612-VDPN-WH	Elevate DCR600 42U Rack 600 x 1200 mm Vented (F) D/Vented (R) PI/Panels Server White
546-42614-VDPN-WH	Elevate DCR600 42U Rack 600 x 1400 mm Vented (F) D/Vented (R) PI/Panels Server White
546-42810-VDPN-WH	Elevate DCR800 42U Rack 800 x 1000 mm Vented (F) D/Vented (R) PI/Panels Server White
546-42812-VDPN-WH	Elevate DCR800 42U Rack 800 x 1200 mm Vented (F) D/Vented (R) PI/Panels Server White
546-42814-VDPN-WH	Elevate DCR800 42U Rack 800 x 1400 mm Vented (F) D/Vented (R) PI/Panels Server White
546-47610-VDPN-WH	Elevate DCR600 47U Rack 600 x 1000 mm Vented (F) D/Vented (R) PI/Panels Server White
546-47612-VDPN-WH	Elevate DCR600 47U Rack 600 x 1200 mm Vented (F) D/Vented (R) PI/Panels Server White
546-47614-VDPN-WH	Elevate DCR600 47U Rack 600 x 1400 mm Vented (F) D/Vented (R) PI/Panels Server White
546-47810-VDPN-WH	Elevate DCR800 47U Rack 800 x 1000 mm Vented (F) D/Vented (R) PI/Panels Server White
546-47812-VDPN-WH	Elevate DCR800 47U Rack 800 x 1200 mm Vented (F) D/Vented (R) PI/Panels Server White
546-47814-VDPN-WH	Elevate DCR800 47U Rack 800 x 1400 mm Vented (F) D/Vented (R) PI/Panels Server White
546-52610-VDPN-WH	Elevate DCR600 52U Rack 600 x 1000 mm Vented (F) D/Vented (R) PI/Panels Server White
546-52612-VDPN-WH	Elevate DCR600 52U Rack 600 x 1200 mm Vented (F) D/Vented (R) PI/Panels Server White
546-52614-VDPN-WH	Elevate DCR600 52U Rack 600 x 1400 mm Vented (F) D/Vented (R) PI/Panels Server White
546-52810-VDPN-WH	Elevate DCR800 52U Rack 800 x 1000 mm Vented (F) D/Vented (R) PI/Panels Server White
546-52812-VDPN-WH	Elevate DCR800 52U Rack 800 x 1200 mm Vented (F) D/Vented (R) PI/Panels Server White
546-52814-VDPN-WH	Elevate DCR800 52U Rack 800 x 1400 mm Vented (F) D/Vented (R) PI/Panels Server White
546-42610-VDPN-BK	Elevate DCR600 42U Rack 600 x 1000 mm Vented (F) D/Vented (R) PI/Panels Server Black
546-42612-VDPN-BK	Elevate DCR800 52U Rack 800 x 1200 mm Vented (F) D/Vented (R) PI/Panels Server Black
546-42614-VDPN-BK	Elevate DCR600 42U Rack 600 x 1400 mm Vented (F) D/Vented (R) PI/Panels Server Black
546-42810-VDPN-BK	Elevate DCR800 42U Rack 800 x 1000 mm Vented (F) D/Vented (R) PI/Panels Server Black
546-42812-VDPN-BK	Elevate DCR800 42U Rack 800 x 1200 mm Vented (F) D/Vented (R) PI/Panels Server Black
546-42814-VDPN-BK	Elevate DCR800 42U Rack 800 x 1400 mm Vented (F) D/Vented (R) PI/Panels Server Black
546-47610-VDPN-BK	Elevate DCR600 47U Rack 600 x 1000 mm Vented (F) D/Vented (R) PI/Panels Server Black
546-47612-VDPN-BK	Elevate DCR600 47U Rack 600 x 1200 mm Vented (F) D/Vented (R) PI/Panels Server Black
546-47614-VDPN-BK	Elevate DCR600 47U Rack 600 x 1400 mm Vented (F) D/Vented (R) PI/Panels Server Black
546-47810-VDPN-BK	Elevate DCR800 47U Rack 800 x 1000 mm Vented (F) D/Vented (R) PI/Panels Server Black
546-47812-VDPN-BK	Elevate DCR800 47U Rack 800 x 1200 mm Vented (F) D/Vented (R) PI/Panels Server Black
546-47814-VDPN-BK	Elevate DCR800 47U Rack 800 x 1400 mm Vented (F) D/Vented (R) PI/Panels Server Black
546-52610-VDPN-BK	Elevate DCR600 52U Rack 600 x 1000 mm Vented (F) D/Vented (R) PI/Panels Server Black
546-52612-VDPN-BK	Elevate DCR600 52U Rack 600 x 1200 mm Vented (F) D/Vented (R) PI/Panels Server Black
546-52614-VDPN-BK	Elevate DCR600 52U Rack 600 x 1400 mm Vented (F) D/Vented (R) PI/Panels Server Black
546-52810-VDPN-BK	Elevate DCR800 52U Rack 800 x 1000 mm Vented (F) D/Vented (R) PI/Panels Server Black
546-52812-VDPN-BK	Elevate DCR800 52U Rack 800 x 1200 mm Vented (F) D/Vented (R) PI/Panels Server Black
546-52814-VDPN-BK	Elevate DCR800 52U Rack 800 x 1400 mm Vented (F) D/Vented (R) PI/Panels Server Black