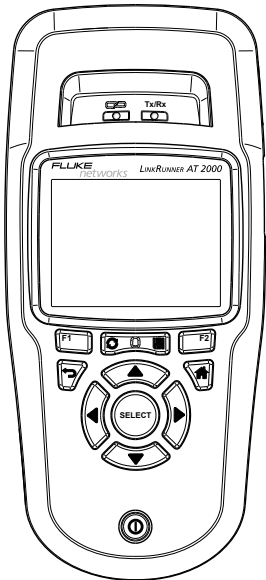


# LinkRunner™ AT Network Auto-Tester

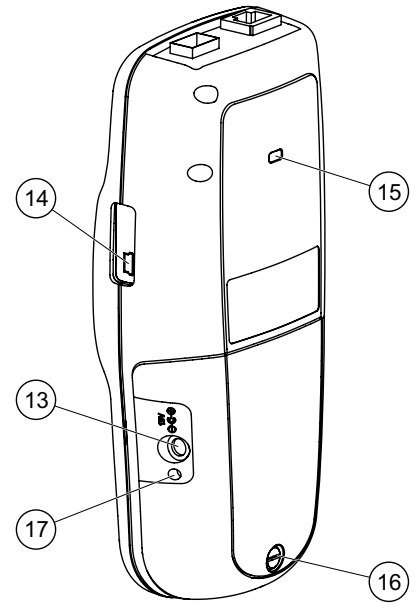
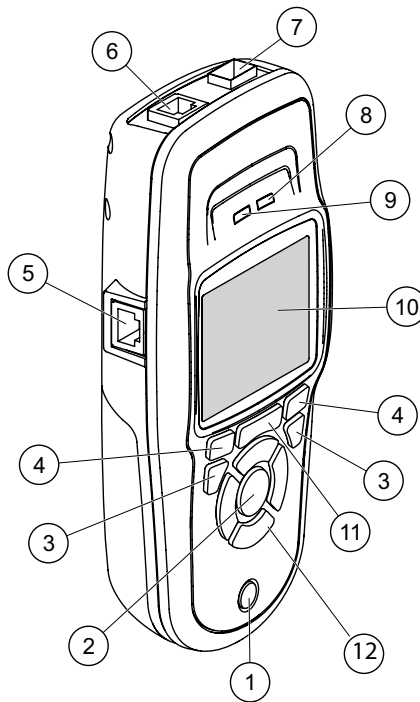
## Getting Started Guide



PN 4620923 3/2015  
©2015 Fluke Corporation



## This is your LinkRunner AT Network Auto-Tester



The LinkRunner AT Network Auto-Tester lets you:

- Verify Ethernet copper and fiber (model 2000 only) cables, network connectivity, and availability.
- Identify the network device to which it is connected.
- Identify PoE ports.
- Generate reports.
- Set up a packet reflector for Fluke Networks performance tests (model 2000 only).

This guide provides basic information to help you get started using the LinkRunner AT Network Auto-Tester.

### NOTE:

Charge the battery for 3 hours before you use your LinkRunner AT for the first time. Battery life is approximately 6 hours during typical operation.

- ① On/off key.
- ② Makes a selection on the screen.
- ③ Shows the previous or Home screen.
- ④ Softkeys - the function shown above the key.
- ⑤ Cable test wire mapping input. Connect the cable from the top Ethernet port to this port to view the wire map details.
- ⑥ Ethernet 10/100/1000BASE-X port.
- ⑦ Fiber port. Use one of the many supported SFP adapters to connect to the network (model 2000 only).
- ⑧ Tx/Rx - The LED blinks when the tester transmits and receives data.
- ⑨ The LED blinks when the tester tries to connect to the network. The LED is on when the tester is linked to the network.
- ⑩ Full-color LCD display.
- ⑪ : Clears the current measurement data. : Saves the current measurement data into a report file which can be transferred to the LinkRunner Manager PC application and viewed/printed.
- ⑫ Navigation keys. The outer ring of keys (four) perform the left/right and up/down screen navigation.
- ⑬ Connector for the ac adapter (model 2000 only).
- ⑭ USB (5-pin mini-B) for connection to a PC.
- ⑮ Kensington lock slot.
- ⑯ Screw for the battery pack (model 2000 only).
- ⑰ The LED turns on when you connect the ac adapter. The LED is red when the battery is charging and green when it is fully charged (model 2000 only).

## Getting started with your LinkRunner AT Network Auto-Tester

- 1 Create your account at [www.Link-Live.com...](http://www.Link-Live.com...)

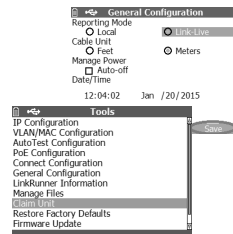
...and then sign in.

- 2 Prepare your LinkRunner to be claimed and to report test results to the Link-Live cloud service.

Power on and connect to an active network.

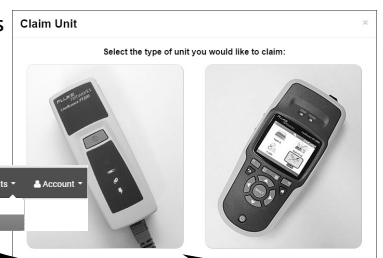
Tools | General Configuration  
Set Reporting Mode to "Link-Live".

Tools | Claim Unit  
Go to step 3.



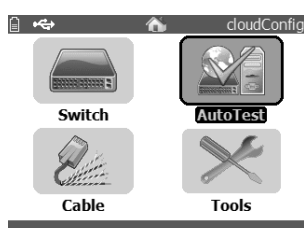
- 3 Claim your LinkRunner using the Link-Live cloud service.

Use the Units menu, click Claim, and select the LinkRunner.

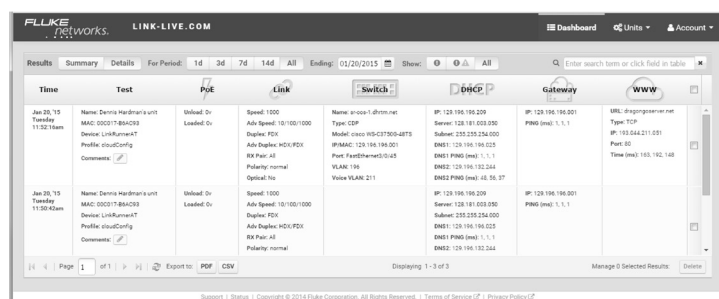


- 4 Begin Testing...

...with the LinkRunner...



...and work with the test results in the cloud.



## Contacting Fluke Networks

-  [www.flukenetworks.com](http://www.flukenetworks.com)
-  [support@flukenetworks.com](mailto:support@flukenetworks.com)
-  **1-425-446-4519**

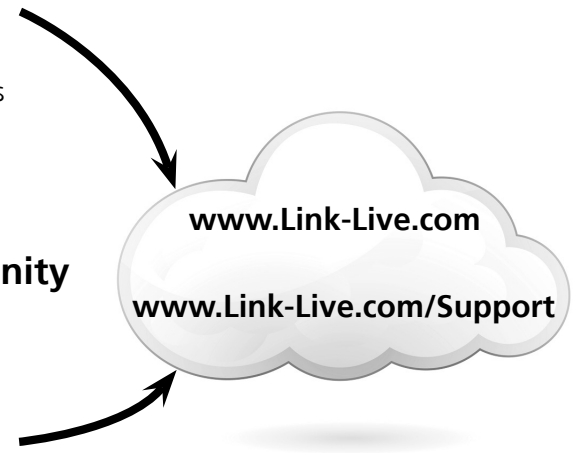
Registering your product at  
[www.flukenetworks.com/registration](http://www.flukenetworks.com/registration)

## Link-Live Cloud Service

- Upload results with zero-touch
- Add comments to results
- Analyze results and organize by folders
- Create professional reports

## Link-Live Support Community

LinkRunner AT is part of the Link-Live Support Community. While using the Link-Live Cloud Service, click the support link or go to:



**“How to...” Articles and FAQs.**  
**Post questions and get answers.**

**Share your ideas and follow the industry’s latest testing trends and methods.**

### Symbols

	Warning or Caution: Risk of damage or destruction to equipment or software. See explanations in the manuals.
	Warning: Risk of fire, electric shock, or personal injury.
	Warning: Class 1 or Class 2 lasers. Risk of eye damage from hazardous radiation. Do not look into laser.
	Do not connect the Product to a public telephone system.
	Conformite Europeene. Conforms to the requirements of the European Union and the European Free Trade Association (EFTA).
	Listed by the Canadian Standards Association.
	The Product complies with Australian standards.
	Do not put products that contain circuit boards into waste containers. Refer to local regulations for disposal procedures.


### Environmental & Regulatory Specifications

Environmental	
Operating Temperature and Relative Humidity	32°F to 113°F (0°C to +45°C) 90% (50°F to 95°F; 10°C to 35°C) 75% (95°F to 113°F; 35°C to 45°C)
Storage temperature	-4°F to 140°F (-20°C to +60°C)
Shock and vibration	Random, 2 g, 5 Hz-500 Hz (Class 2) 1 m drop
Safety	IEC 61010-1, CAT none, Pollution degree 2
Operating altitude	13,123 ft (4,000 m)
Storage altitude	39,370 ft (12,000 m)
Safety / EMC	FCC Part 15 Class A, EN 61326-1: Portable
General	
Media Access	10BASE-T, 100BASE-TX, 1000BASE-T (IEEE-802.3) and Poe (IEEE 802.3at)
Cable Test	Pair lengths, opens, shorts, splits, crossed, straight through, and cable ID
Tone Generator	IntelliTone digital tone: [500 KHz]; analog tones: [400Hz, 1KHz]
Ports	10/100/1000BASE-T RJ45 copper port 100FX*, and 1000BASE-X fiber adapter port (2000 only)
Dimensions and Weight	3.5 in x 7.8 in x 1.9 in (8.9 cm x 19.8 cm x 4.8 cm); 18 oz (0.5 kg)
Battery Li-ion	Removable, rechargeable lithium-ion battery pack (18.5 Watt-hrs). AA: Removable AA battery pack. Requires 4 AA batteries.
Battery Life	Li-ion: Typical operating life is 6 hours. Typical charge time is 3 hours. AA: Typical operating life is 3 hours.
External AC Adapter/Charger	AC input 90-264 Vac 48-62 Hz input power, DC output 15 Vdc at 2 amps
Display and Keypad	2.8 in color LCD (320 x 240 pixels); 12-key elastomeric

\*not all SFP brands supported

### Certifications and Compliance

	Conformite Europeene. Conforms to the requirements of the European Union and the European Free Trade Association (EFTA).
	Listed by the Canadian Standards Association.
	Conforms to relevant Australian standards.
	Meets Australia EMC Requirements.
	Conforms to the relevant EMC and safety standards of South Korea.

	<p><b>Class A Equipment (Industrial Broadcasting &amp; Communication Equipment)</b> This product meets requirements for industrial (Class A) electromagnetic wave equipment and the seller or user should take notice of it. This equipment is intended for use in business environments and is not to be used in homes.</p> <p>A 급 기기 ( 업무용 방송통신기자재 ) 이 기기는 업무용 (A 급) 전자파적합기기로서 판매자 또는 사용자는 이 점을 주의하시기 바라며, 가정외의 지역에서 사용하는 것을 목적으로 합니다.</p>
---	--

### Warning

**To prevent possible fire, electric shock, personal injury or damage to the Product:**

- Read all safety information, and carefully read all instructions, before you use the Product.
- Do not attempt to modify or repair the Product. There are no user-serviceable parts inside. Have only an approved technician repair the Product.
- Do not touch voltages > 30 VAC rms, 42 VAC peak, or 60 VDC.
- Use only the AC adapter provided to power the Product or charge the battery.
- Do not use the Product around explosive gas, vapor, or in damp or wet environments.
- Examine the case before you use the Product. Look for cracks or missing plastic. Do not use the Product if it is damaged, and do not use the Product if it operates incorrectly.
- Use this Product indoors only.
- Do not connect the Product to voltages that are higher than the maximum voltage rating for the Product.
- Do not connect the Product to a telephone line.
- Use the Product only as specified, or the protection supplied by the Product can be compromised.
- Batteries contain hazardous chemicals that can cause burns or explode. If exposure to chemicals occurs, clean with water and get medical aid.
- Remove the batteries if the Product is not used for an extended period of time, or if stored in temperatures above 50 °C. If the batteries are not removed, battery leakage can damage the Product.
- The battery will not charge if the internal temperature of the tester is above 113°F (45°C).
- The battery door must be closed before you operate the Product
- Repair the Product before use if the battery leaks.
- Turn off the Product and disconnect all cables before you replace the batteries.
- Be sure that the battery polarity is correct to prevent battery leakage.
- Do not put battery cells near heat or fire.
- Do not operate the Product with covers removed or the case open. Hazardous voltage exposure is possible.
- Do not short the battery terminals together.
- Use the proper terminals and cable for all connections.
- To prevent damage to the display or the case, do not use solvents or abrasive materials. Clean the case with only a damp cloth with water.

### Warranty

The warranty for your Product is on the Fluke Networks website, visit: [www.flukenetworks.com/warranty](http://www.flukenetworks.com/warranty)

#### Software Notice

This product uses freeRTOS v6.0.5 software. For more information on freeRTOS, go to <http://www.freertos.org>. The software license statement and files that contain the binary and source code for freeRTOS v6.0.5 are on the LinkRunner AT CD supplied with this product.

Copyright 2010 Real Time Engineering Ltd.

Copyright 1998 Regents of the University of California. All rights reserved.

Redistribution and use in source and binary forms, with or without modification, are permitted provided that the following conditions are met:

Redistributions of source code must retain the above copyright notice, this list of conditions and the following disclaimer.

Redistributions in binary form must reproduce the above copyright notice, this list of conditions and the following disclaimer in the documentation and/or other materials provided with the distribution.

Neither the name of the University of California, Berkeley nor the names of its contributors may be used to endorse or promote products derived from this software without specific prior written permission.

THIS SOFTWARE IS PROVIDED BY THE COPYRIGHT HOLDERS AND CONTRIBUTORS "AS IS" AND ANY EXPRESS OR IMPLIED WARRANTIES, INCLUDING, BUT NOT LIMITED TO, THE IMPLIED WARRANTIES OF MERCHANTABILITY AND FITNESS FOR A PARTICULAR PURPOSE ARE DISCLAIMED. IN NO EVENT SHALL THE COPYRIGHT HOLDER OR CONTRIBUTORS BE LIABLE FOR ANY DIRECT, INDIRECT, INCIDENTAL, SPECIAL, EXEMPLARY, OR CONSEQUENTIAL DAMAGES (INCLUDING, BUT NOT LIMITED TO, PROCUREMENT OF SUBSTITUTE GOODS OR SERVICES; LOSS OF USE, DATA, OR PROFITS; OR BUSINESS INTERRUPTION) HOWEVER CAUSED AND ON ANY THEORY OF LIABILITY, WHETHER IN CONTRACT, STRICT LIABILITY, OR TORT (INCLUDING NEGLIGENCE OR OTHERWISE) ARISING IN ANY WAY OUT OF THE USE OF THIS SOFTWARE, EVEN IF ADVISED OF THE POSSIBILITY OF SUCH DAMAGE.