

Openpath Standard Smart Reader v2

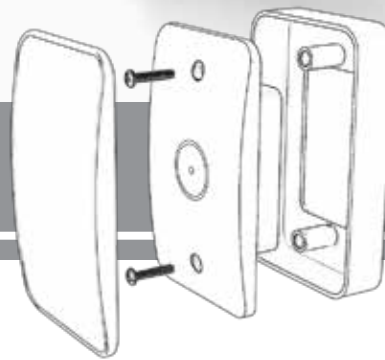
The Openpath door reader leverages industry leading security combined with an elegant design that will enhance any door and office environment. The Smart Reader v2 is a multi-technology reader that supports both low (125 kHz) and high (13.56 MHz) frequencies. The standard reader can be flush mount inside a single gang box, providing a slim profile.



Flush mounted
in gang box



Surface mounted
on the wall



Surface mounted
with casing and
snap cover exposed

Openpath Access

Openpath creates smart security solutions for the modern office. The company's flagship product, Openpath Access, combines sleek hardware with an app, enabling employees to enter the office using their smartphone. Unlike legacy systems, Openpath's software is cloud-based, meaning Access easily scales with your business and seamlessly integrates with platforms like G Suite and Azure AD.

Openpath's patented SurePath Mobile technology ensures reliability and quick entry via Bluetooth, Wi-Fi and LTE. With encryption at every level and powerful, user-level permissions, Openpath Access is both more secure and more dynamic than traditional access control systems. Openpath Access' streamlined, customizable features make office management easier than ever.



OP-R2X-STND
Standard Smart Reader v2



Smart Reader v2

Card Compatibility

- Openpath DESFire EV3
- MIFARE Classic/DESFire/Ultralight (ISO14443A) CSN
- Openpath Proximity
- HID® Proximity
- LenelProx®

Specifications

Cloud Managed	Yes
Form	Standard
Color	Black, White
Frequency	125 kHz, 13.56 MHz
Openpath Bluetooth	Yes
NFC	Yes
Wave to Unlock/Touch	Yes
Auto Proximity Unlock	Yes
Openpath Prox Cards/Fobs	Yes
HID® Prox	Yes
LenelProx®	Yes
Openpath DESFire EV3	Yes
MIFARE/DESFire (CSN)	Yes
Standards	ISO 14443A, Prox
Certification	CE, FCC, UL 294, UKCA
Environmental	IP65

Features

- Snap-on faceplate
- Modern design, can seamlessly blend into or upgrade the aesthetics of any entry
- Indoor/outdoor design
- Supports auxiliary Wiegand readers connected through the Openpath reader
- Functions seamlessly with the mobile application
- Available on both Android and iOS
- Works with Smart Watches in addition to the mobile app
- Supports remote unlocking with user-level privileges
- Lifetime warranty

Installation

- Easy installation via RS-485 wiring
- Compatible with legacy Wiegand wiring

PIGTAIL color	Name (short)	Name (full)	
Gray	GND	Ground (RTN)	Primary Controller Connections
Blue	+B	RS485-B	
Violet	-A	RS485-A	
Orange	VIN	+12V IN	
Red	VO	Wiegand Voltage	Connections to Auxiliary Wiegand Reader
Black	GND	Wiegand RTN	
Green	WD0	Wiegand Data 0	
White	WD1	Wiegand Data 1	
Brown	LED	Wiegand LED	
Yellow	BUZZER	Wiegand Buzzer	

Temperature should not exceed -30°C to 60°C (-22°F to 140°F)

Security

- Fully encrypted communication between mobile app and controller
- Fully encrypted communication between Openpath key cards and reader
- Eliminates the threat of copying or cloning Openpath key cards
- Includes tamper resistant secure storage

System Compatibility

- Reader works with Openpath Access System including Openpath controllers, cloud management software, and mobile app
- Reader works with legacy access control systems via Mobile Gateway option
- Support for Apple Enhanced Contactless Protocol (ECP)

Dimensions

- With back cover, no gang box: 7.4 x 12.0 x 2.3 cm (2.9 x 4.7 x 0.9 in)
- No back cover, on gang box: 7.4 x 12.0 x 1.1 cm (2.9 x 4.7 x 0.43 in)

Power Rating

- 0.25A @ 12VDC
- 0.12A @ 24VDC

