

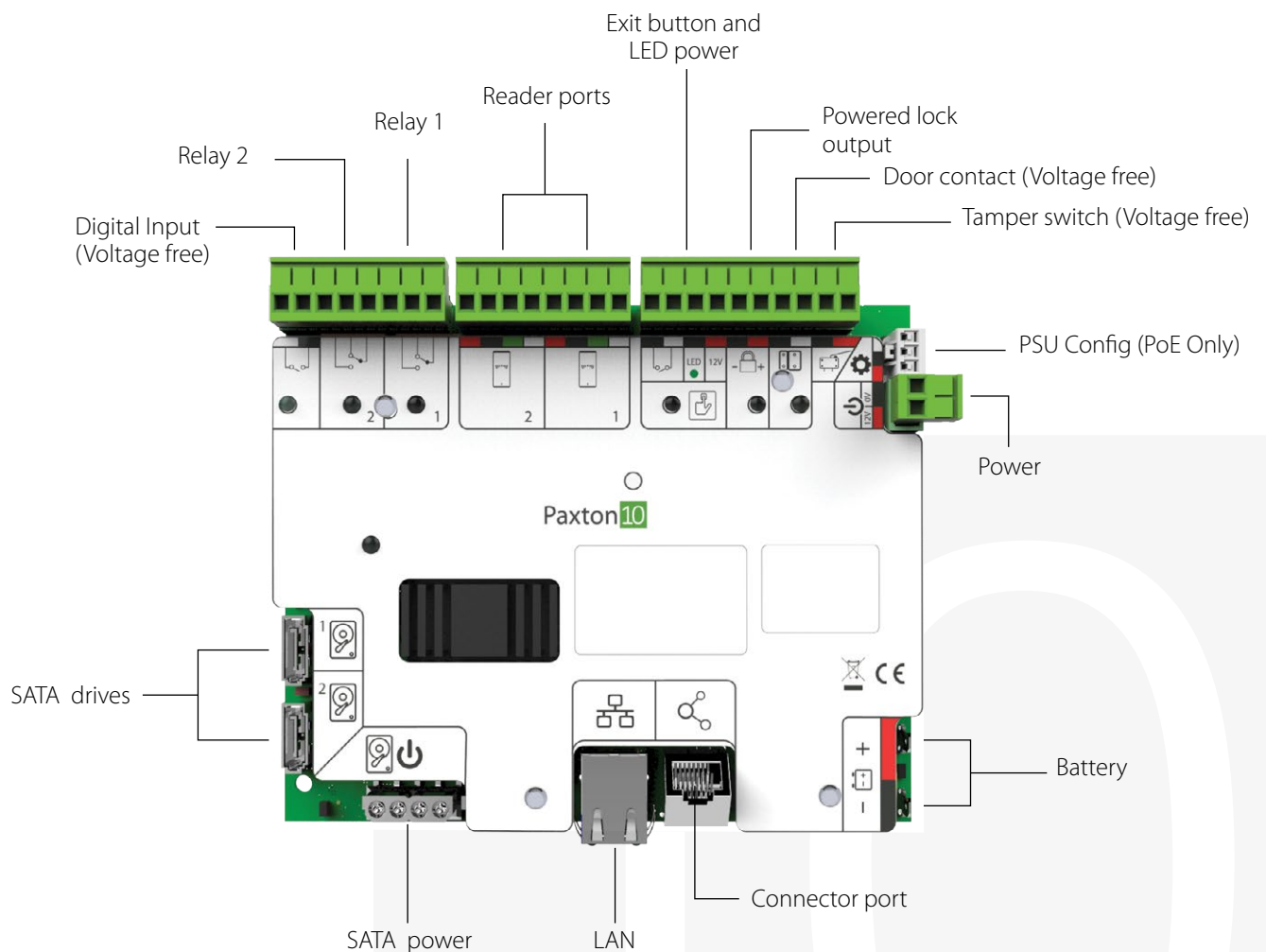
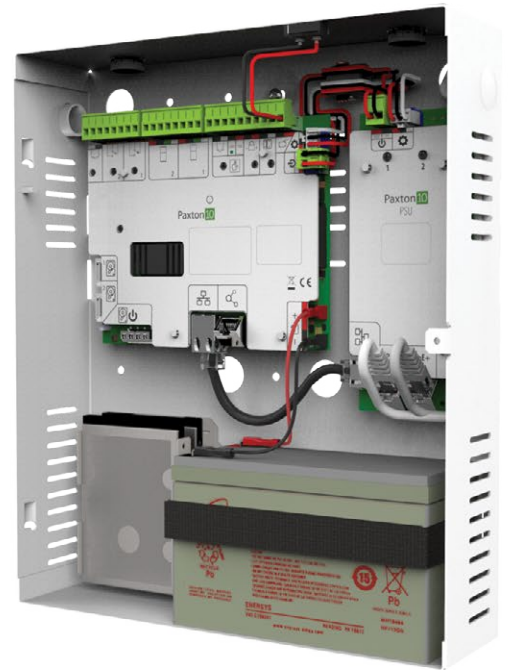
Overview

The Paxton10 Video Controller combines both the Single Door Controller and a video recorder into one unit. Removing the need for any additional integration, the video controller makes installing an access control system with video recording a seamless and simple task.

Two SATA hard drives can be installed simultaneously in a RAID1 configuration.

Features

- All the same functionality as a Single Door Controller
- Built in video recorder with expandable storage
- Simple plug and play installation
- PoE+ or 12V dc powered
- Locally stored programming enables the system to continue working if connection to the server is lost
- 5 year warranty
- Backup battery connectors
- Powered lock output
- Simple and intuitive connectivity





Electrical

| | |
|--------------------------|---|
| Power consumption | |
| Controller input voltage | 12V - 24V dc |
| Backup battery | 12V dc, 7Ah (Optional) |
| Lock output | 12V dc/ 1A |
| Relay rating | 30V dc/ 2A |
| RS485 connector output | 24V dc, 750mA max (Paxton connectors only) |
| RS485 reader output | 12V dc, 1A max (Paxton readers only) |
| PoE Power Supply | INPUT: 42.5-57V dc, 25.5W (IEEE 802.3at Type 2) OUTPUT: 12.8V dc, 1.8A |
| 4A Power Supply | INPUT: 100-240V AC, 50/60Hz, 1.5A OUTPUT: 12.8V dc, 4A |



Communication

| | |
|-----------------|----|
| Data connection | IP |
|-----------------|----|



Hardware

| | |
|--|--|
| Dimensions (W x H x D) | 275mm x 320mm x 70 mm |
| Door contact input | Yes |
| Voltage free digital input | 1 |
| Exit button input | Push to make |
| Tamper input | Yes |
| Relays | 2 |
| Maximum number of readers/keypads per door | 2 |
| Warranty | Paxton 5 year |
| Video storage | 2 x SATA inputs for RAID1 configuration (drives not included) |



Environment

| | |
|-----------------------|--------------|
| Operating temperature | 0-45 degrees |
| IP Rating | N/A |
| Mounting | Wall |