

PROXIMITY Reader - P200/P200 metal mount

System specifications

Cable Length	5m/16ft	
Cable extension length and type	≤ 25m/82ft ≤ 100m/328ft	Belden 9538/ Belden 5506FE (USA) Belden 9540/ Belden 5306FE (USA)

Token compatibility	Paxton EM
---------------------	--------------

Additional coloured covers available	No
--------------------------------------	----

Handsfree compatible	Yes
----------------------	-----

Electrical

Operating Voltage	10V - 14V DC
-------------------	--------------

Current consumption	140mA
---------------------	-------

Environment

Operating temperature	-35°C - +66°C -31°F - +151°F
-----------------------	---------------------------------

Moisture resistance	IPX7
---------------------	------

Vandal Resistance	Medium
-------------------	--------



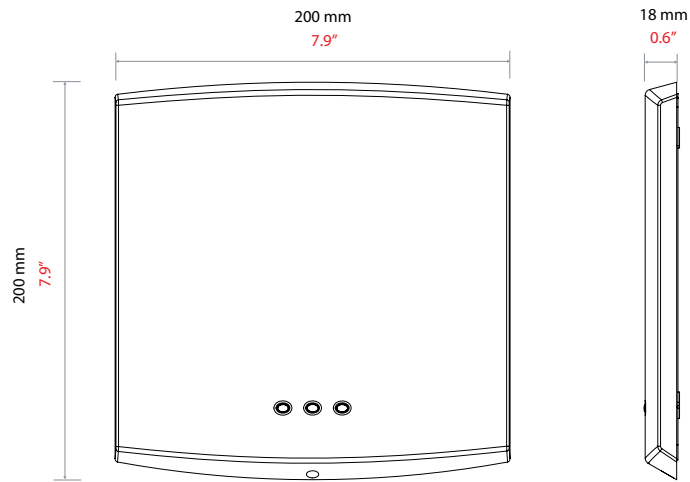
The P200/P200 metal mount proximity readers are RFID devices that offer the convenience of contactless authentication for system users.

They are available for use with both Switch2 and Net2 systems. The reader is wired as shown on the control unit label.

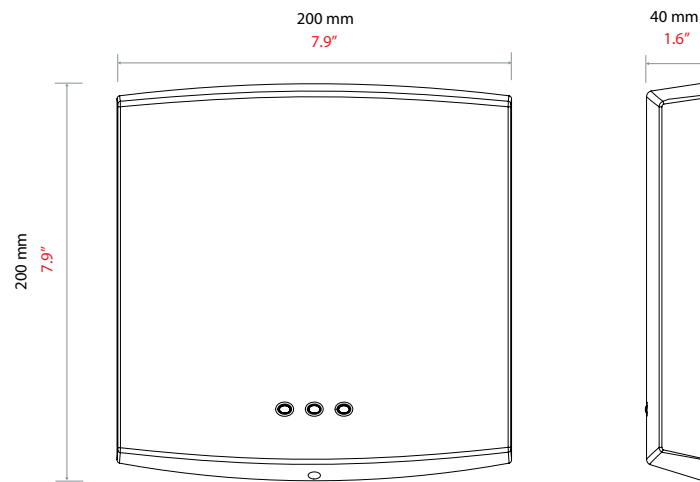
Note: Be sure to avoid mounting the P200 proximity reader on metal surfaces or near other proximity readers as this will affect the read range.

A token is read by holding it within close proximity of the reader. Once a token has been read the control unit looks up the access permissions of that user. The control unit verifies the information and grants or denies access as appropriate.

By default, all 3 LEDs are lit. If access is granted, the green LED flashes. If access is denied, the red LED flashes. An audible tone is emitted in both cases.



PROXIMITY reader - P200



PROXIMITY reader - P200, Metal mount

Accessories and sales codes

PROXIMITY reader - P200 323 -110

PROXIMITY reader - P200, Metal mount 324 -110