

Marine exit button

System specifications

Cable Length	5m/16ft
Cable extension length and type	≤ 25m/82ft Belden 9538/ Belden 5506FE (USA) ≤ 100m/328ft Belden 9540/ Belden 5306FE (USA)
Versions	Satin or bright chrome

Electrical

Operating Voltage	10V - 14V DC
Current consumption	220mA

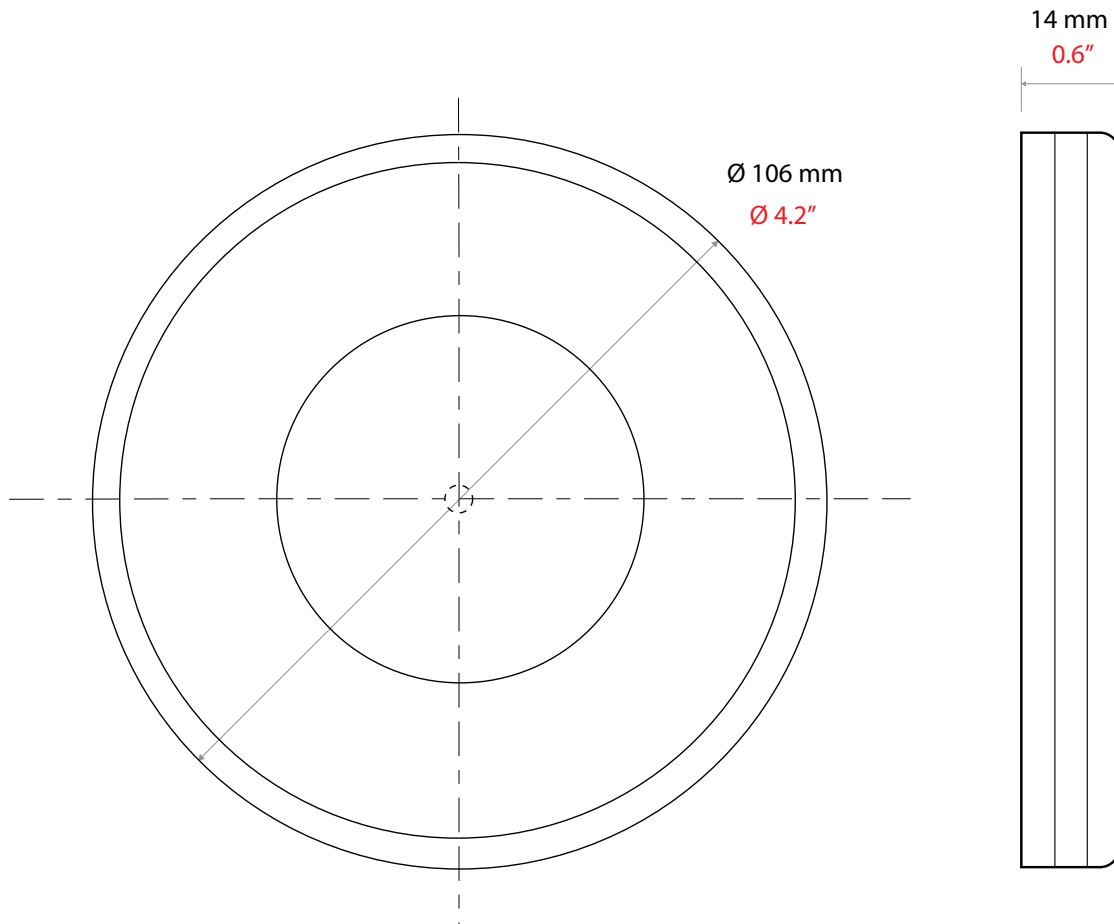
Environment

Operating temperature	-25°C - +55°C -4°F - +131°F
Moisture resistance	No
Vandal Resistance	Medium



Exit buttons may be used with Compact, Switch2 or Net2 systems. The Marine exit button is designed for looks as well as function. It uses a touch sensitive lens. The Marine exit button is suitable for interior use.

To operate, just touch the lens, the door opens and the exit button which is normally backlit green, flashes (only when used with Switch2 and Net2).



Accessories and sales codes

Marine exit button 593-721

Marine exit button - Chrome 593-731