

# Easyprox nano

## System specifications

Maximum total users/tokens	10,000 (Card pack limit applies)
Token compatibility	Paxton EM
Stored events	4096
Handsfree compatible	No
Door open time	1 sec - 999,999 secs
Silent operation	No

## Electrical

Battery type	Easyprox battery pack - 4 x AA high capacity
Battery life	2 Years (typical)

## Communication

TCP/IP	No
Wireless	Yes 2.4GHz (Net2Air)
RS485	No
Recommended wireless devices per Net2Air Bridge	10
Optimum wireless range	20m/65ft
Encryption	AES 125bit

## Features

Door widths supported	35mm - 60mm/1.4" - 2.4"
Door contact	Yes
Rear handle exit request	Yes
Low battery warning	Yes
Flat battery jumpstart terminals	No

## Environment

Operating temperature	0°C - +55°C +32°F - +131°F
Moisture resistance	No
Vandal Resistance	Low

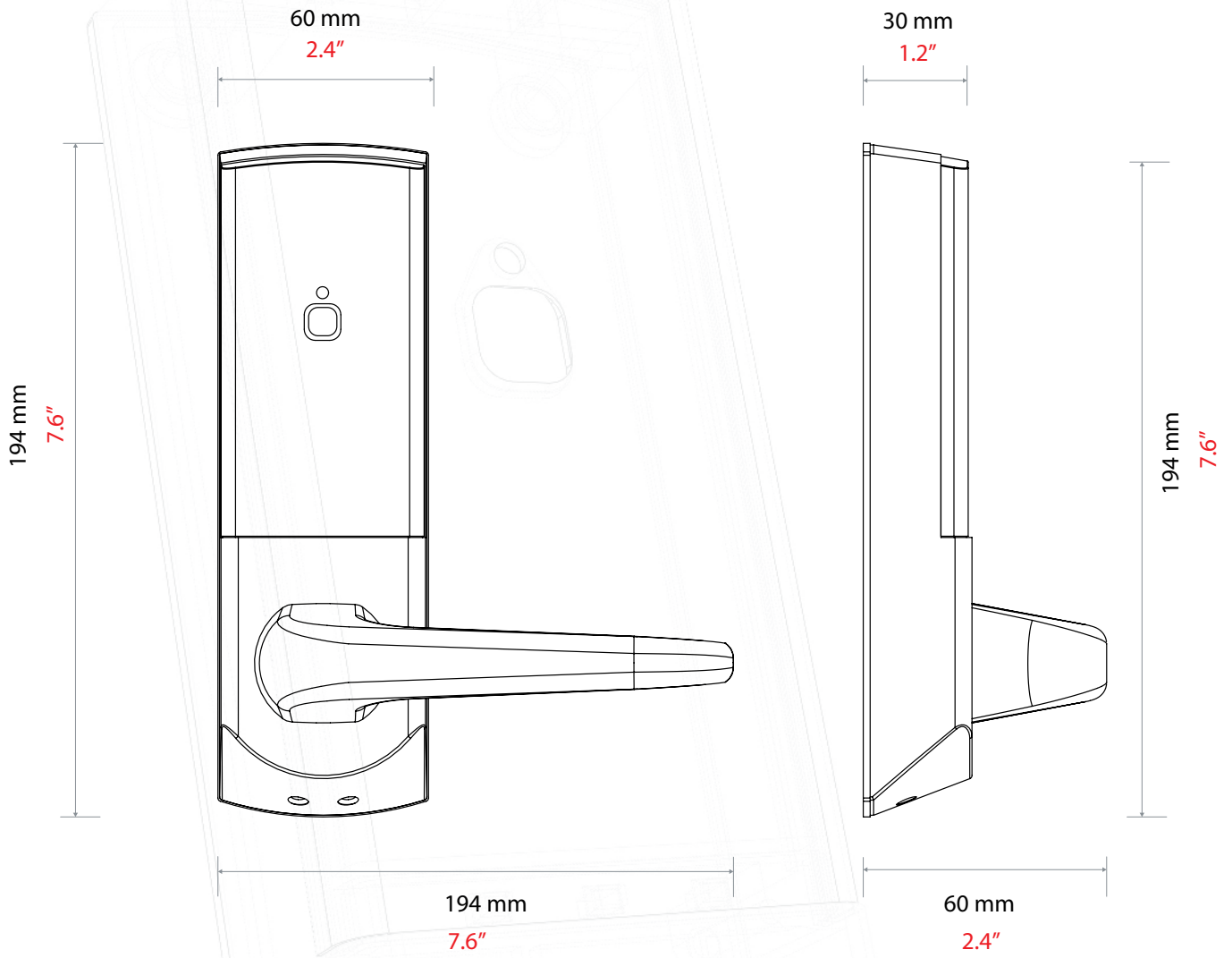


Easyprox nano is a Net2 access control unit in a door handle. It combines a wireless access control unit and a reader in one. Net2 is a PC based security system for controlling access through doors. Net2 allows users to be given access to particular areas at certain times. Because the system is networked, all administration can be done from a central point.

Easyprox nano is supplied with everything needed to secure one door, including a tubular mortice latch. It communicates with Net2 software at a central point by a secure, low power radio link. Easyprox nano is battery powered which means that the unit is totally wireless as it does not require mains power. Installation is very cost effective and creates minimal disruption as no cable is required to communicate between doors and there is no need to wire into mains. Easyprox nano benefits from unique ease of installation and configuration - no knowledge of networks is required.

One Easyprox nano controls a single door. It may be installed alongside other Net2 nano, Net2 plus or Net2 classic control units.

As with all Net2 control units, Easyprox nano is designed to work seamlessly in the event of a communications failure. It will continue to permit or deny access to users as appropriate. Once communications are re-established the activity is reported back to the PC.



Accessories and sales codes

Easyprox nano

746-284

Easyprox battery pack - 4 x AA high capacity

746-003

