

Net2 Entry Audio monitor

System specifications

| | |
|---------------------------------|---------------------------------------|
| Power over Ethernet (PoE) | Yes - IEEE 802.3af class 0 |
| Ethernet bandwidth requirement | 1Mb/s multicast per panel during call |
| Monitors per system | ≤1000 |
| TCP/IP Ethernet extension limit | 100m/328ft |
| Cable type | CAT5 |
| Current consumption | 2.1 W (Average) 3.3 W (Max) |

Hardware features

| | |
|-----------------------------|---|
| Audio system | Full Duplex |
| Door bell input | 2 wire, 8v illumination supported |
| LED status indicator | RGB LED Answer call Amber Open door Green Mute Red |
| Action buttons | Yes (x2) |
| Dry contact relay | Yes |
| Line out for T-loop antenna | Yes |

Software features

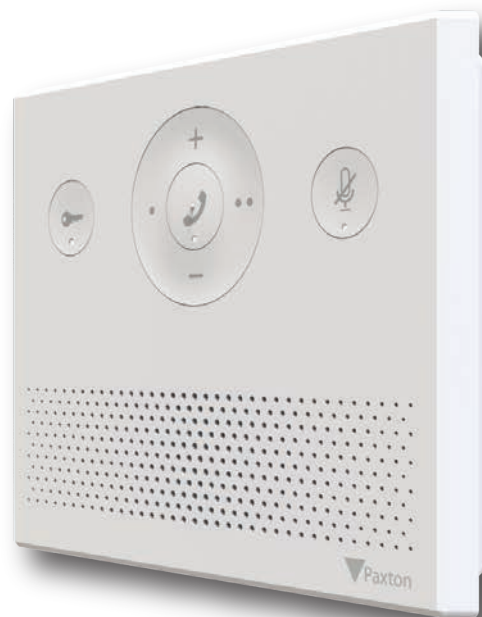
| | |
|-------------------------|--------|
| Selectable ringtones | Yes, 4 |
| Do Not Disturb function | Yes |
| Concierge compatible | Yes |

Environment

| | |
|-----------------------|--------------------------------|
| Operating Temperature | -0°C - +49°C +32°F - +120°F |
| Moisture resistance | No |
| Vandal Resistance | Low |
| Surface mount | Yes |
| Backbox compatibility | UK, Euro, USA |

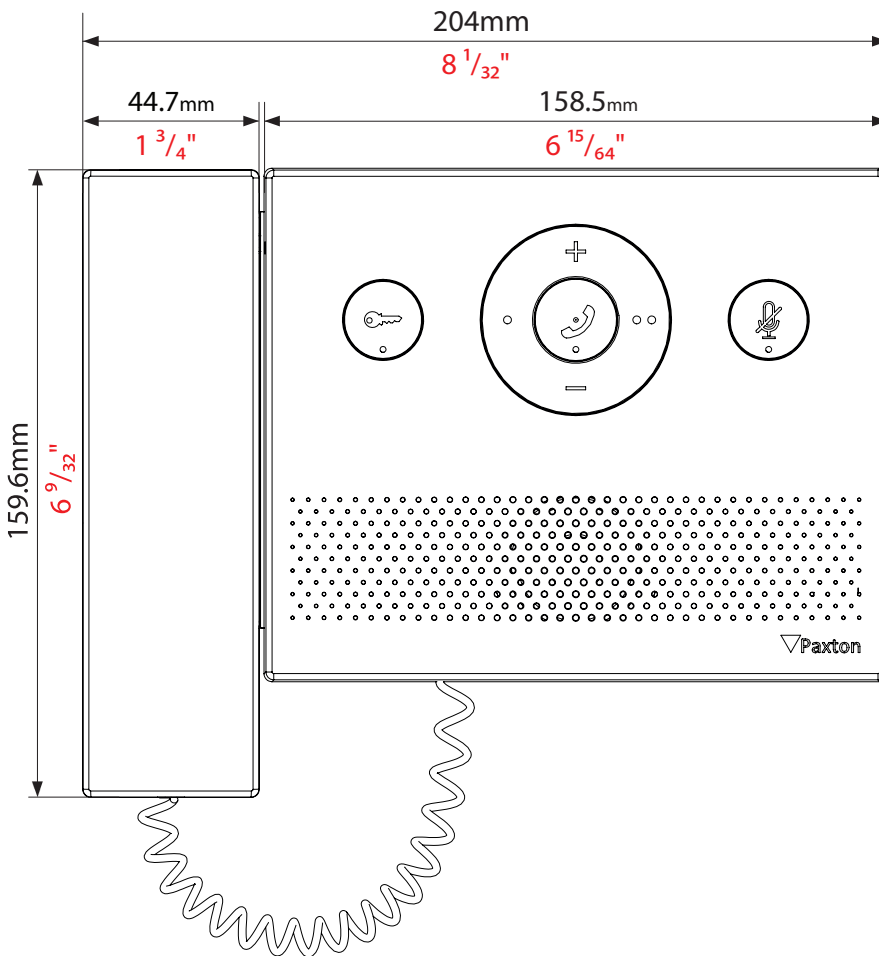
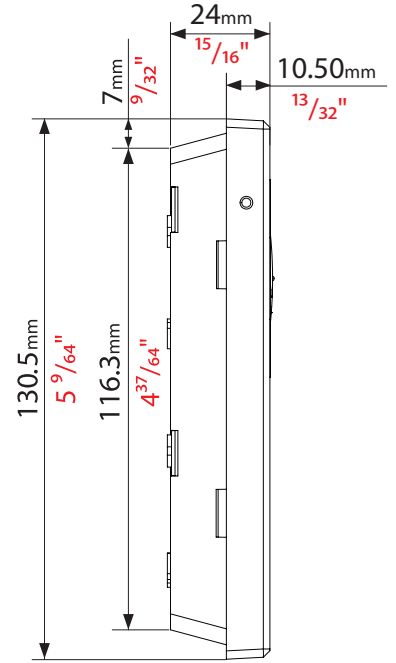
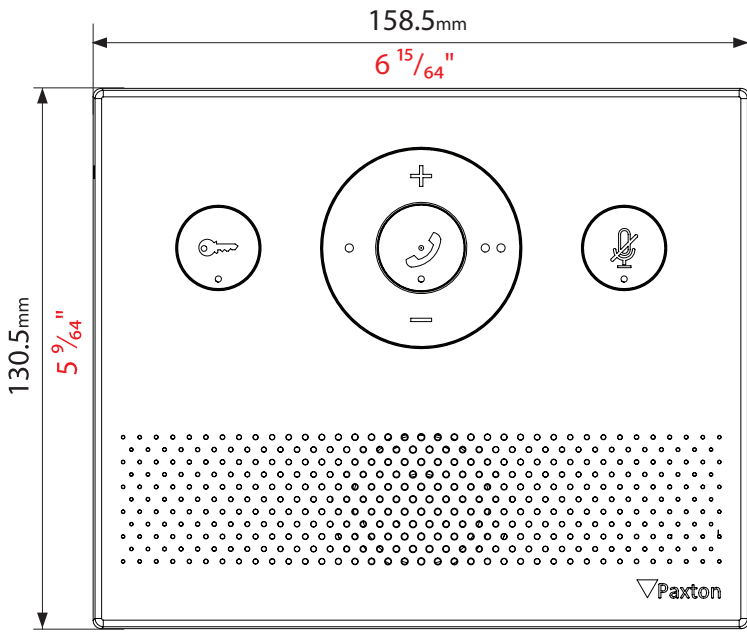
Accessories

| | |
|---------------|----------|
| Desktop stand | Optional |
|---------------|----------|



Net2 Entry is a door entry system that works standalone or alongside Paxton's Net2 access control, combining door entry with key features of Net2. Net2 Entry consists of 3 components that auto-detect on set up; external panel, interior monitor and door control unit. Net2 Entry is a plug and play solution that comes with a range of panel options and is suitable for a wide variety of sites.

The Net2 Entry Audio monitor comes either with or without a handset, and can be wall or desk mounted. Net2 Entry components simply interconnect using Cat5 or standard RJ45 terminated patch cables. Net2 Entry can also utilise existing network infrastructure for simple installation. PoE technology runs power and data along the same cable to avoid the need for separate power supplies. A visitor initiates a video call via the bell button on the external panel. Visitor access can be granted via the Net2 Entry Audio.



Sales codes

Net2 Entry Audio monitor 337-270

Accessories

Net2 Entry Audio monitor - with handset 337-272

