


## Technical Support

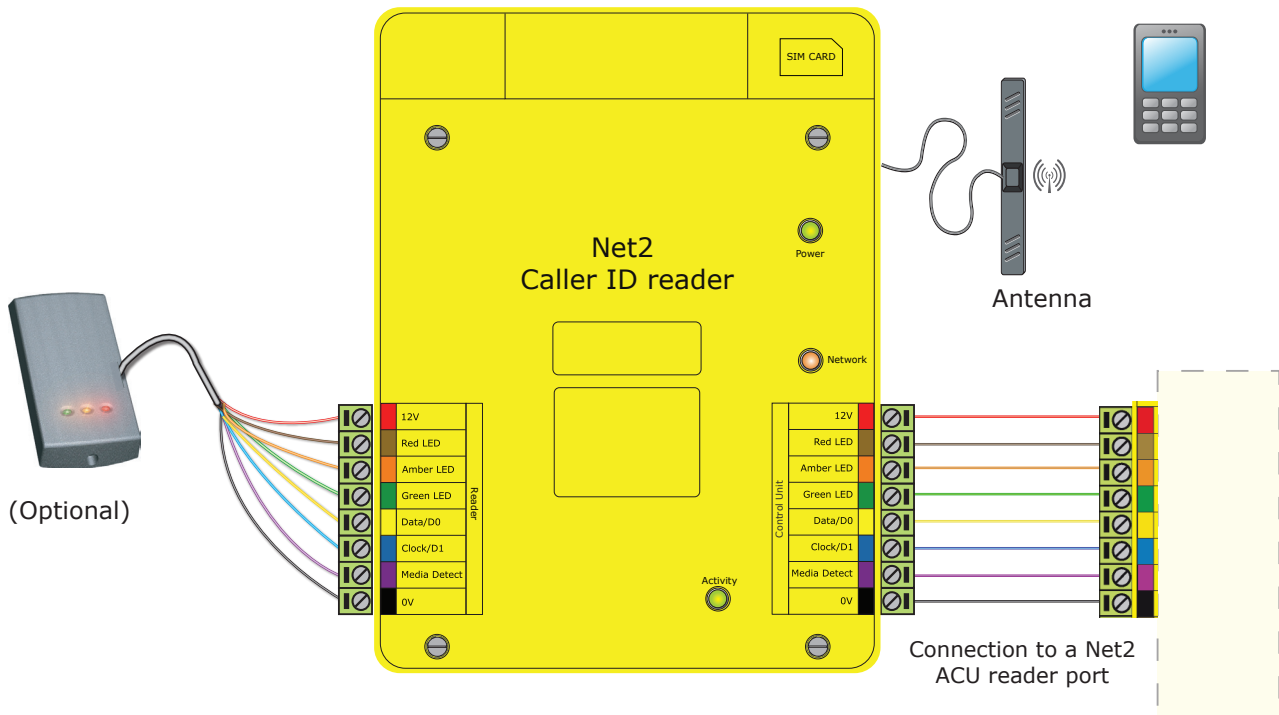
 01273 811011



support@paxton.co.uk

Technical help is available: Monday - Friday from 07:00 - 19:00 (GMT)  
Saturday from 09:00 - 13:00 (GMT)

Documentation on all Paxton products can be found on our website - <http://www.paxton.co.uk/>



## LED indications

- Power - 12v DC supply OK
- Network - Connected to the Mobile phone network
- Activity - The reader is receiving data from a mobile phone

## Installation

To register the SIM, create an account on the Paxton website. < <http://paxton.info/1713> >

The phone number will be supplied within 60 minutes of this process. There is a small monthly charge per SIM for this service, however, no data charges are incurred as the caller ID is sent without making a full connection.

Insert the SIM card in its holder at the top right of the unit.

A drilling template for the plastic housing is available at < <http://paxton.info/1715> >

If the device is to be installed where the mobile signal may be low, the antenna should be installed externally.

Secure the antenna by:

1. Internal - Remove the peel off paper from the adhesive strip and fix within the enclosure.
2. Externally - Disconnect the SMA screw connection and route the cable through any of the cabinet push-out plugs and fix to a smooth surface.

Wire the Caller ID reader colour for colour to a Net2 ACU reader port within a maximum cable length of 15 metres. Belden 9540 is recommended for all data cable wiring.

If a token reader is also fitted, it is connected to the Caller ID's own reader port within a maximum cable length to the Net2 ACU of 100 metres.

Power up the unit and confirm that the Power LED comes on. The Network LED will come on within a few minutes once the unit is active on its GSM network.

## Adding the user's phone to a Net2 user record

Set the reader operating mode in the Net2 software to 'Paxton Reader' and the Operating mode to 'Token only'

Enter the last 8 digits of the phone number into the Net2 user record as the token number.  
A phone number of 0777 123 456 becomes 77123456 as a Net2 token.

<b>Specifications</b>			
<b>Features</b>	Min	Max	
Phones supported			Caller ID enabled
Carrier frequency			Quad band GSM
<b>Electrical</b>			
Voltage - Reader module	10V DC	14V DC	
Current - Reader module		500 mA	
Additional power supply required			No
Cable length between ACU and Caller ID reader		15 m	
<b>Environment</b>			
Operating temperature	- 20 °C	+ 55 °C	
Waterproof			No
<b>Dimensions</b>			
	Width	Height	Depth
White plastic housing	200 mm	200 mm	75 mm



The declaration of conformity is available on request. Contact details are provided at: <http://paxton.info/596>  
Paxton Access Ltd hereby declares that this product is in conformity with all the essential requirements of Directive 1999/5/EC. This equipment is intended for use in all EU and EFTA countries and all other countries worldwide.

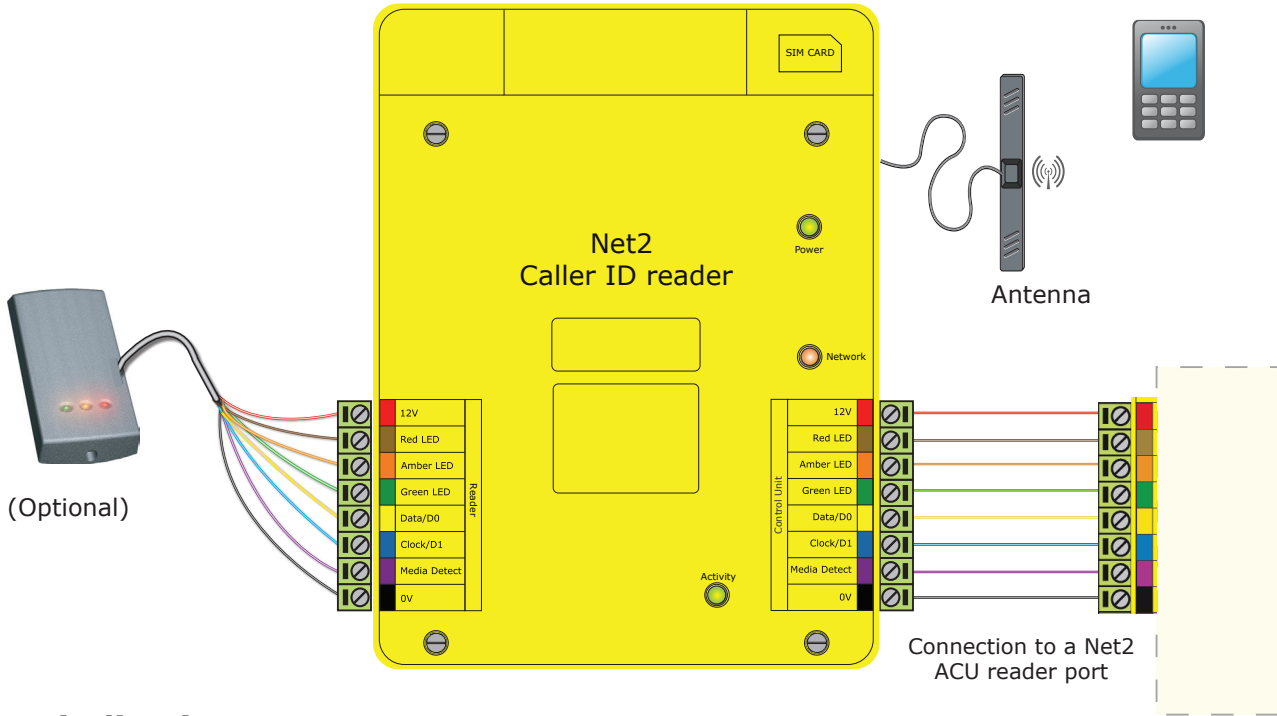
**Technical Support**

☎ 01273 811011

✉ [support@paxton.co.uk](mailto:support@paxton.co.uk)

Technical help is available: Monday - Friday from 07:00 - 19:00 (GMT)  
Saturday from 09:00 - 13:00 (GMT)

Documentation on all Paxton products can be found on our website - <http://www.paxton.co.uk/>



**LED indications**

- Power - 12v DC supply OK
- Network - Connected to the Mobile phone network
- Activity - The reader is receiving data from a mobile phone

**Installation**

To register the SIM, create an account on the Paxton website. < <http://paxton.info/1713> >  
The phone number will be supplied within 60 minutes of this process. There is a small monthly charge per SIM for this service, however, no data charges are incurred as the caller ID is sent without making a full connection.

Insert the SIM card in its holder at the top right of the unit.

A drilling template for the plastic housing is available at < <http://paxton.info/1715> >

If the device is to be installed where the mobile signal may be low, the antenna should be installed externally.

Secure the antenna by:

1. Internal - Remove the peel off paper from the adhesive strip and fix within the enclosure.
2. Externally - Disconnect the SMA screw connection and route the cable through any of the cabinet push-out plugs and fix to a smooth surface.

Wire the Caller ID reader colour for colour to a Net2 ACU reader port within a maximum cable length of 15 metres. Belden 9540 is recommended for all data cable wiring.

If a token reader is also fitted, it is connected to the Caller ID's own reader port within a maximum cable length to the Net2 ACU of 100 metres.

Power up the unit and confirm that the Power LED comes on. The Network LED will come on within a few minutes once the unit is active on its GSM network.

## Adding the user's phone to a Net2 user record

Set the reader operating mode in the Net2 software to 'Paxton Reader' and the Operating mode to 'Token only'

Enter the last 8 digits of the phone number into the Net2 user record as the token number.  
A phone number of 0777 123 456 becomes 77123456 as a Net2 token.

<b>Specifications</b>			
<b>Features</b>	Min	Max	
Phones supported			Caller ID enabled
Carrier frequency			Quad band GSM
<b>Electrical</b>			
Voltage - Reader module	10V DC	14V DC	
Current - Reader module		500 mA	
Additional power supply required			No
Cable length between ACU and Caller ID reader		15 m	
<b>Environment</b>			
Operating temperature	- 20 °C	+ 55 °C	
Waterproof			No
<b>Dimensions</b>			
White plastic housing	Width 200 mm	Height 200 mm	Depth 75 mm



The declaration of conformity is available on request. Contact details are provided at: <http://paxton.info/596>  
Paxton Access Ltd hereby declares that this product is in conformity with all the essential requirements of Directive 1999/5/EC. This equipment is intended for use in all EU and EFTA countries and all other countries worldwide.