



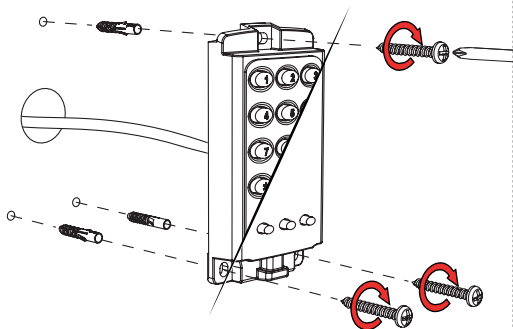
ins-20800

Proximity readers and Keypads

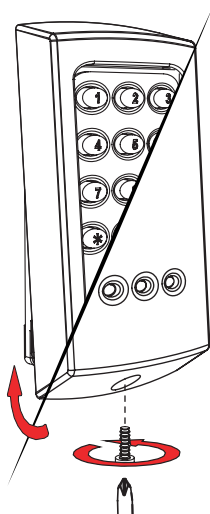


Mounting

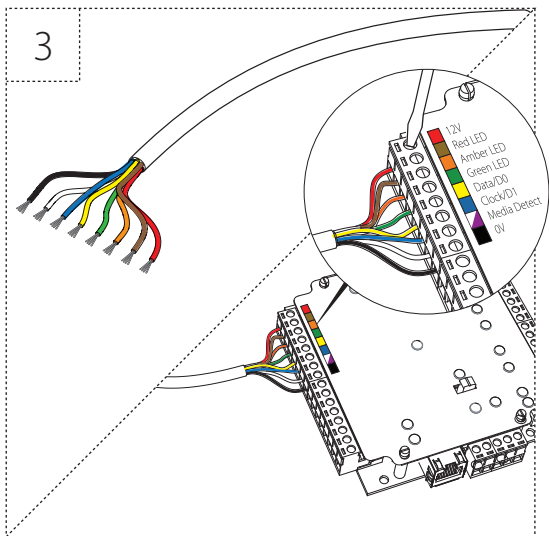
1



2

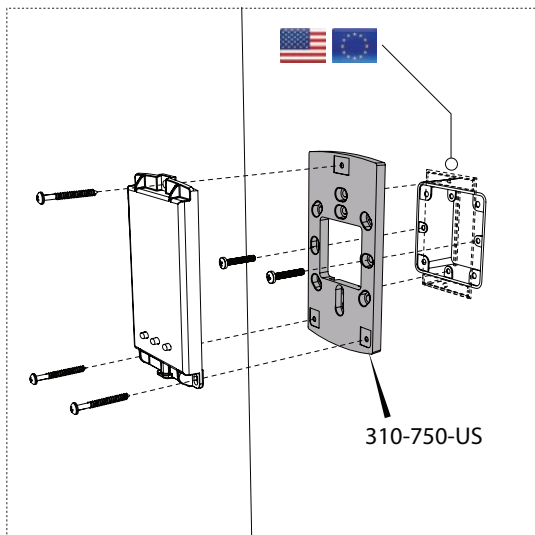


Wiring



Installation guidelines

- Readers should be mounted a minimum of 300mm/12" apart and not back to back.
- All Proximity (P) and keypad proximity (KP) readers should not be mounted on metal surfaces.
- Screw connector option - The unit should be mounted in conjunction with an electrical backbox to achieve the required clearance for the connector. If an adaptor plate (310-750) is fitted, the mountings on the backbox can also be used.



If a 75 series backbox adaptor kit (310-750-US) is fitted, the mountings on a backbox can also be used.

Technical Help

1 - Readers/Keypads not working.

- Software settings - Confirm that the settings of the reader or keypad are correct.
- Connections - Check the wiring and integrity of the connectors. If possible, test this reader on the other port.
- Extended cable - Belden 9540/5306FE should be used up to a maximum of 328 feet. Twisted pair alarm cable should not be used. To confirm that an extended reader cable is not at fault, wire the reader directly to the port.
- Supply voltage - Confirm that the voltage is within specification. (see table)

- User token - Confirm that the user token used for testing is OK by presenting it to a known working reader.
- Interference - Confirm whether the reader works when tested 'in hand' and not mounted on the wall.
- PROXIMITY readers should not be mounted back to back or close to other RF devices.

2 - Readers / Keypads - Extending cable.

- Only Belden 9540/9540 or a UL equivalent can be used for cable extensions. The maximum run is 328 feet.

3 - Net2 - Using a door reader as a desktop reader.

- It is possible to configure a door reader to operate as a desktop reader:

1 - Select the doors menu in the left hand Net2 pane.

2 - Click on the door you wish to change the reader to act as a desktop reader.

3 - Under the relevant reader tab, change the reader operating mode to 'Desktop Reader'.

4 - The PC displays 'Would you like to accept desktop reader events from this reader at the PC?'; click 'Yes'

Now when you present a blank or existing token to that reader it will allow you to add this new token or edit the existing one.

NOTE: Remember to return the operating mode to the original setting once the cards have been read or users will not be able to gain access through the reader. KP Reader - Ensure that Keypad type is set to 'None', otherwise the Desktop reader option will not be available.

4 - Net2. What to do if a user has no access - Check the reader LED's when a card is shown.

- No LED's - the reader has no power.
- No change in display - try the card on a known working reader. If there is still no response, replace the card.
- Green LED flashing when a card is presented; check relay 1 LED to check for activity and also the lock wiring.
- Red LED is flashing when a card is presented; check the validity of the user at the PC.
- Check user's access level and ensure they should have access by clicking on Current Validity.
- Check the 'Expires end' date and confirm this has not been past.
- Reinstate the ACU from the doors screen. Select the ACU's you wish to reinstate and then click OK.

Specifications

	373-110	375-110	371-110	372-110	345-110	345-220
Current @ 12V DC	130mA	180mA	120mA	120mA	130mA	130mA
Handsfree	✓	✓	✗	✗	✓	✗
HID compatible	✗	✗	✗	✗	✗	✓
Waterproof	✓	✗	✗	✗	✓	✓
Mounted on metal surface	✗	✗	✓	✓	✗	✗
Operating temperature	-35°C - +66°C -31°F - +151°F					



<http://paxton.info/1606>



☎ +44 (0)1273 811011

✉ support@paxton.co.uk

📄 paxton.support



☎ +1(800) 672-7298

✉ supportUS@paxton-access.com

📄 usapaxton.support



☎ +49 (0) 251 2080 6900

✉ support@paxton-gmbh.de

📄 paxton.gmbh.support



☎ +31 (0)76 3333 999

✉ support@paxton-benelux.com

📄 paxton.benelux.support



☎ +33 (0)157 329356

✉ support@paxtonaccess.fr

📄 paxton.support



☎ +27 (0) 272 14276691

✉ support@paxtonaccess.co.za

📄 paxton.support



☎ 8000 3570 3783

✉ support@paxtonaccess.ae

📄 paxton.support



☎ +1 (864) 751-3501

✉ soporte@paxton-access.com

📄 paxton.soporte



☎ +44 (0)1273 811011

✉ support@paxton.co.uk

📄 paxton.support

The declaration of conformity is available on request. Contact details are provided at: <http://paxton.info/596>

These products are not suitable for retail sale. All warranties are invalid if these products are not installed by a competent person.

North America:-

Product compliance and limitations

To comply as a UL listed installation, the following conditions must apply:-

- Server based functions (Antipassback, Time and Attendance, etc) have not been evaluated by UL and cannot be used for UL 294 installations.
- Where an equivalent cable / wire is used it must be ' UL Listed 'All interconnecting devices must be UL Listed.
- The use of Wiegand readers and the configuration software has not been evaluated by 'UL'
- For CAN/ULC-S319 installations, terminals, leads and wiring methods must comply with CSA, C22.1, Canadian electrical code, Part 1, safety standards for electrical installations.
- The use of any add-on, expansion, memory or other module manufactured or supplied by the manufacturer's representative will invalidate the CAN/ULC-S319 certification.
- Wiring methods shall be in accordance with the National Electrical Code (ANSI/NFPA70), local codes, and the authorities having jurisdiction.

This device complies with Industry Canada licence-exempt RSS standard(s). Operation is subject to the following two conditions: (1) this device may not cause interference, and (2) this device must accept any interference, including interference that may cause undesired operation of the device.

FCC Compliance

This device complies with Part 15 of the FCC Rules. Operation is subject to the following two conditions:

(1) this device may not cause harmful interference, and (2) this device must accept any interference received, including interference that may cause undesired operation. Changes or modifications not expressly approved by the party responsible for compliance could void the user's authority to operate the equipment.

Conformité et limitations du produit

Pour que l'installation répond aux normes UL, les conditions suivantes sont applicables:-

- Les fonctions serveur (Antipassback, Pointage, etc.) n'ont pas été évalué par l'UL et ne peuvent pas être utilisés pour les installations UL294.
- L'utilisation des lecteurs Wiegand et le logiciel de configuration n'ont pas été évalués par 'UL'
- Quand un câble équivalent est utilisé, il doit être 'listé UL' Tout appareil d'interconnexion doit être listé UL
- Pour les installation CAN/ULC-S319, les terminaux, câbles et méthodes de câblage doivent être en accord avec CSA, C22.1, code électrique canadien, Partie 1, standards de sécurité pour les installations électriques.
- L'utilisation de tout rajout, extension, mémoire ou module fabriqué ou fourni par le représentant du fabricant invalidera la certification CAN/ULC-S319
- Les méthodes de câblage doivent être en accord avec le code nation électrique (ANSI/NFPA70), codes locaux et les autorités ayant la juridiction.

Ce dispositif est conforme au(x) standards RSS de l'industrie Canadienne sans-licence. Le fonctionnement est soumis aux deux conditions suivantes : (1) ce dispositif ne doit pas créer d'interférences nuisibles et (2) ce dispositif doit accepter toute interférence reçue, y compris des interférences qui peuvent causer un fonctionnement non souhaité.

Conformité FCC

Ce dispositif est conforme à la section 15 du règlement de la FCC. Le fonctionnement est soumis aux deux conditions suivantes : (1) ce dispositif ne doit pas créer d'interférences nuisibles et (2) ce dispositif doit accepter toute interférence reçue, y compris des interférences qui peuvent causer un fonctionnement non souhaité. Tout changement ou modification non agréé par la partie responsable de la mise en conformité peut entraîner une interdiction d'utilisation de l'équipement.

Directives d'installation

- Les lecteurs doivent être installés un minimum de 300mm/12 "en dehors et pas dos à dos.
- Tous proximité (P) et un clavier proximité (KP) lecteurs ne doit pas être monté sur des surfaces métalliques.
- Connecteur par vis (en option) - L'appareil doit être monté avec un boîtier d'encastrement électrique pour obtenir l'espace nécessaire pour le connecteur. Si une plaque d'adaptation (310-750-F) est fixé, les fixations du boîtier d'encastrement peuvent être utilisés.

 Made in the UK

