

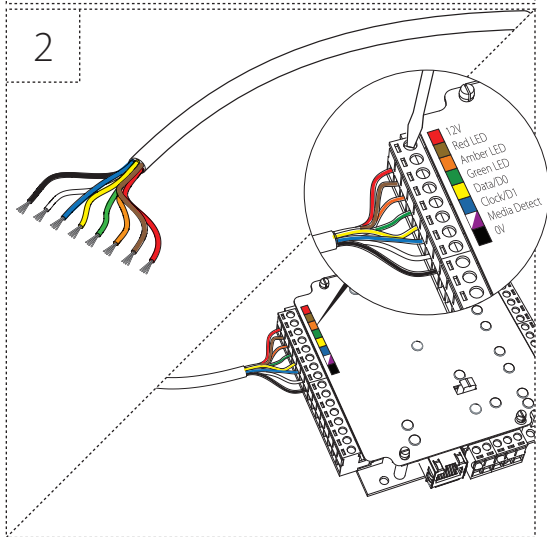
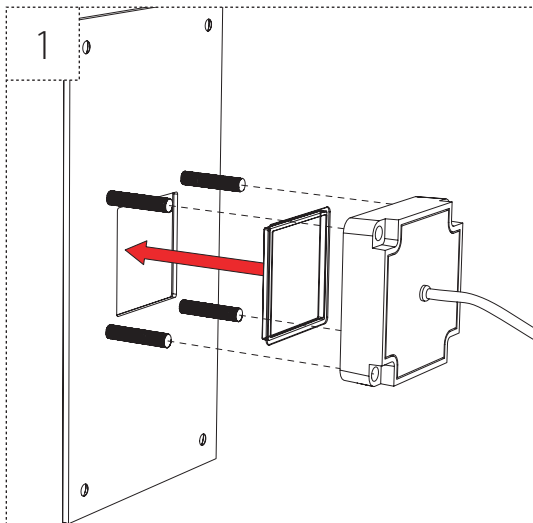


ins-20802

Panel mount readers



Mounting and wiring



Installation guidelines

- The panel mount reader is designed to fit into a door entry panel. It fits behind a reader aperture of industry standard size (40 mm x 40 mm) and is supplied with a polycarbonate window to match. See page 1 for installation.
- Holes are provided in each corner to fit over 4 posts set in a 49 mm square formation. Fixings are not provided as they will normally be supplied with the panel.

Technical Help

1 - Readers/Keypads not working.

- Software settings - Confirm that the settings of the reader or keypad are correct.
- Connections - Check the wiring and integrity of the connectors. If possible, test this reader on the other port.
- Extended cable - Belden 9540/5306FE should be used up to a maximum of 328 feet. Twisted pair alarm cable should not be used. To confirm that an extended reader cable is not at fault, wire the reader directly to the port.
- Supply voltage - Confirm that the voltage is within specification. (see table)
- User token - Confirm that the user token used for testing is OK by presenting it to a known working reader.
- Interference - Confirm whether the reader works when tested 'in hand' and not mounted on the wall.
- PROXIMITY readers should not be mounted back to back or close to other RF devices.

2 - Net2. What to do if a user has no access - Check the reader LED's when a card is shown.

- No LED's - the reader has no power.
- No change in display - try the card on a known working reader. If there is still no response, replace the card.
- Green LED flashing when a card is presented; check relay 1 LED to check for activity and also the lock wiring.
- Red LED is flashing when a card is presented; check the validity of the user at the PC.
- Check user's access level and ensure they should have access by clicking on Current Validity.
- Check the 'Expires end' date and confirm this has not been past.

Reinstate the ACU from the doors screen. Select the ACU's you wish to reinstate and then click OK. otherwise the Desktop reader option will not be available.

3 - Switch2 - Adding an additional card pack.

You need to be in possession of the original enrolment card. Present the original enrolment card to the reader and the Amber LED will flash, Green & Red LEDs will be off, then present the Enrolment card from the new card pack; the reader will beep and all LEDs will be lit. The additional cards will now be valid. Repeat this with each reader and with any additional card packs. Any valid enrolment card can be used to add further packs. This is the same for enrolling function card packs onto a system.

4 - Switch2 - How to reset the controller.

1. Disconnect the power and remove the wires from the Green and Mauve terminals
2. Insert a wire link between the Green and Mauve terminals
3. Reconnect the power (the unit will bleep 4 times)
4. Disconnect the power and remove the link wire, reconnect the Green and Mauve wires
5. Reconnect the power (the unit will bleep 3 times per second). The unit is ready to be enrolled.

Specifications

Current @ 12V DC	390-135 110mA
Handsfree	✘
Genuine HID™ Technology	✔
Waterproof	✔
Mounted on metal surface	✔
Operating temperature	-40°C - +66°C -40°F - +151°F



☎ +44 (0)1273 811011

✉ support@paxton.co.uk

📄 paxton.support



☎ +1(800) 672-7298

✉ supportUS@paxton-access.com

📄 usapaxton.support



☎ +49 (0) 251 2080 6900

✉ support@paxton-gmbh.de

📄 paxton.gmbh.support



☎ +31 (0)76 3333 999

✉ support@paxton-benelux.com

📄 paxton.benelux.support



☎ +33 (0)157 329356

✉ support@paxtonaccess.fr

📄 paxton.support



☎ +27 (0) 272 14276691

✉ support@paxtonaccess.co.za

📄 paxton.support



☎ 8000 3570 3783

✉ support@paxtonaccess.ae

📄 paxton.support



☎ +1 (864) 751-3501

✉ soporte@paxton-access.com

📄 paxton.soporte



☎ +44 (0)1273 811011

✉ support@paxton.co.uk

📄 paxton.support

The declaration of conformity is available on request. Contact details are provided at:
<http://paxton.info/596>

These products are not suitable for retail sale. All warranties are invalid if these products are not installed by a competent person.

North America:- Product compliance and limitations

To comply as a UL listed installation, the following conditions must apply:-

- Server based functions (Antipassback, Time and Attendance, etc) have not been evaluated by UL and cannot be used for UL 294 installations.
- Where an equivalent cable / wire is used it must be ' UL Listed 'All interconnecting devices must be UL Listed.
- The use of Wiegand readers and the configuration software has not been evaluated by 'UL'
- For CAN/ULC-5319 installations, terminals, leads and wiring methods must comply with CSA, C22.1, Canadian electrical code, Part 1, safety standards for electrical installations.
- The use of any add-on, expansion, memory or other module manufactured or supplied by the manufacturer's representative will invalidate the CAN/ULC-5319 certification.
- Wiring methods shall be in accordance with the National Electrical Code (ANSI/NFPA70), local codes, and the authorities having jurisdiction.

This device complies with Industry Canada licence-exempt RSS standard(s). Operation is subject to the following two conditions: (1) this device may not cause interference, and (2) this device must accept any interference, including interference that may cause undesired operation of the device.

FCC Compliance

This device complies with Part 15 of the FCC Rules. Operation is subject to the following two conditions:

(1) this device may not cause harmful interference, and (2) this device must accept any interference received, including interference that may cause undesired operation. Changes or modifications not expressly approved by the party responsible for compliance could void the user's authority to operate the equipment.

Conformité et limitations du produit

Pour que l'installation réponde aux normes UL, les conditions suivantes sont applicables:-

- Les fonctions serveur (Antipassback, Pointage, etc.) n'ont pas été évalués par l'UL et ne peuvent pas être utilisés pour les installations UL294.
- L'utilisation des lecteurs Wiegand et le logiciel de configuration n'ont pas été évalués par 'UL'
- Quand un câble équivalent est utilisé, il doit être 'listé UL'. Tout appareil d'interconnexion doit être listé UL.
- Pour les installations CAN/ULC-5319, les terminaux, câbles et méthodes de câblage doivent être en accord avec CSA, C22.1, code électrique canadien, Partie 1, standards de sécurité pour les installations électriques.
- L'utilisation de tout rajout, extension, mémoire ou module fabriqué ou fourni par le représentant du fabricant invalidera la certification CAN/ULC-5319.
- Les méthodes de câblage doivent être en accord avec le code national électrique (ANSI/NFPA70), codes locaux et les autorités ayant la juridiction.

Ce dispositif est conforme au(x) standards RSS de l'industrie Canadienne sans-licence. Le fonctionnement est soumis aux deux conditions suivantes : (1) ce dispositif ne doit pas créer d'interférences nuisibles et (2) ce dispositif doit accepter toute interférence reçue, y compris des interférences qui peuvent causer un fonctionnement non souhaité.

Conformité FCC

Ce dispositif est conforme à la section 15 du règlement de la FCC. Le fonctionnement est soumis aux deux conditions suivantes : (1) ce dispositif ne doit pas créer d'interférences nuisibles et (2) ce dispositif doit accepter toute interférence reçue, y compris des interférences qui peuvent causer un fonctionnement non souhaité. Tout changement ou modification non agréé par la partie responsable de la mise en conformité peut entraîner une interdiction d'utilisation de l'équipement.



<http://paxton.info/1606>

 Made in the UK

