

**Technical Support**



01273 811011



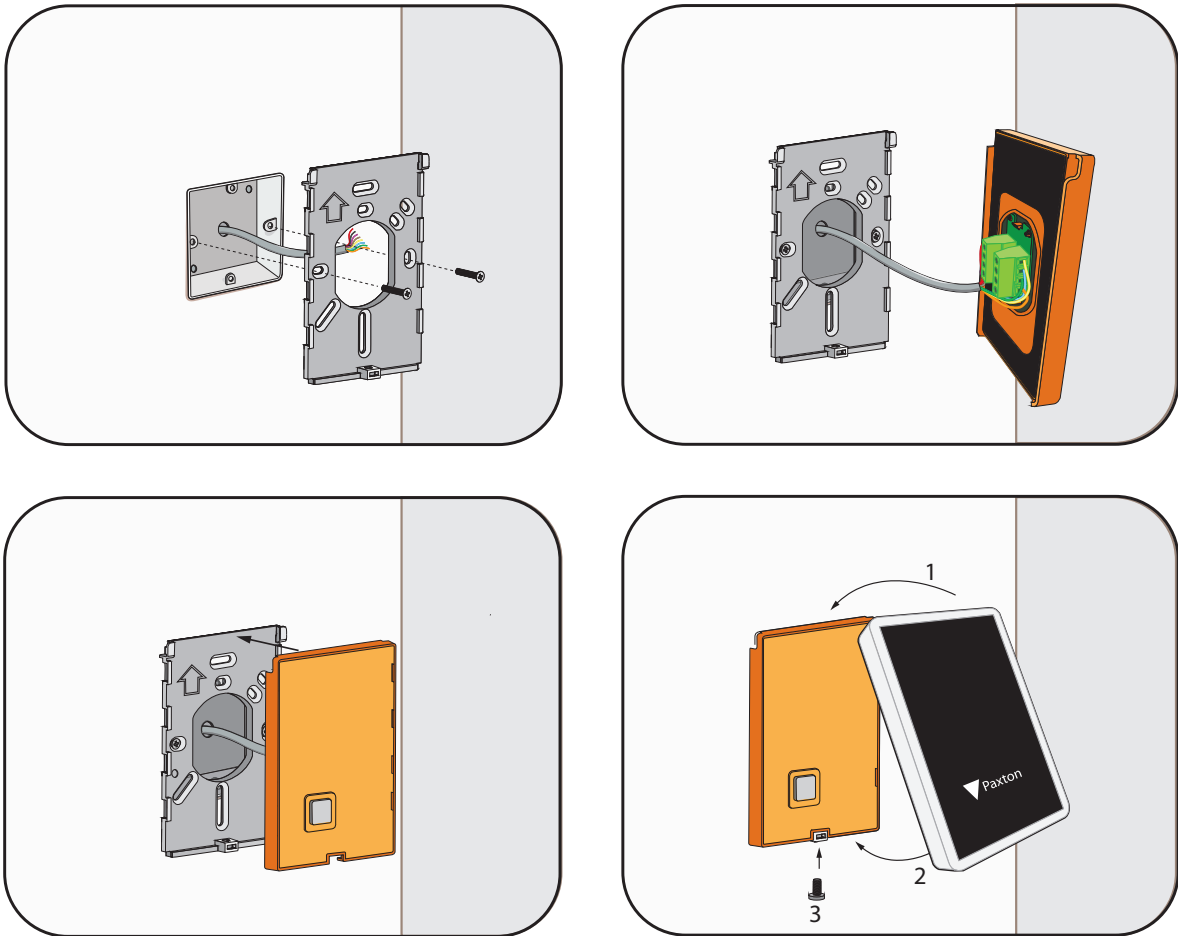
support@paxton.co.uk

Technical help is available: Monday - Friday from 07:00 - 19:00 (GMT)  
Saturday from 09:00 - 13:00 (GMT)

Documentation on all Paxton products can be found on our website - <http://www.paxton.co.uk/>

The back plate has been designed to fit the majority of UK, European and US backboxes.

The reader will operate with a wide range of tokens including Paxton, Hitag1, Hitag2, EM4100 and Mifare.



**Fitting**

Preparation - Install a standard electrical backbox at the required position. Run the data cable from the control unit location and tie off inside the backbox.

Installation - Attach the back plate to the backbox with the screws provided. Wire in the cable to the connector and clip the reader to the back plate. The reader can now be fully tested and the Net2 system commissioned.

Final fix - Once the building work, local decorating, etc. has been completed, you can add the reader cover and secure the assembly with the screw provided and peel off the protective film.

## Suitability

Security-sensitive doors



Mounted on metal surface



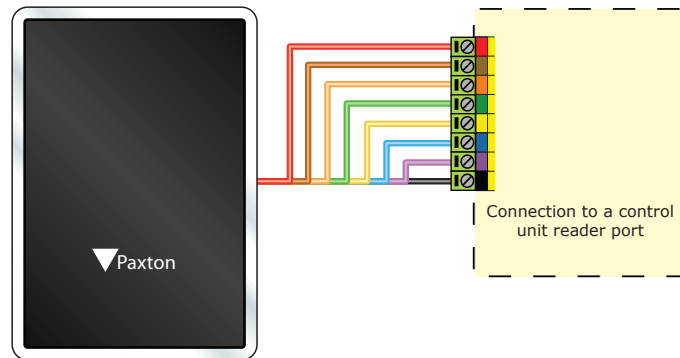
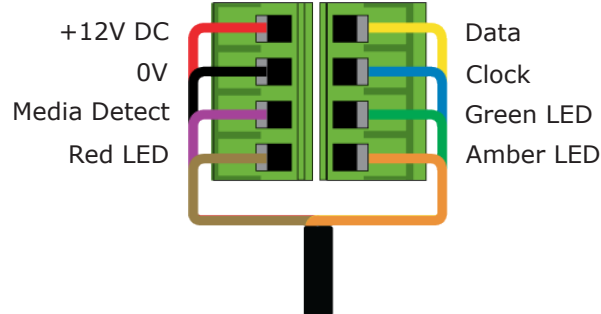
Wet environments



Readers mounted together

**300 mm**  
between  
readers

## Wiring



## Specifications

Environment	Min	Max	
Operating temperatures - all items	-20 °C	+55 °C	
Waterproof			No
Cable type - Beldon CR9538		25 m	
Cable type - Beldon CR9540		100m	
Electrical	Min	Max	
Voltage	10V DC	14V DC	
Current		140 mA	
Carrier frequency			125 kHz
			13.56 MHz
Clock and data bit period	570 µs	700 µs	
Dimensions	Width	Height	Depth
	87 mm	125 mm	18 mm

## Token type and read range

Mifare 1K	20 mm	Net2 keyfob	60 mm	EM4100 keyfob	60 mm
Mifare 4K	20 mm	Net2 token	125 mm	EM4100 token	50 mm
Mifare Ultralight / C	10 mm	Net2 watchprox	50 mm	EM4100 proxdisc	80 mm
Mifare Desfire	10 mm	Hitag2 ISO	125 mm	Hitag1 ISO	50 mm
		Hands Free Token	800 mm		

This product is not suitable for retail sale. All warranties are invalid if this product is not installed by a competent person.



The declaration of conformity is available on request. Contact details are provided at: <http://paxton.info/596>

**Technical Support**

☎ 01273 811011

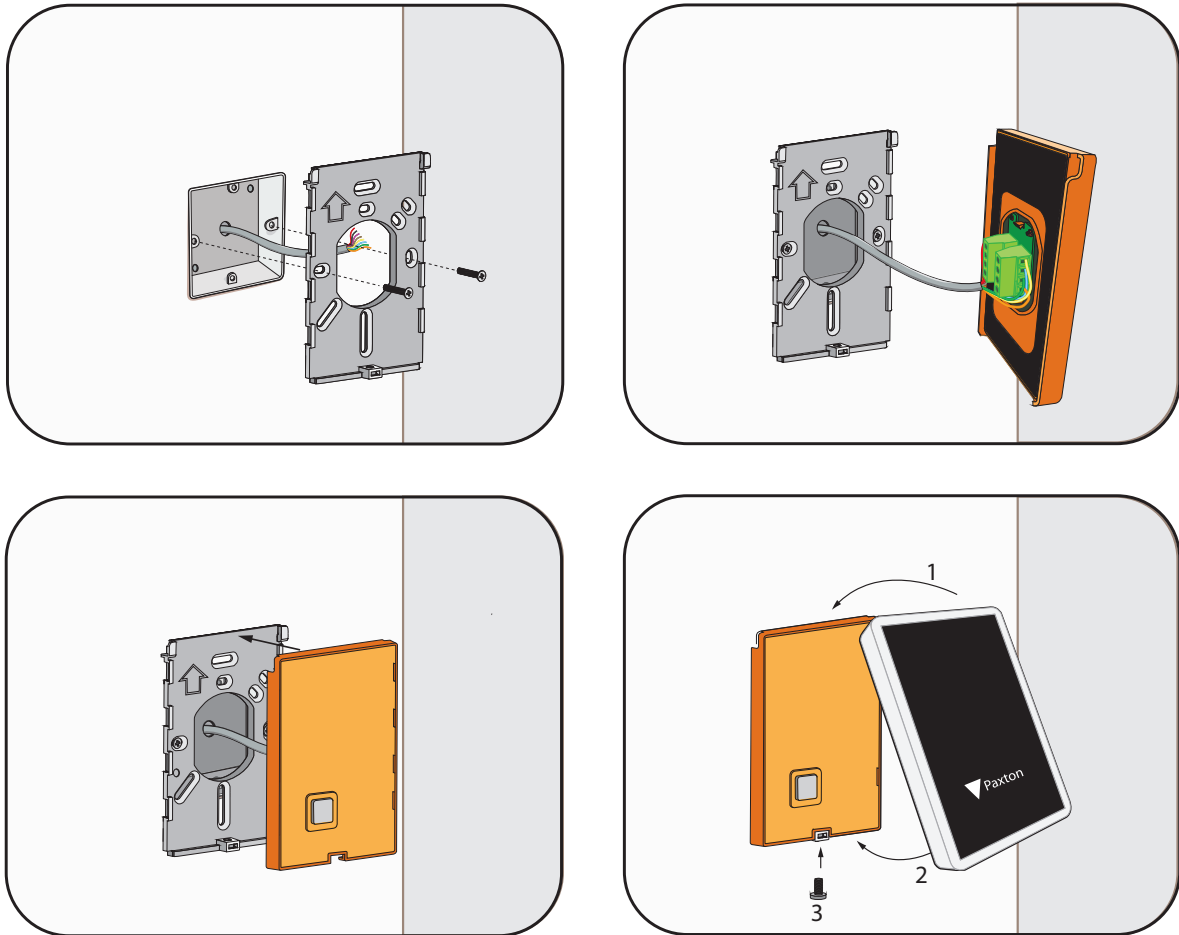
✉ [support@paxton.co.uk](mailto:support@paxton.co.uk)

Technical help is available: Monday - Friday from 07:00 - 19:00 (GMT)  
Saturday from 09:00 - 13:00 (GMT)

Documentation on all Paxton products can be found on our website - <http://www.paxton.co.uk/>

The back plate has been designed to fit the majority of UK, European and US backboxes.

The reader will operate with a wide range of tokens including Paxton, Hitag1, Hitag2, EM4100 and Mifare.



**Fitting**

Preparation - Install a standard electrical backbox at the required position. Run the data cable from the control unit location and tie off inside the backbox.

Installation - Attach the back plate to the backbox with the screws provided. Wire in the cable to the connector and clip the reader to the back plate. The reader can now be fully tested and the Net2 system commissioned.

Final fix - Once the building work, local decorating, etc. has been completed, you can add the reader cover and secure the assembly with the screw provided and peel off the protective film.

## Suitability

Security-sensitive doors



Mounted on metal surface



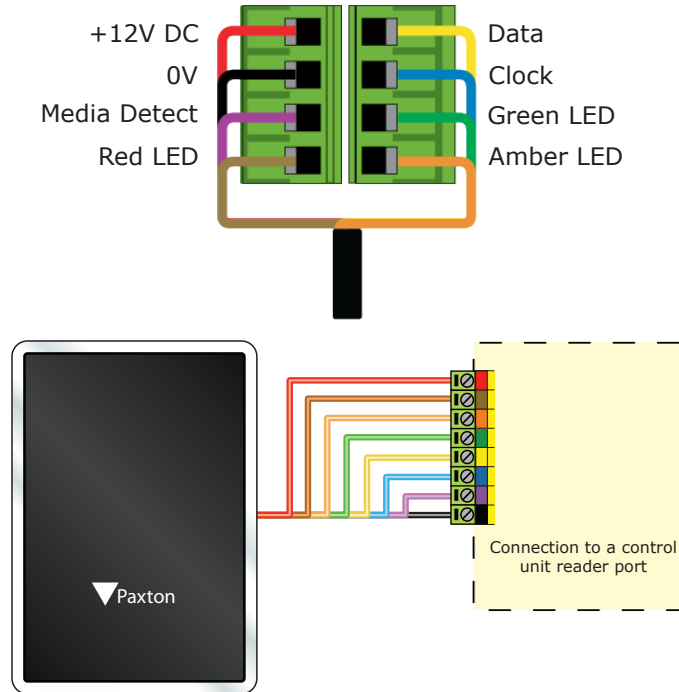
Wet environments



Readers mounted together

**300 mm**  
between  
readers

## Wiring



## Specifications

Environment			
	Min	Max	
Operating temperatures - all items	-20 °C	+55 °C	
Waterproof			No
Cable type - Beldon CR9538		25 m	
Cable type - Beldon CR9540		100m	
Electrical			
	Min	Max	
Voltage	10V DC	14V DC	
Current		140 mA	
Carrier frequency			125 kHz
			13.56 MHz
Clock and data bit period	570 µs	700 µs	
Dimensions			
	Width	Height	Depth
	87 mm	125 mm	18 mm

## Token type and read range

Mifare 1K	20 mm	Net2 keyfob	60 mm	EM4100 keyfob	60 mm
Mifare 4K	20 mm	Net2 token	125 mm	EM4100 token	50 mm
Mifare Ultralight / C	10 mm	Net2 watchprox	50 mm	EM4100 proxdisc	80 mm
Mifare Desfire	10 mm	Hitag2 ISO	125 mm	Hitag1 ISO	50 mm
		Hands Free Token	800 mm		

This product is not suitable for retail sale. All warranties are invalid if this product is not installed by a competent person.



The declaration of conformity is available on request. Contact details are provided at: <http://paxton.info/596>