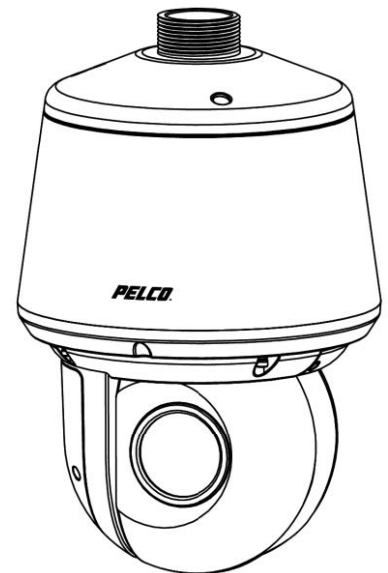




# Spectra® Professional IR and 4K Series IP PTZ Outdoor Camera

## Installation Manual



P2230-ESR  
P2820-ESR  
P22320L-ESR

# Contents

- Important Safety Instructions.....3
- Important Notices .....4
  - Regulatory Notices [FCC Class A] .....4
  - Radio and Television Interference .....4
  - Legal Notice [Audio Notice].....4
  - Video Quality Caution .....4
  - Frame Rate Notice Regarding User Selected Options.....4
  - Open Source Software.....5
  - Korean Class A EMC .....5
  - ESD Warning .....5
  - Warranty .....5
  - Network Topology Statement.....5
- Getting Started .....6
- Wall/Pendant/Parapet Models .....6
- Product Overview .....7
- Installation .....8
  - Pelco Mounts .....8
- Pelco Troubleshooting Contact Information .....12
- Note for Dimension Drawings.....12

# Important Safety Instructions

1. Read these instructions.
2. Keep these instructions.
3. Heed all warnings.
4. Follow all instructions.
5. Clean only with dry cloth.
6. Do not install near any heat sources such as radiators, heat registers, stoves, or other apparatus (including amplifiers) that produce heat.
7. Only use attachments/accessories specified by the manufacturer.
8. Refer all servicing to qualified service personnel. Servicing is required when the apparatus has been damaged in any way, such as power-supply cord or plug is damaged, liquid has been spilled or objects have fallen into the apparatus, does not operate normally, or has been dropped.
9. Installation should be done only by qualified personnel and conform to all local codes.
10. Use only installation methods and materials capable of supporting four times the maximum specified load.
11. Use stainless steel hardware to fasten the mount to outdoor surfaces.
12. To prevent damage from water leakage when installing a mount outdoors on a roof or wall, apply sealant around the bolt holes between the mount and mounting surface.
13. The mounting height above ground level shall be more than 3 meter for wall mount height.

**CAUTION:** These servicing instructions are for use by qualified service personnel only. To reduce the risk of electric shock do not perform any servicing other than that contained in the operating instructions unless you are qualified to do so.

Only use replacement parts recommended by Pelco.

The product and/or manual may bear the following marks:



This symbol indicates that dangerous voltage constituting a risk of electric shock is present within this unit.

**CAUTION: RISK OF ELECTRIC SHOCK. DO NOT OPEN.**



This symbol indicates that there are important operating and maintenance instructions in the literature accompanying this unit



**WARNING: HAZARDOUS MOVING PARTS. KEEP FINGERS AND OTHER BODY PARTS AWAY.**



Denotes Class II double insulated device.



**WARNING:** This product is sensitive to Electrostatic Discharge (ESD). To avoid ESD damage to this product, use ESD safe practices during installation. Before touching, adjusting or handling this product, correctly attach an ESD wrist strap to your wrist and appropriately discharge your body and tools. For more information about ESD control and safe handling practices of electronics, please refer to ANSI/ESD S20.20-1999 or contact the Electrostatic Discharge Association ([www.esda.org](http://www.esda.org)).

# Important Notices

## REGULATORY NOTICES [FCC CLASS A]

This device complies with Part 15 of the FCC Rules. Operation is subject to the following two conditions: (1) this device may not cause harmful interference, and (2) this device must accept any interference received, including interference that may cause undesired operation.

## RADIO AND TELEVISION INTERFERENCE

This equipment has been tested and found to comply with the limits of a Class A digital device, pursuant to Part 15 of the FCC rules. These limits are designed to provide reasonable protection against harmful interference when the equipment is operated in a commercial environment. This equipment generates, uses, and can radiate radio frequency energy and, if not installed and used in accordance with the instruction manual, may cause harmful interference to radio communications. Operation of this equipment in a residential area is likely to cause harmful interference in which case the user will be required to correct the interference at his own expense.

Changes and Modifications not expressly approved by the manufacturer or registrant of this equipment can void your authority to operate this equipment under Federal Communications Commission's rules.

Cet appareil numérique de la classe A est conforme à la norme NMB-003 du Canada.

## LEGAL NOTICE [AUDIO NOTICE]

SOME PELCO EQUIPMENT CONTAINS, AND THE SOFTWARE ENABLES, AUDIO/VISUAL AND RECORDING CAPABILITIES, THE IMPROPER USE OF WHICH MAY SUBJECT YOU TO CIVIL AND CRIMINAL PENALTIES. APPLICABLE LAWS REGARDING THE USE OF SUCH CAPABILITIES VARY BETWEEN JURISDICTIONS AND MAY REQUIRE, AMONG OTHER THINGS, EXPRESS WRITTEN CONSENT FROM RECORDED SUBJECTS. YOU ARE SOLELY RESPONSIBLE FOR INSURING STRICT COMPLIANCE WITH SUCH LAWS AND FOR STRICT ADHERENCE TO ANY/ALL RIGHTS OF PRIVACY AND PERSONALTY. USE OF THIS EQUIPMENT AND/OR SOFTWARE FOR ILLEGAL SURVEILLANCE OR MONITORING SHALL BE DEEMED UNAUTHORIZED USE IN VIOLATION OF THE END USER SOFTWARE AGREEMENT AND RESULT IN THE IMMEDIATE TERMINATION OF YOUR LICENSE RIGHTS THEREUNDER.

**NOTE:** Improper use of audio/visual recording equipment may subject you to civil and criminal penalties. Applicable laws regarding the use of such capabilities vary between jurisdictions and may require, among other things, express written consent from the recorded subjects. You are solely responsible for insuring strict compliance with such laws and for strict adherence to any/all right of privacy and personality.

## VIDEO QUALITY CAUTION

### FRAME RATE NOTICE REGARDING USER SELECTED OPTIONS

Pelco systems are capable of providing high quality video for both live viewing and playback. However, the systems can be used in lower quality modes, which can degrade picture quality, to allow for a slower rate of data transfer and to reduce the amount of video data stored. The picture quality can be degraded by either lowering the resolution, reducing the picture rate, or both. A picture degraded by having a reduced resolution may result in an image that is less clear or even indiscernible. A picture degraded by reducing the picture rate has fewer frames per second, which can result in images that appear to jump or move more quickly than normal during playback. Lower frame rates may result in a key event not being recorded by the system.

Judgment as to the suitability of the products for users' purposes is solely the users' responsibility. Users shall determine the suitability of the products for their own intended application, picture rate and picture quality. In the event users intend to use the video for evidentiary purposes in a judicial proceeding or otherwise, users should consult with their attorney regarding any particular requirements for such use.

## OPEN SOURCE SOFTWARE

This product includes certain open source or other software originated from third parties that is subject to the GNU General Public License (GPL), GNU Library/Lesser General Public License (LGPL) and different and/or additional copyright licenses, disclaimers, and notices.

The exact terms of GPL, LGPL, and some other licenses are provided to you with this product. Please refer to the exact terms of the GPL and LGPL at <http://www.fsf.org> (Free Software Foundation) or <http://www.opensource.org> (Open Source Initiative) regarding your rights under said license. You may obtain a complete corresponding machine-readable copy of the source code of such software under the GPL or LGPL by sending your request to [digitalsupport@pelco.com](mailto:digitalsupport@pelco.com); the subject line should read Source Code Request. You will then receive an email with a link for you to download the source code.

This offer is valid for a period of three (3) years from the date of the distribution of this product by Pelco.

## KOREAN CLASS A EMC

이 기기는 업무용 (A 급) 전자파 적합기기로서 판매자 또는 사용자는 이 점을 주의하시길 바라며, 가정 외의 지역에서 사용하는 것을 목적으로 합니다.

## ESD WARNING



**WARNING:** This product is sensitive to Electrostatic Discharge (ESD). To avoid ESD damage to this product, use ESD safe practices during installation. Before touching, adjusting or handling this product, correctly attach an ESD wrist strap to your wrist and appropriately discharge your body and tools. For more information about ESD control and safe handling practices of electronics, please refer to ANSI/ESD S20.20-1999 or contact the Electrostatic Discharge Association ([www.esda.org](http://www.esda.org)).

## WARRANTY

For information about Pelco's product warranty and thereto related information, refer to [www.pelco.com/warranty](http://www.pelco.com/warranty).

## NETWORK TOPOLOGY STATEMENT

**IMPORTANT NOTE. PLEASE READ.** The network implementation is shown as a general representation only and is not intended to show a detailed network topology. Your actual network will differ, requiring changes or perhaps additional network equipment to accommodate the system as illustrated. Please contact your local Pelco representative to discuss your specific requirements.

# Getting Started

Before installing your device, thoroughly familiarize yourself with the information in the installation section of this manual.

## NOTES

- Pelco recommends connecting the device to a network that uses Dynamic Host Configuration Protocol (DHCP) server to address devices.
- To ensure secure access, place the device behind a firewall when it is connected to a network.
- Ensure power source used is 48VDC, 24VAC or PoE BT.

### NOTE:

- The product is intended to be supplied by a Listed Power Unit marked "L.P.S." (or "Limited Power Source") and rated output:
  - 24Vac, 50/60Hz, 3A, 48Vdc, 1.2A or PoE BT 0.96A minimum (for model P2230-ESR)
  - 24Vac, 50/60Hz, 3.3A, 48Vdc, 1.2A or PoE BT 1.1A minimum (for model P2230L-ESR)
  - 24Vac, 50/60Hz, 3.3A, 48Vdc, 1.2A or PoE BT, 1.2 A minimum (for model P2820-ESR)
- The product shall be installed by a qualified service person and the installation shall conform to all local codes.

# Wall/Pendant/Parapet Models

## SUPPLIED PARTS LIST

QTY	DESCRIPTION
1	IP PTZ Outdoor Dome
1	Pin-in T-20 Torx Star Wrench
1	Pin-in T-6 Torx Star Wrench
1	12-pin Terminal Block
1	2-pin Terminal Block
1	Printed Installation Manual, Important Safety Instructions, and Resources Sheet
3	Rubber Cap
1	Anti- Seize Lubricant (Dow Corning MOLYKOTE 4 Electrical Insulating Compound)
1	Printed ROHS Statement Slip
1	Water proof gland

## USER SUPPLIED PARTS LIST

QTY	DESCRIPTION
1	Drill
1	Screwdriver
1	Wire Cutter
1	IWM/IDM/SWM or PP series mounts offered by Pelco (not supplied), (refer to specification sheet for applicable mounts).
1	Pipe nipple adapters (if using pipe/conduit)
1	Conduit adapters (if applicable)
1	Rain Tight Compression Connector with lock nut (if applicable)
1	RJ-45 connector to terminate wires
1	Cat5 (or higher) cable

- 1 2-wire power cable and 12-wire multi-conductor cable (if using alarms, relays and/or line-in and line-out audio) is limited to 28-20 AWG range

## Product Overview

The Spectra® Professional IR and 4K Series IP PTZ Outdoor Dome is ideal for wide open spaces applications such as ports, highways, cities, and parking lots. Before installing it, please verify your model and read this guide carefully.

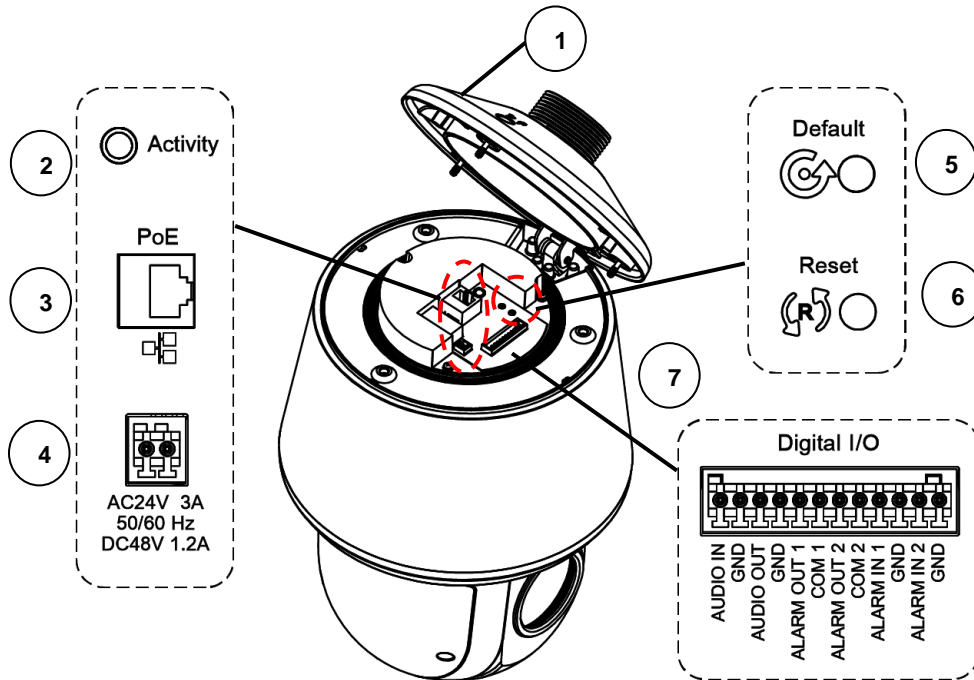


FIGURE 1-1: CAMERA CONNECTIONS AND FEATURES 1/2

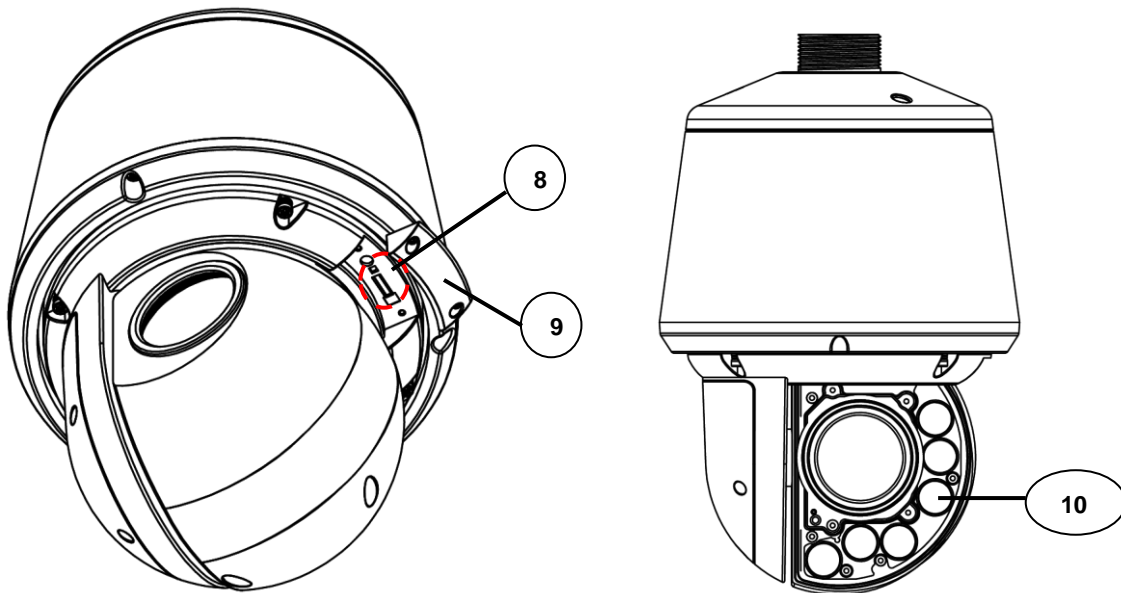


FIGURE 1-2: CAMERA CONNECTIONS AND FEATURES 2/2

1. **Pendant Cap:** Open the pendant cap by loosening the T-20 torx star screws and then connect required items (digital I/O connectors, power terminal, and RJ-45 network port) if necessary. In addition, both the reset and default buttons are embedded here for utilization when needed.

2. **Activity Behaviors:**
  - **Booting:** With a fast flashing green, the LED indicates the camera is currently booting.
  - **Software updating:** With alternate fast/slow flashing green, the LED indicates the camera is updating software.
  - **Booting failure:** With a slower flashing green, the LED indicates the camera failed to boot.
  - **Booting completion:** With the green light off, the LED indicates the camera has completed booting.
3. **RJ-45 Network Port:** Connect the RJ-45 connector to this port for network connection and also allow a PoE BT (Class 7) power sourcing equipment (PSE) to supply power through Ethernet cable.
4. **Power Terminal:** The port is to connect with either external DC 48V or AC 24V power supply. **NOTE: There is no polarity for the power connection.**
5. **Default Button:** Press the button for 5 seconds to restore the camera's settings back to the factory default.
6. **Reset Button:** Press the button for approximately 1 second to reboot the camera.
7. **Digital I/O Connectors:**
  - **Alarm In:** Via "GND" and "AI" ports, connect to external device that can trigger alarm input signals.
  - **Alarm Out:** Via "COM" and "AO" ports, connect to external device to be triggered through alarm output signals.
  - **Audio In:** Via "Au/I" and "GND" ports, connect to external device such as microphone that receives sound for camera.
  - **Audio Out:** Via "Au/O" and "GND" ports, connect to device such as speaker to be triggered through alarm output signals.
8. **Micro SD Card Slot:** The slot is for inserting optional micro SD card (not supplied) for local file storage.
9. **SD Card Cover:** Open the SD card cover by loosening the T-6 torx star screws and then insert micro SD card, if necessary.
10. **IR Board:** The IR LED embedded board for illumination under low-light environment. (The IR board is hidden under the front window assembly)

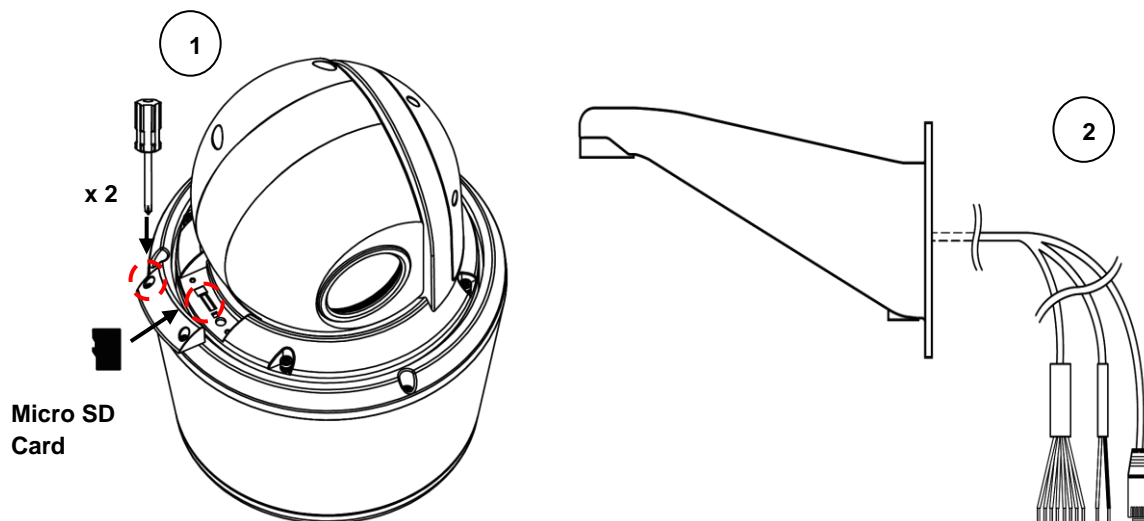
## Installation

You can install the Spectra® Professional IR and 4K Series IP PTZ Outdoor Dome by using the following method.

- Installation using pipe/conduit (not supplied) or a Pelco mount such as IWM/IDM/SWM or PP series (not supplied).

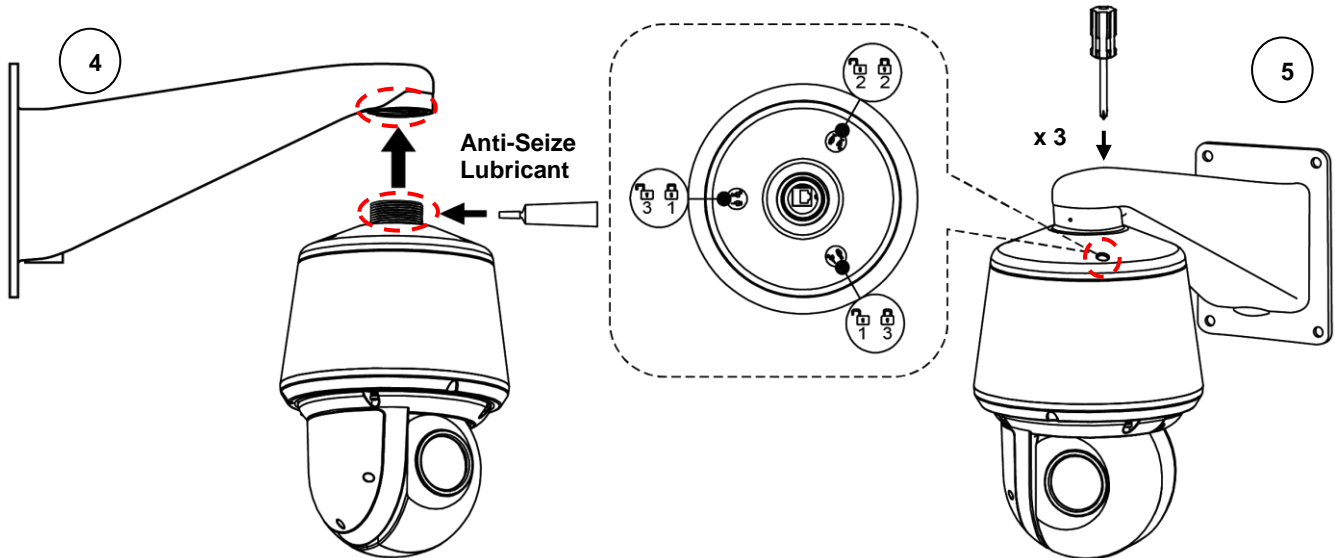
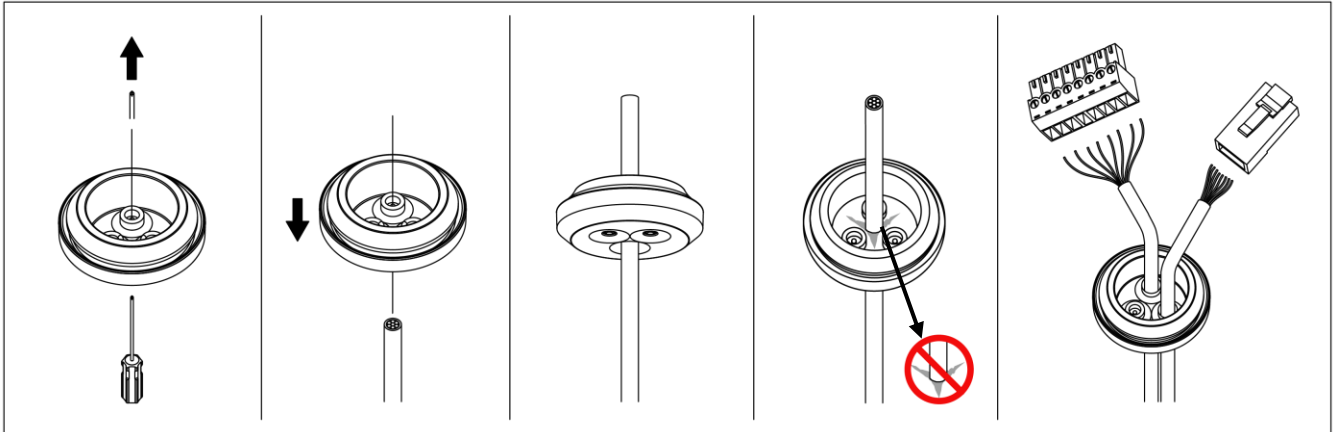
### PELCO MOUNTS

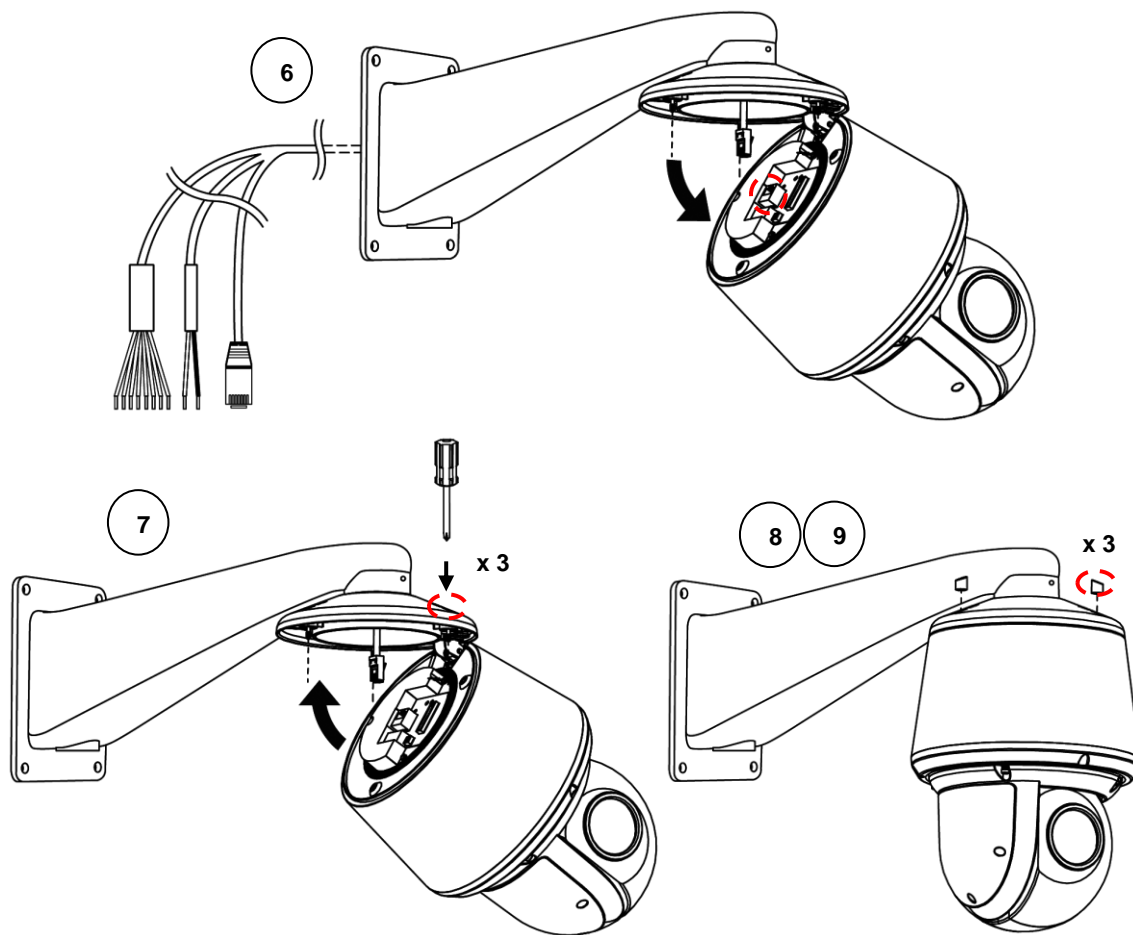
Install the Spectra® Professional IR and 4K Series IP PTZ Outdoor Dome to a pipe/conduit (not supplied) or Pelco mount (IWM series) as shown in the following procedure.





3





1. If necessary, loosen the 2 (T-6) SD card cover screws with a T-6 torx star wrench (supplied), and then remove the SD card cover to insert a micro SD card (not supplied) into the slot. After that, use the T-6 torx star wrench to tighten the 2 (T-6) SD card cover screws and complete insertion. **NOTE: The recommended torque of the screw is 0.3 Nm (Newton meter).**
2. Before mounting the camera, please make sure that the network cable, power cable and digital I/O cables have been passed through a Pelco mount (IWM) series (not supplied). Refer to the instructions supplied with the mount.
3. If using the supplied water proof gland (recommended), puncture a round hole(s) in the gland that is smaller than the diameter of the cable that will be passed through the gland. Feed an unterminated cable thru the hole in the gland. Terminate the cable with the appropriate connector.
4. Apply anti-seize lubricant (supplied) to the camera's pendant cap threads before attaching the camera to the mount. After that, mount the camera on a Pelco mount (IWM) series (not supplied).

**NOTES:**

- a. **Mounts must be sealed to prevent condensation in the camera.**
  - b. **Please install the camera carefully to avoid dropping the camera and injuring the installer.**
  - c. **Do not fully tighten the camera to the mount. Thread the camera onto the mount ensuring the T-20 screws on the top of the camera are accessible.**
5. Loosen the 3 (T-20) pendant cap screws with a T-20 torx star wrench (supplied), and let the camera's body shift downward.

**NOTES:**

- a. **Be careful when letting the camera's body shift downward to avoid it hitting som x 3**

**b. The recommended method of locking and unlocking 3 screws is as follows. Please follow these introductions. Also, the recommended torque of the screw is 2.0 ±0.2 Nm (Newton meter).**

- **Unlocked:** To loosen the pendant cap screws in the counterclockwise direction (Steps 1-2-3).
- **Locked:** To tighten the pendant cap screws in the clockwise direction (Steps 1-2-3).

6. Connect a power cable that supplies AC24V or DC48V power source to the power terminal. Alternatively, plug a RJ-45 connector with attached Ethernet cable into RJ-45 Network port of the camera, and then plug the other end to a power sourcing equipment (PSE). Individually, connect audio in/out and alarm in/out sockets with wires from audio in/out and alarm in/out devices respectively, if required. Complete the related cables connection.

**NOTES:**

**a. The recommended wire size that can be used with 2-pin Power and 12-pin Audio/Alarm connectors is limited to 28-20 AWG range.**

**b. As soon as the camera is powered it will start to rotate and configure pan/tilt/zoom.**

7. After that, close the pendant cap and use the T-20 torx star wrench (supplied) to tighten the 3 (T-20) pendant cap screws. **NOTE: Please pay attention to the locking direction.**
8. Fully tighten the camera to the mount by threading the camera 1 turn past hand tight.
9. Cover the 3 (T-20) pendant cap screws with the 3 rubber caps (supplied) to complete the installation.

**NOTE: For more information about this camera, all resources are available in one location:**

<https://www.pelco.com/spectra-pro-ir>.

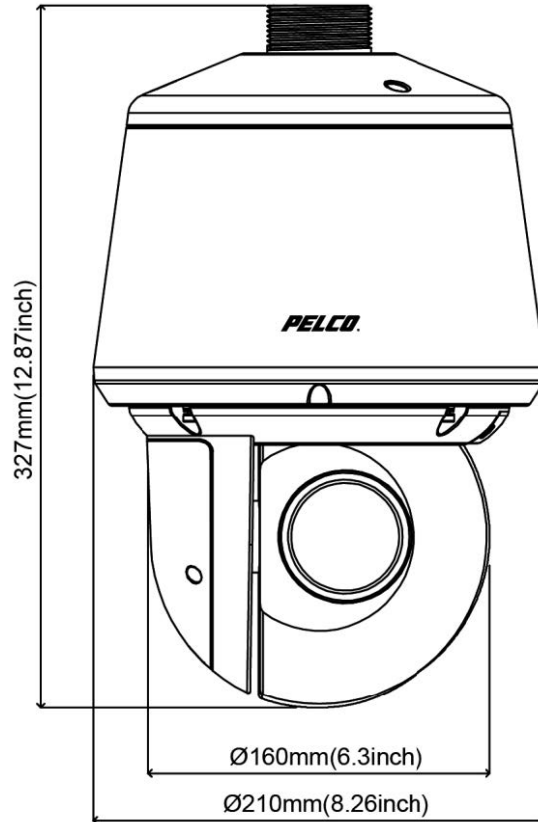
# Pelco Troubleshooting Contact Information

If the instructions provided fail to solve your problem, contact Pelco Product Support at 1-800-289-9100 (USA and Canada) or +1-559-292-1981 (international) for assistance. Be sure to have the serial number available when calling. Do not try to repair the unit yourself. Leave maintenance and repairs to qualified technical personnel only.

## Note for Dimension Drawings



NOTE: VALUES IN PARENTHESES ARE INCHES; ALL OTHERS ARE CENTIMETERS.



This equipment contains electrical or electronic components that must be recycled properly to comply with Directive 2002/96/EC of the European Union -regarding the disposal of waste electrical and electronic equipment (WEEE). Contact your local dealer for procedures for recycling this equipment.

### REVISION HISTORY

Manual #	Date	Comments
C2313M	08/18	Rev.01
C2313M-A	1/19	Added 4K Series to this manual.



**Pelco, Inc.**  
625 W. Alluvial Ave.  
Fresno, CA 93711  
+1 (559) 292-1981 International Phone  
(800) 289-9100 USA & Canada Phone  
(800) 289-9150 USA & Canada Fax  
**Pelco.com**

Pelco, the Pelco logo, and other trademarks associated with Pelco products referred to in this publication are trademarks of Pelco, Inc. or its affiliates. ONVIF and the ONVIF logo are trademarks of ONVIF Inc. All other product names and services are the property of their respective companies. Product specifications and availability are subject to change without notice. ©Copyright 2019, Pelco, Inc. All rights reserved.