

Sarix Professional 4 Series Camera

2 MP

3 MP

5 MP

8 MP

5-YEAR WARRANTY

With security challenges becoming increasingly complex, it's more important than ever to future-proof your site. Enhance your security infrastructure with the cutting-edge Sarix Professional 4 Series camera designed to capture activity in high-definition. A clear understanding of what is happening on-site elicits more informed decisions, faster responses and produces necessary evidence to support any incident requiring further review. Obtain more accurate insights and reduce the risk of missing critical events utilizing a camera that produces impeccable imaging quality.



Features

Crystal Clear Evidence

Produce sharp video footage to enable greater analytic accuracy, so no detail goes unnoticed, with 2, 3, 5 and 8 MP options. The camera provides clear, detailed images, enabling better identification of individuals or incidences.



Low Light Visibility

Security threats are unpredictable. Decrease the chances of missing critical events without compromising image quality by adapting to environments with varying lighting conditions, using True Wide Dynamic Range (WDR) and Adaptive IR technology. Activate IR technology only when needed to optimize energy usage and savings.



Informative Insights

Reduce false alarm fatigue and enable faster responses with added Pelco Smart Analytics, powered by Motorola Solutions. Prevent threats from compromising your site by running on-camera AI analytics to automatically detect and classify both humans and vehicles.



Protect Your Assets

When it comes to security, there's no such thing as being overprotected. Have a piece of mind knowing that the TAA & NDAA-compliant, Sarix Professional 4 Series is equipped with Pelco's industry-leading 5-year warranty and an onboard Trusted Platform Module (TPM) and Secure Boot to enhance cybersecurity and reduce identity theft.



Built For Your Site

Avoid wasting time and resources ripping and replacing your existing infrastructure. The camera is built on an open system (ONVIF Profile S, G, T & M conformant) for straightforward installation and configuration.



Deploy Any Time At Any Place

Available in both dome and bullet variants, choose a solution that works best for your environment. Outdoor models of the camera are IP66/67 and Type 4K rated with an IK10 rating for all models. Rain, sleet or shine, the camera is ready for the challenge.



For more information, visit the [Sarix Professional 4 Series webpage](#).

Specifications

Image Performance		2.0 MP	3.0 MP	5.0 MP	8.0 MP (4K Ultra HD)
Image Sensor		1/2.8" progressive scan CMOS			1/1.8" CMOS
Imaging Area (H × V)		5.57 mm × 3.13 mm 0.219" × 0.123"	5.18 mm × 3.89 mm 0.204" × 0.153"	7.68 mm × 4.32 mm 0.302" × 0.170"	
Aspect Ratio		16:9	4:3	16:9	
Dynamic Range	WDR Off	83 dB			
	WDR On	126 dB	130 dB		
Camera Operating Mode		Full Feature/No Video Analytics		Full Feature/No Video Analytics/High Framerate	
Max Frame Rate		(50 Hz/60 Hz): 50 fps/60 fps		(50 Hz/60 Hz): 25 fps/30 fps	
Streaming Resolutions ¹	Primary Stream	1920x1080, 1440x1080	2048x1536, 2048x1152, 1792x1344	2592x1944, 2240x1680, 2560x1440, 1920x1080	3840x2160, 3200x1800, 2880x2160, 3072x1728, 2560x1920, 1920x1080
	Secondary Stream	1920x1080, 1440x1080, 1280x960, 1280x720, 960x720, 800x600, 768x432, 640x480, 640x360, 512x288, 384x288, 384x216	1760x1320, 1920x1080, 1600x1200, 1280x960, 1280x720, 960x720, 768x432, 640x480, 640x360, 512x384, 512x288, 384x288, 384x216	1600x1200, 1440x1080, 1920x1080, 1280x960, 1280x720, 800x600, 768x432, 640x480, 640x360, 512x384, 512x288, 384x288, 368x264, 384x216	1920x1440, 1920x1080, 1600x1200, 1280x960, 1280x720, 800x600, 768x432, 640x480, 640x360, 512x384, 512x288, 384x288
	Tertiary Stream	640x360, 512x384, 512x288, 384x216	640x480, 640x360, 512x384, 384x288, 384x216	640x360, 512x384, 512x288, 384x288, 368x264, 384x216	640x360, 512x384
Bandwidth Management		Pelco Smart Compression technology; Idle scene mode			
3D Noise Reduction Filter		Supported			
Signal-to-Noise Ratio (SNR)		> 50 dB			

¹ Available stream options may vary based on the combination of resolution and frame-rates selected for the individual streams, as well as the camera operating mode.

Lens and IR Illumination (Dome)		2.0 MP	3.0 MP	5.0 MP	8.0 MP (4K Ultra HD)
IR Illumination Max Distance (high power 850 nm LEDs)	Indoor Dome	30 m			N/A
	Environmental Dome	40 m			
Minimum Illumination (at 33 ms shutter speed)		With IR: 0 lux in monochrome mode; Without IR: 0.01 lux in color mode; 0.005 lux in monochrome mode	With IR: 0 lux in monochrome mode; Without IR: 0.04 lux in color mode; 0.02 lux in monochrome mode		With IR: 0 lux in monochrome mode; Without IR: 0.02 lux in color mode; 0.01 lux in monochrome mode
Horizontal Angle of View		101° - 31°	95° - 28°		103° - 47°
Vertical Angle of View		53° - 17°	69° - 21°		54° - 26°
Max Aperture		F1.6			F1.3
Lens Control		Remote Zoom and Focus, Autofocus, IR Cut Filter			

Lens and IR Illumination (Bullet)		2.0 MP	3.0 MP	5.0 MP	8.0 MP (4K Ultra HD)
IR Illumination Max Distance (high power 850 nm LEDs)	3.4-10.5 mm	50 m			N/A
	10.9-29 mm	60 m			N/A
	4.8-40.8 mm	80 m			N/A
	4.4 - 9.3 mm	N/A			50m
Minimum Illumination (at 33 ms shutter speed)	3.4-10.5 mm	With IR: 0 lux in monochrome mode; Without IR: 0.01 lux in color mode; 0.005 lux in monochrome mode	With IR: 0 lux in monochrome mode; Without IR: 0.04 lux in color mode; 0.02 lux in monochrome mode		N/A
	10.9-29 mm	N/A			
	4.8-40.8 mm	N/A			
	4.4 - 9.3 mm	N/A			With IR: 0 lux in monochrome mode; Without IR: 0.02 lux in color mode; 0.01 lux in monochrome mode
Horizontal Angle of View	3.4-10.5 mm	101° - 31°	95° - 28°		N/A
	10.9-29 mm	N/A	28° - 10°		N/A
	4.8-40.8 mm	N/A	57° - 7°		N/A
	4.4 - 9.3 mm	N/A			103° - 47°
Vertical Angle of View	3.4-10.5 mm	53° - 17°	69° - 21°		N/A
	10.9-29 mm	N/A	21° - 7°		N/A
	4.8-40.8 mm	N/A	44° - 5°		N/A
	4.4 - 9.3 mm	N/A			54° - 26°
Max Aperture	3.4-10.5 mm	F1.6			N/A
	10.9-29 mm	F1.7			N/A
	4.8-40.8 mm	F1.7			N/A
	4.4 - 9.3 mm	N/A			F1.3
Lens Control		Remote Zoom and Focus, Autofocus, IR Cut Filter			

Image Control	
Image Compression Method	H.264, H.265, Motion JPEG, Pelco Smart Compression
Streaming	Multi-stream H.264, Multi-stream H.265, Motion JPEG
Motion Detection	Pixel motion: Selectable sensitivity and threshold. Classified object detection
Electronic Shutter Control	Automatic, Manual (1/7.5 to 1/30000 sec)
Day/Night Control	Automatic, Manual
Flicker Control	50 Hz, 60 Hz
Iris Control	P-Iris
White Balance	Automatic, Manual
Backlight Compensation	Adjustable
Image Rotation	0°, 90°, 180°, 270° including Corridor Mode
Privacy Zones	Up to 64 zones

Network	
Network	100BASE-TX
Cabling Type	CAT5
Network	RJ45 Connector
ONVIF	ONVIF® compliance Profile S, Profile T, Profile G, and Profile M (www.onvif.org)
Security	Password protection, HTTPS encryption, digest authentication, WS authentication, user access log, 802.1x port based authentication, FIPS 140-2 L1 (with optional camera license), onboard FIPS 140-2 L3 certified TPM, Secure Boot ¹ , Signed and encrypted firmware
Protocols	IPv6, IPv4, HTTP, HTTPS, SOAP, DNS, NTP, RTSP, RTCP, RTP, TCP, UDP, IGMPv3, ICMP, DHCP, Zeroconf, HSTS
Streaming Protocols	RTP/UDP, RTP/UDP multicast, RTP/RTSP/TCP, RTP/RTSP/HTTP/TCP, RTP/RTSP/HTTPS/TCP, HTTP
Device Management Protocols	SNMP v2c, SNMP v3

¹Secure Boot is available on models manufactured after May 2023.

Peripherals	
Onboard Storage	microSD/microSDHC/microSDXC slot - video speed class card required. Class V10 or better recommended. 1.5 TB card tested.
USB Port	USB 2.0

Auxiliary I/O	
Audio Compression Method	G.711 PCM 8 kHz, Opus
Audio Input/Output	Line level I/O
External I/O Terminals	Alarm In, Alarm Out
Microphone (Indoor Dome)	Optional Microphone accessory sold separately for Indoor Dome Camera only

Mechanical (Dome)	Surface Mount	In-Ceiling Mount	Pendant Mount
Dimensions	D 156 mm × H 116 mm; D 6.1" × H 4.6"	D 174 mm × H 165 mm; D 6.8" × H 6.5"	D 155 mm × H 169 mm; D 6.1" × H 6.7"
Weight	0.81 kg	0.80 kg	1.07 kg
Max. Ceiling Thickness	N/A	25 mm (1.0")	N/A
Dome Bubble	Polycarbonate		
Body	Polycarbonate		
Housing	Polycarbonate		
Finish	Plastic, injection molded, Pantone 427C		
Adjustment Range	360° pan, 30°-95° tilt (recommended), 8°-95° tilt (maximum), ±180° azimuth		

Mechanical (Bullet)		3.4-10.5 mm	10.9-29 mm	4.4 - 9.3 mm	4.8-40.8 mm
Dimensions (L x W x H)	Camera with junction box	294 mm × 126 mm × 104 mm; 11.6" × 5.0" × 4.1"		312 mm × 126 mm × 104 mm; 12.3" × 5.0" × 4.1"	
Weight	Camera	1.31 kg		1.35 kg	
	Camera with junction box	1.78 kg		1.82 kg	
Body	Aluminum				
Housing	Aluminum				
Finish	Powder coat, close to Pantone 427C				
Adjustment Range	±175° pan, ±90° tilt, ±175° azimuth				

Electrical		
Power Source	PoE: IEEE 802.3af Class 3 compliant, 12VDC Aux	
IR Illuminator Behaviour	Dome	IR illuminator will turn off if the temperature is 60°C (140°F) or higher. The illuminator will operate at 50% power if the temperature is between 40°C (104°F) and 52 °C (117°F). Hysteresis: 2°C (3.6°F).
	Bullet	IR illuminator will turn off if the temperature is 60°C (140°F) or higher.
RTC Battery Backup	3V manganese lithium	
PoE	Indoor Dome	10 W max (8 W with no IR or IR disabled)
	Environmental Dome	13 W max (8 W with no IR or IR disabled)
	Bullet	13 W max
Memory	1GB RAM, 512MB Flash	

Environmental	Indoor Dome	Environmental Dome	Bullet
Operating Temperature	-10°C to +60°C (14°F to 140°F)	-40°C to +60°C (-40°F to 140°F)	-40°C to +60°C (-40°F to 140°F)
Storage Temperature	-10°C to +70°C (14°F to 158°F)		
Absolute Maximum Temperature	74°C (165°F) per NEMA TS2 (Temp.) para 2.2.7.2 - 2.2.7.7		
Humidity	0 - 95% non-condensing		

Certifications	Indoor Dome	Environmental Dome	Bullet
Certifications/Approvals	UL, cUL, CE, UKCA, ROHS, RCM, NOM, KC, BIS		
Safety	UL/CSA/EN/IEC 62368-1, IEC 62471		
Environmental	IEC/EN 62262 Impact (IK 10), IEC 60529 IP52 rating	IEC/EN 62262 (IK 10), IEC 60529 IP66, IP67 rating, Type 4X, IEC 60068-2-1, IEC 60068-2-2, IEC 60068-2-6, IEC 60068-2-14, IEC 60068-2-27	IEC/EN 62262 (IK 10), IEC 60529 IP66, IP67 rating, Type 4X, IEC 60068-2-1, IEC 60068-2-2, IEC 60068-2-6, IEC 60068-2-14, IEC 60068-2-27
Electromagnetic Emissions	FCC Part 15 Subpart B (Class B), IC ICES-003 (Class B), EN 55032 (Class B), EN 61000-6-3, EN 61000-3-2, EN 61000-3-3		
Electromagnetic Immunity	EN 55035, EN 61000-6-1, EN 50130-4, EN 50121-4		
Warranty	5-year warranty		

Analytics Specifications

Supported Analytics Events	
Objects in Area	The event is triggered when the selected object type moves into the region of interest.
Object Loitering	The event is triggered when the selected object type moves into the region of interest and then stays for an extended amount of time.
Objects Crossing Beam	The event is triggered when the specified number of objects have crossed the directional beam that is configured over the camera's field of view. The beam can be unidirectional or bidirectional.
Object Appears or Enters Area	The event is triggered by each object that enters the region of interest. This event can be used to count objects.
Object Not Present in Area	The event is triggered when no objects are present in the region of interest.
Objects Enter Area	The event is triggered when the specified number of objects have entered the region of interest.
Objects Leave Area	The event is triggered when the specified number of objects have left the region of interest.
Object Stops in Area	The event is triggered when an object moves into a region of interest and then stops moving for the specified threshold time.
Direction Violated	The event is triggered when an object moves in the prohibited direction of travel.
Tamper Detection	The event is triggered when the scene unexpectedly changes.

Supported Classified Object Types	
Object Types in Outdoor Mode	Person and Vehicle
Object Types in Indoor Mode	Person

Analytics capabilities, including detection range, may vary by camera line. Please consult the Pelco Smart Analytics Design Guide for details specific to the Sarix Professional 4 Series.

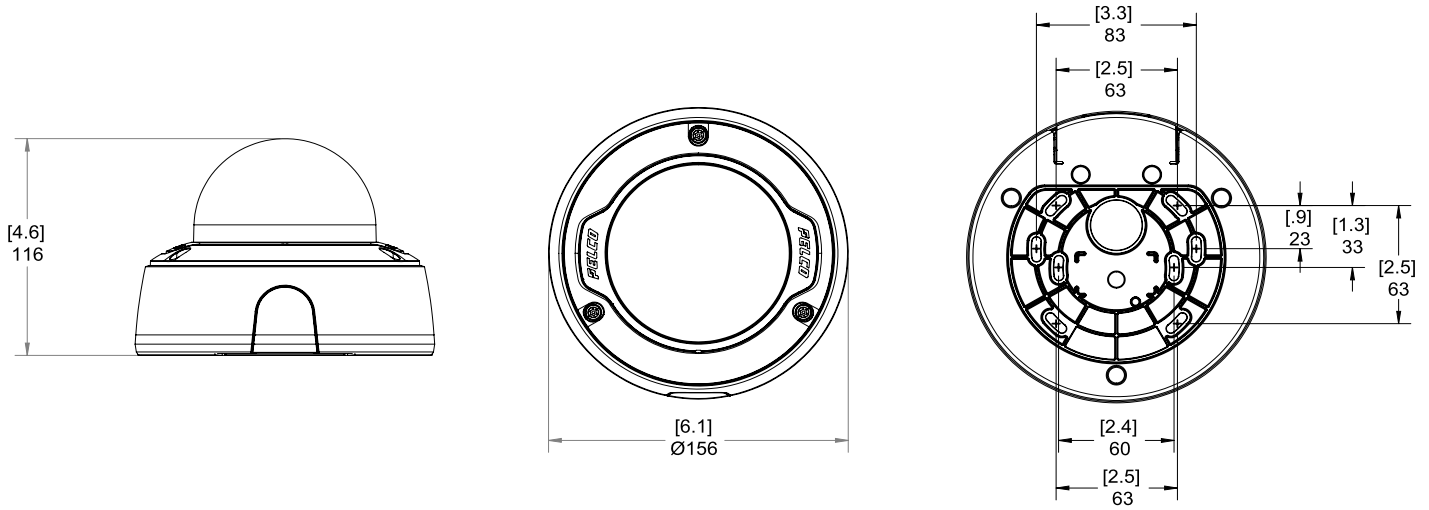
Pelco Elevate Supported Features	
Image Health	Detects incremental changes in the cameras view, such as position shifts or obstructions. Notifies users through ONVIF conformant events and summarized email reports.

Outline Dimensions

[X.X]	INCHES
X	MM

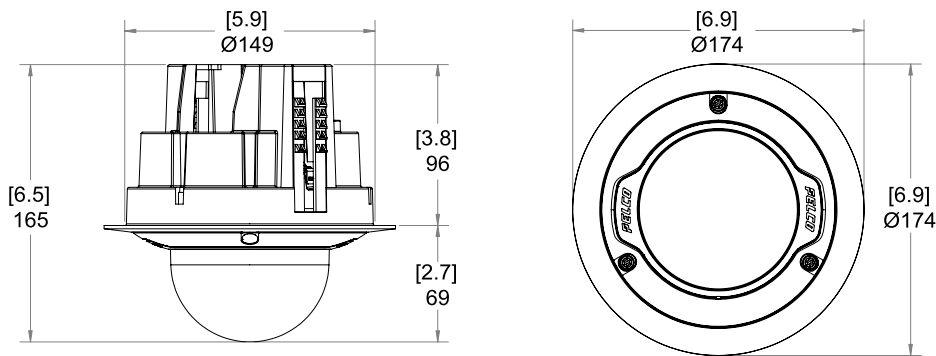
Dome Camera with Surface Mount

(SRXP4 Dome Camera + Provided Surface Mount)



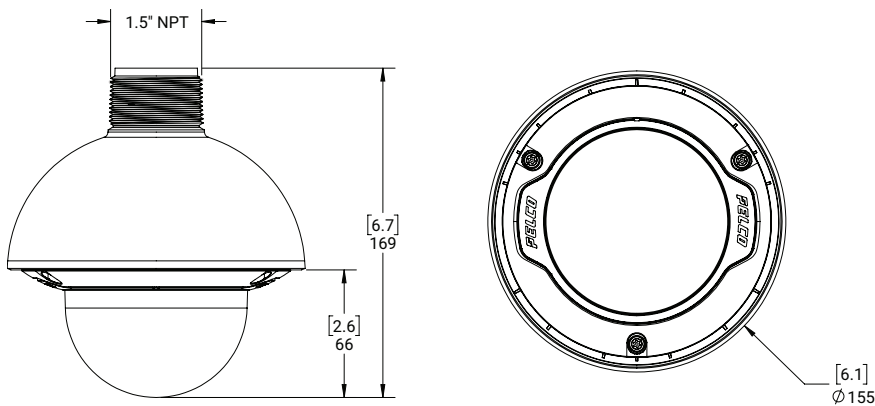
Dome Camera with In-ceiling Mount

(SRXP4 Dome Camera + SLSPCIL-1001)



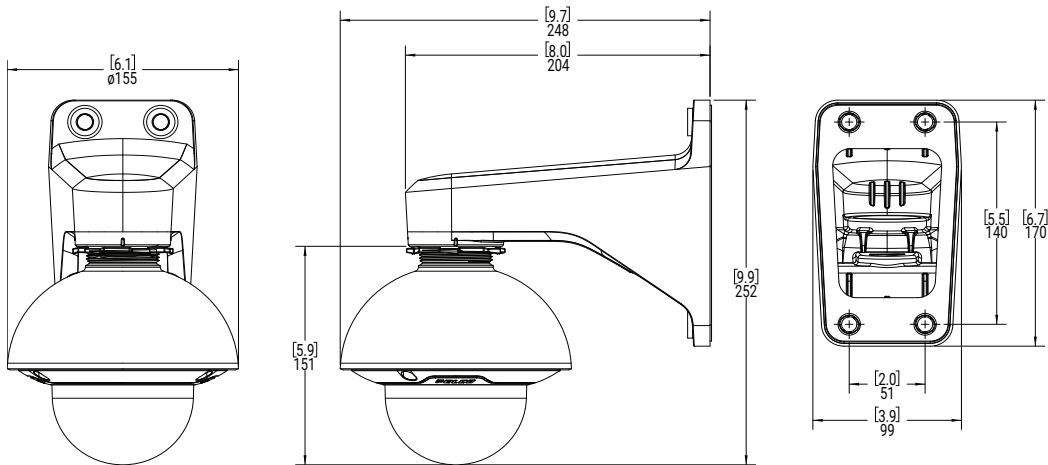
Dome Camera with NPT Adapter

(SRXP4 Dome Camera + SRXP4-PM-1E)



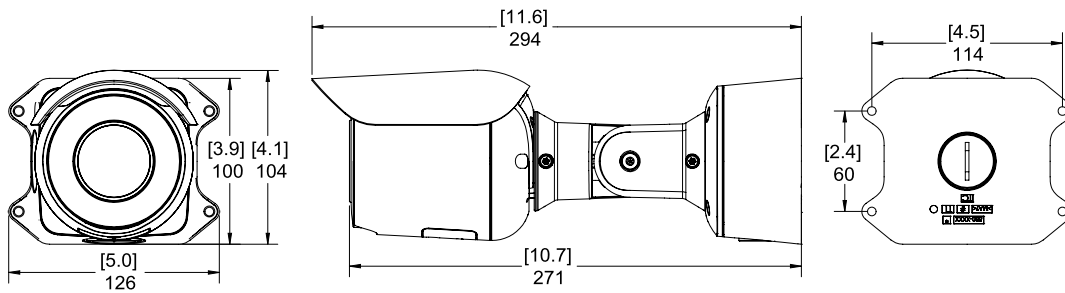
Dome Camera with NPT Adapter and Pendant Wall Mount

(SRXP4 Dome Camera + SRXP4-PM-1E + WLMT-1021)

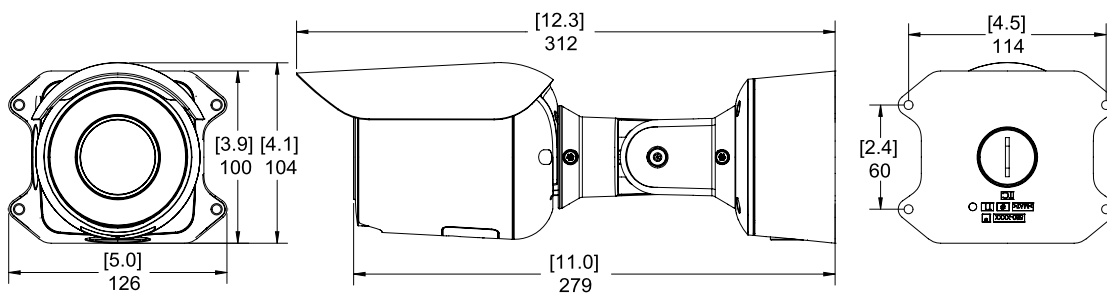


Bullet Camera

(3.4-10.5 mm & 10.9-29 mm)

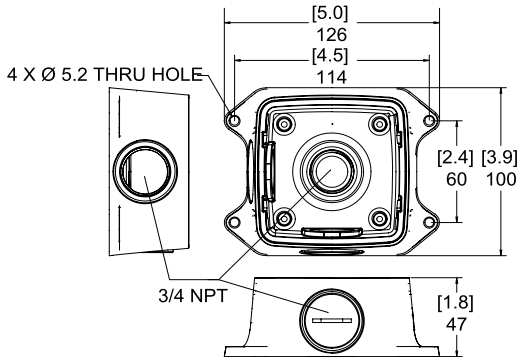


(4.8-40.8 mm)



Bullet Junction Box

(Provided With Camera)



Ordering Information

Bullet Camera

Model Number	MP	WDR	Analytics	Lens	IR	IP66/IP67, Type4x	Smart Compression	SureVision Technology
SRXP4-2V10-EBT-IR	2.0	✓	✓	3.4-10.5 mm	✓	✓	✓	✓
SRXP4-3V10-EBT-IR	3.0	✓	✓	3.4-10.5 mm	✓	✓	✓	✓
SRXP4-3V29-EBT-IR	3.0	✓	✓	10.9-29 mm	✓	✓	✓	✓
SRXP4-3V40-EBT-IR	3.0	✓	✓	4.8-40.8 mm	✓	✓	✓	✓
SRXP4-5V10-EBT-IR	5.0	✓	✓	3.4-10.5 mm	✓	✓	✓	✓
SRXP4-5V29-EBT-IR	5.0	✓	✓	10.9-29 mm	✓	✓	✓	✓
SRXP4-5V40-EBT-IR	5.0	✓	✓	4.8-40.8 mm	✓	✓	✓	✓
SRXP4-8V9-EBT-IR	8.0	✓	✓	4.4-9.3 mm	✓	✓	✓	✓

Dome Camera

Model Number	MP	WDR	Analytics	Lens	IR	IP66/IP67, Type4x	Smart Compression	SureVision Technology
SRXP4-2V10-IMD	2.0	✓	✓	3.4-10.5 mm			✓	✓
SRXP4-2V10-IMD-IR	2.0	✓	✓	3.4-10.5 mm	✓		✓	✓
SRXP4-2V10-EMD	2.0	✓	✓	3.4-10.5 mm		✓	✓	✓
SRXP4-2V10-EMD-IR	2.0	✓	✓	3.4-10.5 mm	✓	✓	✓	✓
SRXP4-3V10-IMD	3.0	✓	✓	3.4-10.5 mm			✓	✓
SRXP4-3V10-IMD-IR	3.0	✓	✓	3.4-10.5 mm	✓		✓	✓
SRXP4-3V10-EMD	3.0	✓	✓	3.4-10.5 mm		✓	✓	✓
SRXP4-3V10-EMD-IR	3.0	✓	✓	3.4-10.5 mm	✓	✓	✓	✓
SRXP4-5V10-IMD	5.0	✓	✓	3.4-10.5 mm			✓	✓
SRXP4-5V10-IMD-IR	5.0	✓	✓	3.4-10.5 mm	✓		✓	✓
SRXP4-5V10-EMD	5.0	✓	✓	3.4-10.5 mm		✓	✓	✓
SRXP4-5V10-EMD-IR	5.0	✓	✓	3.4-10.5 mm	✓	✓	✓	✓
SRXP4-8V9-EMD-IR	8.0	✓	✓	4.4-9.3 mm	✓	✓	✓	✓

Accessories

Part Number	Description
WLMT-1021	Wall Mount Arm for 1.5" NPT Pendant
USB-AC56-NA-MSI	USB WiFi Adapter Install Kit (North America)
USB-AC56-EU-MSI	USB WiFi Adapter Install Kit (Europe)
SLSPCIL-1001	In-ceiling mounting adapter for Sarix Pro 4 Dome Camera
SRXP4-PM-1E	Pendant NPT adapter for Sarix Pro 4 Dome Camera
DCLPNL-1001	Metal ceiling panel for suspended ceiling installations
SRXP4-DMSLD	Weathershield for Sarix Pro 4 Dome Camera
ACMICR-1001	Microphone accessory for Indoor Sarix Pro 4 Dome Camera
SRXP4-LD-1E	Clear lower dome for Sarix Pro 4 Environmental Dome Camera
SRXP4-LD-0E	Smoked lower dome for Sarix Pro 4 Environmental Dome Camera
SRXP4-LD-1I	Clear lower dome for Sarix Pro 4 Indoor Dome Camera

Part Number	Description
SRXP4-LD-0I	Smoked lower dome for Sarix Pro 4 Indoor Dome Camera
CNCVR-1001	Adapter 3/4 inch conduit for Sarix Pro 4 Dome Camera, 5-pack
CAM-FIPS	Camera license to enable FIPS Level 1 cryptographic mode
CRNMT-1001	Corner Mount Adapter for WLMT-1021 and Pro 4 Bullet Camera
PLMT-1001	Pole Mount Adapter for WLMT-1021 and Pro 4 Bullet Camera

Support

Learn more and find additional documentation at pelco.com or email support@pelco.com for specific product support.



May 2024 | C5063S | Rev 10

© 2024, Motorola Solutions, Inc. All rights reserved. MOTOROLA, MOTO, MOTOROLA SOLUTIONS, and the Stylized M Logo are trademarks or registered trademarks of Motorola Trademark Holdings, LLC and are used under license. Pelco, the Pelco logo, and other trademarks associated with Pelco products referred to in this publication are trademarks of Pelco, Inc. or its affiliates. All other product names and services are the property of their respective companies. Product specifications and availability are subject to change without notice.