

# Spectra Enhanced 8 PTZ Camera

2 MP

4 MP

Have you ever found yourself overwhelmed by the sheer size of the area you are responsible for protecting? Regain control and feel assured knowing the Spectra Enhanced 8 Pan, Tilt, and Zoom (PTZ) is that extra set of eyes on scene you've been longing for. Apprehend and answer suspicious events faster with automated insights that notify you when a response is required. Put your trust in advanced and secured technology, that provides a 360-degree view of your property, to simplify your job and protect those you serve.



## Features



### Round the Clock Remote Access

Maintain continuous, real-time observation from the comfort of your control center. Continuously track suspicious activity throughout the frame with the ability to remotely pan, tilt and zoom the camera 360-degrees and up to 30x away.



### Real-Time Precise Monitoring

Effortlessly monitor moving objects using auto tracking<sup>1</sup> capabilities and direct drive technology.



### Secured Integration

Confidently invest in a solution that not only compliments your existing security ecosystem but protects both your physical and network security. Seamlessly connect with your third-party VMS<sup>2</sup>, while resisting data breaches with FIPs-140-2 so your most sensitive and classified intel remains secure.



### Automated Insights

Gone are the days waiting and watching for suspicious activity to unfold. Equipped with Smart Analytics, powered by Motorola Solutions, the Spectra Enhanced 8 notifies you when the camera detects human and vehicle events.



### Greater Coverage, Lower Cost

Achieve greater coverage using fewer cameras. Decrease installation and maintenance costs, while eliminating blind spots and the chances of missed events.



### Protection Guaranteed

Stay secured for longer with Pelco's industry-leading five-year warranty. If the camera is proven defective in material or quality, we will repair or replace it.

<sup>1</sup>Auto Tracking is based on home position.

<sup>2</sup>ONVIF S, G, T and M Conformant.

# Specifications

Image Performance	2 MP	4 MP
Image Sensor	1/1.8" progressive scan CMOS	
Active Pixels (H x V)	1920 (H) x 1080 (V)	2560 (H) x 1440 (V)
Aspect Ratio	16:9	
Dynamic Range	80 dB	
Dynamic Range (WDR On, Measured According to IEC 62676 Part 5)	Up to 122 dB (dual exposure, 30 fps)	
Minimum Illumination	0.1 lux in color mode 0.06 lux in mono mode	
Camera Operating Mode	Full Feature / No Video Analytics / High Framerate	
Max Frame Rate	(50 Hz/60 Hz): 50 fps/60 fps	(50 Hz/60 Hz): 25 fps/30 fps
Streaming Resolutions: Primary (H x V)	1920 (H) x 1080 (V)	2560 (H) x 1440 (V)
Streaming Resolutions: Secondary (H x V)	1280 x 720; 768 x 432; 640 x 360; 512 x 288	1920 x 1080; 1280 x 720; 768 x 432; 640 x 360; 512 x 288
Streaming Resolutions: Tertiary (H x V)	1280 x 720; 768 x 432; 640 x 360; 512 x 288; 384 x 216	1920 x 1080; 1280 x 720; 768 x 432; 640 x 360; 512 x 288; 384 x 216
Streaming Resolutions: Quaternary (H x V)	640 x 360; 512 x 288	
Bandwidth Management	Smart Compression	

Lens	2 MP	4 MP
Lens	6.5 mm to 162.5 mm, F/1.6 - F/4.8	
Angle of View (Horizontal x Vertical), Wide	58.1 x 34.8	
Angle of View (Horizontal x Vertical), Tele	2.3 x 1.4	
Zoom	30X Enhanced Optical	
Lens Control	Remote Zoom and Focus, Autofocus, IR Cut Filter, Auto Iris	

Image Control	2 MP	4 MP
Image Compression Method	H.264, H.265, Motion JPEG, Pelco Smart Compression	
Streaming	Multi-stream (four streams), H.264, Multi-stream H.265, Motion JPEG	
Electronic Shutter Control	Automatic, Manual (1/1 to 1/10,000 sec)	
Day/Night Control	Automatic, Manual	
Flicker Control	ON/OFF (Automatically Adjusts for 50/60 Hz)	
Iris Control	Automatic, Manual	
White Balance	Automatic, Manual	
Backlight Compensation	ON/OFF	
Privacy Zones	Up to 64 Zones	
Digital Zoom	12x	
Electronic Image Stabilization	Yes	
Digital Defog	Yes	
P/T Presets	300 configurable	
P/T Tours	100 configurable	
3D Noise Reduction Filter	Yes	

Network	
Network	100BASE-TX, 1000BASE-T with Auto MDI/MDI-X speed
Cabling Type	CAT5e minimum
Connector	RJ-45
ONVIF	ONVIF compliance, Profile S, Profile T, Profile G, and Profile M (www.onvif.org)
Security	Password protection, HTTPS encryption, digest authentication, WS authentication, user access log, 802.1x port based authentication, FIPS 140-2 L1 (with optional camera license), onboard FIPS 140-2 L3 certified TPM, signed and encrypted firmware
Protocol	IPv6, IPv4, HTTP, HTTPS, SOAP, DNS, NTP, RTSP, RTCP, RTP, TCP, UDP, IGMP, ICMP, DHCP, Zeroconf, HSTS, NTCIP
Streaming Protocols	RTP/UDP, RTP/UDP multicast, RTP/RTSP/TCP, RTP/RTSP/HTTP/TCP, RTP/RTSP/HTTPS/TCP, HTTP, SRTP
Device Management Protocols	SNMP v2c, SNMP v3
Secure Boot	Yes

Peripherals	
Onboard Storage	2 × microSD/microSDHC/microSDXC slots - video speed class card required. Class V10 or better recommended.

Auxiliary I/O	
Audio Input/Output	Full Duplex Line level input and output
Audio Compression Method	G.711 PCM 8 kHz, Opus
External I/O Terminals	3x Alarm In (3.5VDC/3.5mA MAX), 1x NO Relay Out (32VDC/150mA MAX), 1x Digital Out (13VDC/140mA MAX), 1 x 12VDC source (11~13VDC/140 mA MAX)

Mechanical	In-Ceiling	Pendant Mount
Dimensions (LxWxH), Camera Only (In Shipping Box)	263 mm × 225 mm x 225 mm (280 mm x 267 mm x 551 mm); 10.4 in × 8.8 in x 8.8 in (11 in x 10.5 in x 21.7 in)	302 mm × 242 mm x 242 mm (280 mm x 267 mm x 551 mm); 11.9 in × 9.5 in x 9.5 in (11 in x 10.5 in x 21.7 in)
Weight, Camera Only (In Shipping Box)	3.45 kg (4.90 kg); 7.60 lb. (10.78 lb.)	4.15 kg (5.60 kg); 9.13 lb. (12.31 lb.)
Maximum Ceiling Thickness	1.75" (44.5 mm)	N/A
Dome Bubble	Polycarbonate	
Body	Polycarbonate and aluminum	
Housing	Recessed mount	Pendant mount
Finish	Plastic injection mold close to RAL9002 and Black; Powdercoat Gray, Sand Grain Texture with Satin Sheen	
Pan Range	360° continuous	
Tilt Range	95°	
Pan Speed	0.05-500°/sec w/IEEE 802.3at Type 2, Class 4 0.05-750°/sec w/IEEE 802.3bt Type 3, Class 6 0.05-900°/sec w/IEEE 802.3bt Type 4, Class 8	
Tilt Speed	0.05-160°/sec w/IEEE 802.3at Type 2, Class 4 0.05-250°/sec w/IEEE 802.3bt Type 3, Class 6 0.05-300°/sec w/IEEE 802.3bt Type 4, Class 8	
Preset Accuracy	0.1°	

Electrical	In-Ceiling	Pendant Mount
Power Source, PoE	IEEE 802.3 at Type 2, Class 4 compliant	IEEE 802.3at Type 2, Class 4 compliant* IEEE802.3bt Type 3, Class 6 compliant* IEEE802.3bt Type 4, Class 8 compliant*
Power Consumption	25W Maximum	70W Maximum
Power Source, Aux	Aux 24 VDC/VAC +/- 10%	

Electrical	In-Ceiling	Pendant Mount
AUX Power Consumption	35W (DC source), 55VA (AC source) Maximum	70W (DC source), 85VA (AC source) Maximum
RTC Backup Battery	3V manganese lithium	
Auxillary Power Connector	2-Pin Screw terminal removable plug	
Memory	4GB, RAM, 4GB Flash	
Redundant Power	Seamless failover between PoE and Aux and back without interrupt in camera operation	

\*Using anything less than a Type 4, Class 8 PSE will result in reduced environmental and pan/tilt speed specifications.

Environmental	In-Ceiling	Pendant Mount
Operating Temperature	-10 °C to +50 °C (14 °F to 122 °F)	-10 °C to +60 °C (14 °F to 140 °F), w/ IEEE 802.3at Type 2, Class 4 -40 °C to +60 °C (-40 °F to 140 °F), w/ IEEE802.3bt Type 3, Class 6 -51 °C to +60 °C (-59.8 °F to 140 °F), w/ IEEE802.3bt Type 4, Class 8
Boot Temperature*	-10 °C to +50 °C (14 °F to 122 °F)	-10 °C to +60 °C (14 °F to 140 °F), w/ IEEE 802.3at Type 2, Class 4 -25 °C to +60 °C (-13 °F to 140 °F), w/ IEEE802.3bt Type 3, Class 6 -40 °C to +60 °C (-40 °F to 140 °F), w/ IEEE802.3bt Type 4, Class 8
Absolute Maximum Temperature	74 °C (165 °F) per NEMA TS2 (Temp.) para 2.2.7.2 - 2.2.7.7	
Storage Temperature	-10 °C to +70 °C (14 °F to 158 °F)	
Operating Humidity	10 - 90% non-condensing	10 - 100%

\*Discovery/Streaming expected within 5 minutes, Full Operation expected within 60 minutes.

Certifications	In-Ceiling	Pendant Mount
Certifications/Approvals	UL, cUL, CE, ROHS, RCM, UKCA, NOM, KC, BIS	
Safety Standards	UL 62368-1, CSA 62368-1, IEC/EN 62368-1	
	UL 2043 (Plenum)	N/A
Environmental Standards/Ratings	IEC/EN 62262 Impact IK10 (Enclosure), IK09 (Bubble)	IEC 60529 IP66, IP67 rating IEC/EN 62262 Impact IK10 (Enclosure), IK09 (Bubble) IEC/EN 60068-2-6 Product Vibration IEC/EN 60068-2-27 Product Shock Type 4X
Electromagnetic Emissions Standards	FCC Part 15 Subpart B (Class A) ICES-003 (Class A) EN 55032 (Class A) EN IEC 61000-6-8 (Class A) EN 61000-3-2 EN 61000-3-3	
Electromagnetic Immunity Standards	EN 55035 EN 61000-6-1 EN 61000-6-2 EN 50121-4 EN 50130-4	
NEMA TS2	N/A	NEMA TS2 paragraph 2.2.7-2.2.9
Warranty	Limited 5 Year Warranty	

Supported Analytics Events	
Objects in Area	The event is triggered when the selected object type moves into the region of interest.
Object Loitering	The event is triggered when the selected object type moves into the region of interest and then stays for an extended amount of time.
Objects Crossing Beam	The event is triggered when the specified number of objects have crossed the directional beam that is configured over the camera's field of view. The beam can be unidirectional or bidirectional.
Object Appears or Enters Area	The event is triggered by each object that enters the region of interest. This event can be used to count objects.

## Supported Analytics Events

Object Not Present in Area	The event is triggered when no objects are present in the region of interest.
Objects Enter Area	The event is triggered when the specified number of objects have entered the region of interest.
Objects Leave Area	The event is triggered when the specified number of objects have left the region of interest.
Object Stops in Area	The event is triggered when an object moves into a region of interest and then stops moving for the specified threshold time.
Direction Violated	The event is triggered when an object moves in the prohibited direction of travel.
Smart Motion Rule	Events are sent for person and vehicle present, against default-unchangeable parameters, but can be searched by VMS.
Tamper Detection	The event is triggered when the scene unexpectedly changes.
Motion Detection	Pixel motion: Selectable sensitivity and threshold. Classified object detection.

## Supported Classified Object Types

Object Types in Outdoor Mode	Vehicle, sub-types: Car, Truck, Bicycle, Motorcycle, Bus Person
Object Types in Indoor Mode	Person

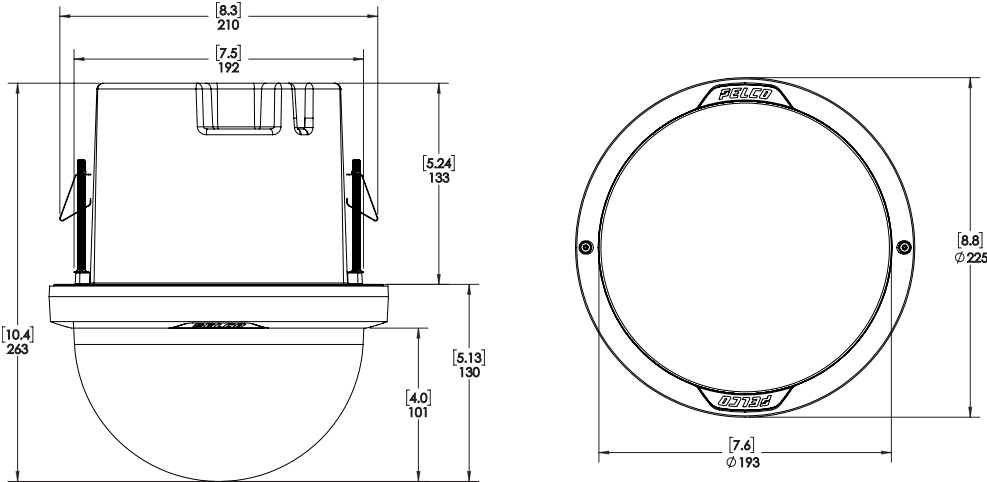
## Video Management System (VMS) Integration

Open System	ONVIF Profile S, G, T and M compliance allows for easy integration with existing ONVIF infrastructures and interoperable with video management systems.
-------------	---

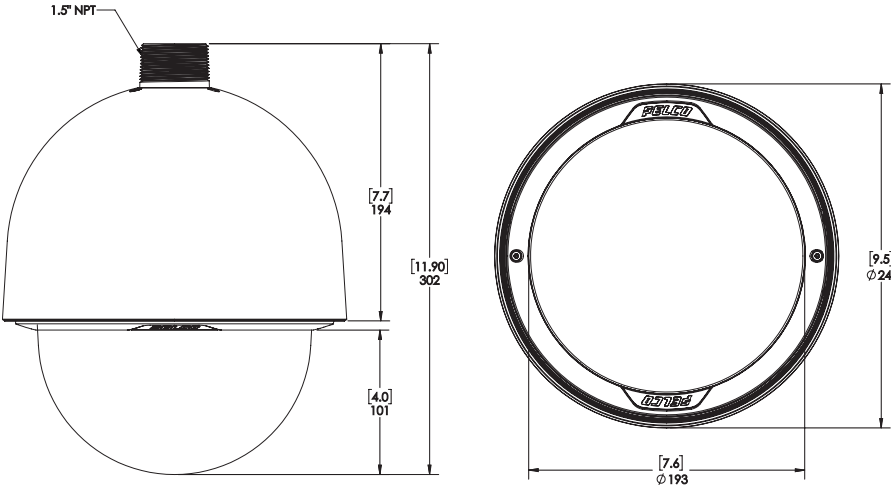
# Outline Dimensions

### In-Ceiling PTZ Dome Camera

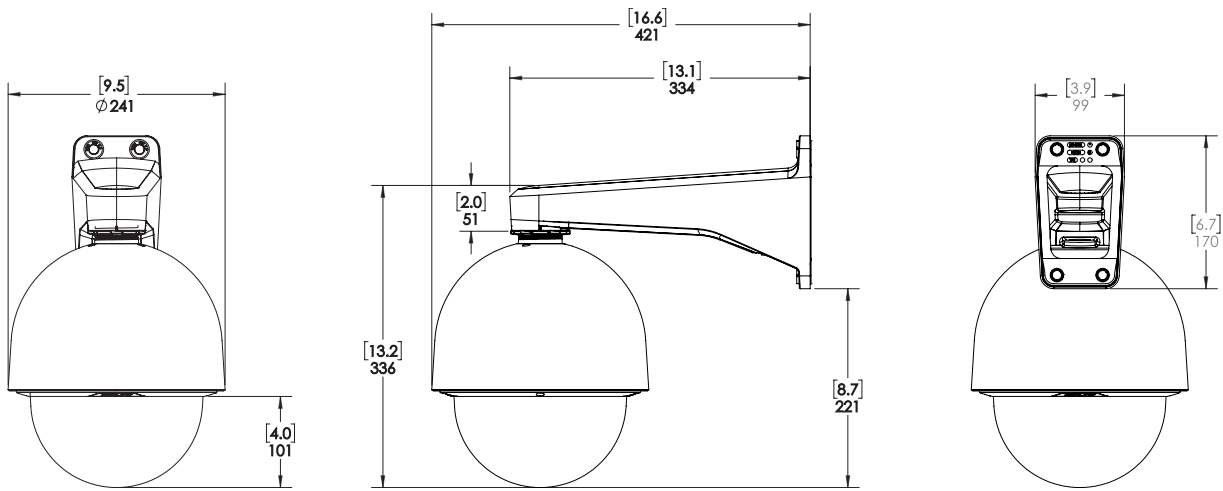
[X.X]	INCHES
X	MM



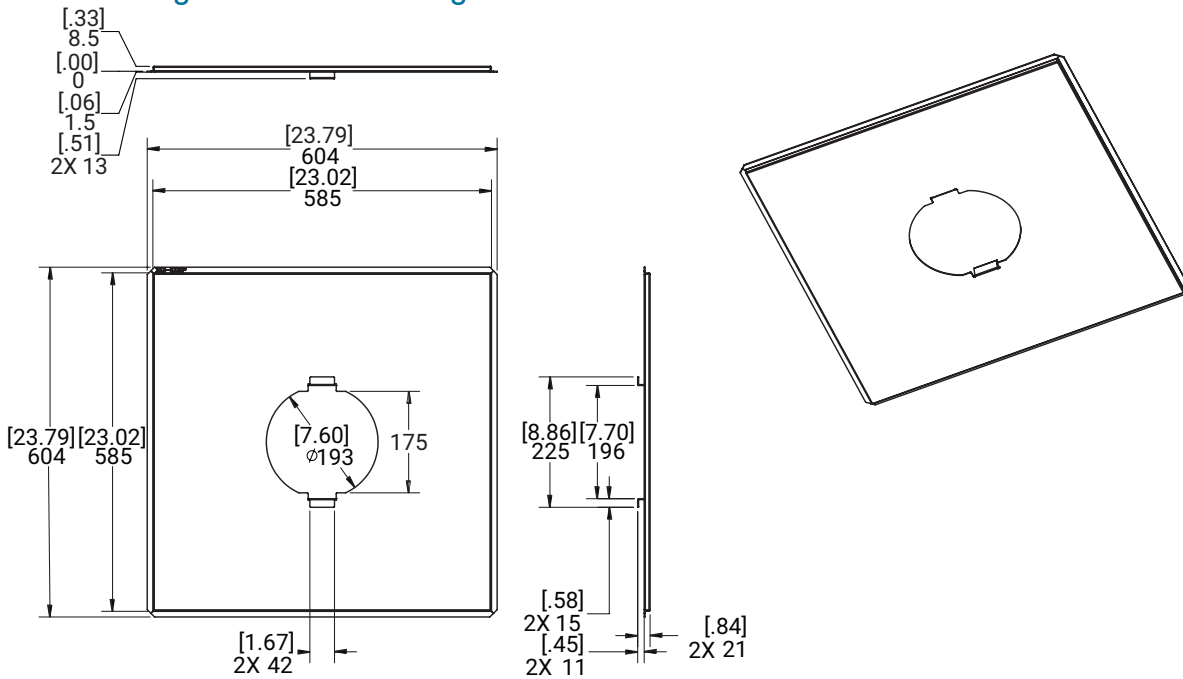
### Pendant PTZ Dome Camera



## Pendant PTZ Dome With Wall Arm



## Metal Ceiling Panel for In-Ceiling Installation



## PTZ Dome Cameras

	Description	Resolution	True WDR	IP66/67
SPDE8-2X30-ID0	SpEnh8 2MP 30X InCeiling, Clear	2.0 MP	√	X
SPDE8-2X30-PD0	SpEnh8 2MP 30X Pendant, Clear	2.0 MP	√	√
SPDE8-4X30-ID0	SpEnh8 4MP 30X InCeiling, Clear	4.0 MP	√	X
SPDE8-4X30-PD0	SpEnh8 4MP 30X Pendant, Clear	4.0 MP	√	√

## Accessories

Display Part Number	Description
WLMT-1031	Mount, Pendant Arm, 30 cm Long, 1.5 NPT
WLMT-1021	Pendant wall arm, 1.5" NPT female, 20 cm (7.8") long
PLMT-1001	Pole mount adapter
CRNMT-1001	Corner mount adapter
CAM-FIPS	Camera license required to enable FIPS 140-2 cryptographic modules
PD-9001GR/AT/AC-*-MSI	Indoor single port PoE+ 30W injector. Injector operational temperature range -20 °C to +40 °C (-4 °F to 104 °F). *NA/EU/UK/AU options available.
POE60U-1BTE	Gigabit 802.3bt 60 W PoE Injector
POE90U-1BT	PoE injector 802.3bt 90W Single Port
PTZ-CPNL-G	Metal Ceiling Panel for In-Ceiling Installations, Grey
LD-SP8-SMK50	Replacement smoked dome, 50% tint*
LD-SP8-CLR	Replacement clear dome*

\*These accessories will be available mid-Q4 2024.

## Support

Learn more and find additional documentation at [pelco.com](https://pelco.com) or email [support@pelco.com](mailto:support@pelco.com) for specific product support.



Sep 2024 | C5069S | Rev 1

© 2024, Motorola Solutions, Inc. All rights reserved. MOTOROLA, MOTO, MOTOROLA SOLUTIONS, and the Stylized M Logo are trademarks or registered trademarks of Motorola Trademark Holdings, LLC and are used under license. Pelco, the Pelco logo, and other trademarks associated with Pelco products referred to in this publication are trademarks of Pelco, Inc. or its affiliates. All other product names and services are the property of their respective companies. Product specifications and availability are subject to change without notice.