

rayMAX 300

ULTIMATE ADAPTIVE ILLUMINATION



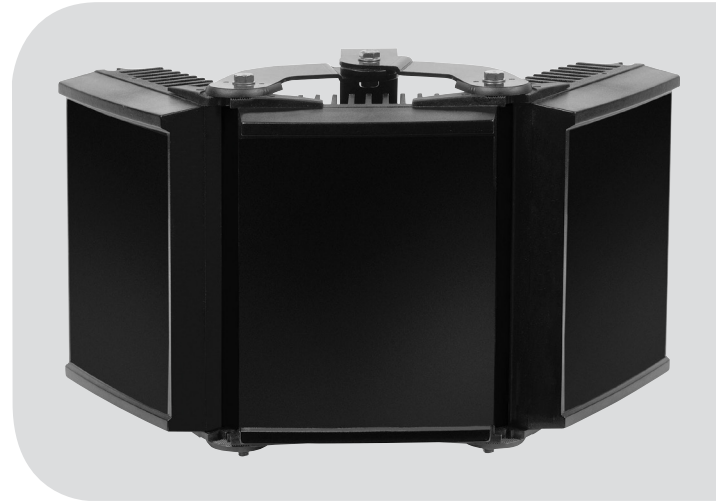
INFRA-RED PRODUCT RANGE

The RM300 is the latest generation of the RAYMAX series, **designed specifically to work in conjunction with fully functional domes.** RM300 provides World class performance, long life and zero maintenance. RM300 incorporates the very latest surface mount LED's to deliver excellent night-time pictures with improved optical output and outstanding reliability.

Ultimate Adaptive Illumination™ provides maximum flexibility to alter the angle of illumination on site to suit specific security needs. RAYMAX illuminators are also purpose designed to provide even output illumination.

Each unit is fitted with Active LED Life Control to carefully control LED output, delivering consistent illumination power and a projected working life of 10 years.

RAYMAX illuminators are supplied with bracket and power supply. Control features on the power supply include adjustable power output, photocell and telemetry control. RAYMAX 300 is suitable for all low light installations up to 370 metres (1,214ft).



POWERFUL

- Distances up to 370m (1,214ft)
- Latest LED technology
- 180° Panoramic options available - up to 100m (328ft)
- 360° coverage with only 2 units

FLEXIBLE

- Ultimate Adaptive Illumination™
- Various Angles (10° - 180°+)
- Fully Controllable Power Supply

RELIABLE

- 10 year life
- Active LED Life Control
- Vandal Resistant

CONTROLLED

- Zero Light Pollution
- Even Output Illumination
- Semi-Covert (850nm) or Covert (940nm) Options

ULTIMATE ADAPTIVE ILLUMINATION™:

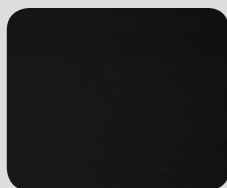


Narrow Angle



Wide Angle

INFRA-RED IN USE:



Infra-Red off



Infra-Red on

Version 7

APPLICATIONS



rayTEC[®]



ADAPTIVE ILLUMINATION™

Adaptive Illumination™ allows the installer to adjust the angle of the light projection from a single unit to fit the specific demands of any installation. Adjustment is quick and convenient and any angle up to 180 degrees (depending on model) is easily selectable. Adaptive Illumination is patent pending technology available exclusively from Raytec.



ACTIVE LED LIFE CONTROL

All Raytec illuminators employ cutting edge materials science techniques to improve thermal efficiency throughout the unit and ensure continuity of LED power. The New Advanced Cool Running™ system draws heat away from the LEDs, shielding the LED from abnormal stress, and allows Raytec LED products to deliver outstanding performance and consistency of illumination throughout the operational life of the illuminator.



SMT (Surface Mount Technology)

The future of lighting is surface mount LED technology. Compared to standard through hole LED's, surface mount LED's are a more robust solution increasing reliability and improving product life. They are also far more efficient at the dissipation of heat allowing the LED's to run at higher power and achieve significantly improved performance.



VANDAL RESISTANT

The polycarbonate lens design protects against severe blows from crowbars, baseball bats and can even withstand successive shots from air pistols and rifles (range dependant).



ENERGY SAVING

All Raytec illuminators use high efficiency LED's and advanced control methods to deliver extremely low electrical consumption. Raytec illuminators are energy saving and deliver huge savings in running costs compared to traditional bulb illuminators.



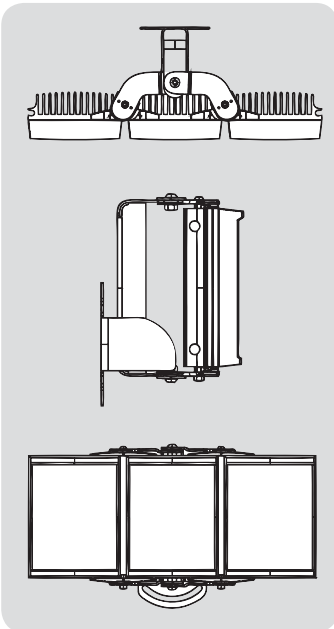
HIGH DEFINITION LIGHTING

High Definition Lighting allows cameras to provide crystal clear, high signal images during the hours of darkness. The breakthrough in HD lighting is made possible with Raytec's high power LED technology delivering increased power on scene.

5 YEAR WARRANTY

All Raytec CCTV illuminators are provided with a 5 year warranty, unmatched anywhere in the CCTV lighting industry. Raytec illuminators provide guaranteed long life!

TECHNICAL SPECIFICATIONS



ILLUMINATOR

- Max Distance:* up to 370m (1,214ft)
- Angle:* Various - See Part Codes
- Optics:* SMT LED's
- Consumption:* 120W max
- Voltage:* 13.5V current controlled
- Weight:* 6kg (13.2lbs)
- Environmental:* IP66
- Temp Range:* -50 to +50°C (-58 to 122°F)
- Cable Length:* 2.5m
- Colour:* Black
- Wavelength:* 850 or 940nm
- Dimensions:* 420 x 195 x 66mm
16" x 8" x 3" approx

BRACKETRY

Large AI Circular bracket provided as standard.
Optional pole mount and wall mount brackets available

POWER SUPPLY

- Input:* Universal 100-230V AC auto-sensing
- Output:* 120W max
- Temperature:* -50 to +50°C (-58 to 122°F)
- Weight:* 2.4kg (5.3lbs)
- Environmental:* IP66
- Dimensions:* 240mm x 160mm x 81mm
9" x 6" x 3" approx

Standard PSU (included)

Adjustable photocell
Adjustable power output for IR
Telemetry Control

Optional Upgrade: PRO Series PSU

PRO series PSU with optional PRO IQ and PRO Pulse plug-in modules provides user defined multi-function settings and remote control. In addition to photocell following contact and 12V DC output, PRO series features: Ecologic energy saving setting, Perma-Light consistent power setting, remote dim and boost, as well as deterrent, pulse and timer functions.

PART CODES & DISTANCES

RM300-AI-10	RAYMAX 300, 10-30 degree	AI, 850nm + PSU
RM300-AI-30	RAYMAX 300, 30-90 degree	AI, 850nm + PSU
For 180° illumination see RAYMAX Panoramic datasheet		
RM300-AI-10-C	RAYMAX 300, 10-30 degree	AI, 940nm + PSU
RM300-AI-30-C	RAYMAX 300, 30-90 degree	AI, 940nm + PSU
For 180° illumination see RAYMAX Panoramic datasheet		

NARROW ANGLE

370m (1,214ft)
200m (656ft)

WIDE ANGLE

220m (722ft)
120m (394ft)

Contact Raytec
Contact Raytec



Europe / Middle East: Tel: +44 (0) 1670 520055
Americas (Toll Free): Tel: +1 888 505 8335

Email: sales@rayteccctv.com
Email: ussales@rayteccctv.com
Web: www.rayteccctv.com