

rayMAX 25

INFRA-RED PRODUCT RANGE

The RAYMAX series of High Performance Infra-Red LED illuminators provide class leading performance, long life and zero maintenance. They incorporate the very latest surface mount LED's to deliver excellent night-time pictures with improved optical output and outstanding reliability.

Purpose designed to provide even output illumination, RAYMAX 25 is available in a number of different fixed angle variations to handle most standard installations.

Each unit is fitted with Active LED Life Control to carefully control LED output, delivering consistent illumination power and a projected working life of 10 years.

RAYMAX illuminators are supplied with bracket and power supply. Control features on the power supply include adjustable power output, photocell and telemetry control. RAYMAX 25 is suitable for all low light installations up to 20 metres (66ft).

RAYMAX 25 is also available with low voltage PSU.



POWERFUL

- Distances up to 20m (66ft)
- Latest LED technology
- High power - low running costs

FLEXIBLE

- Various angles (30°, 50° or 120°)
- Fully Controllable Power Supply
- Optional Low Voltage PSU

RELIABLE

- 10 year life
- Active LED Life Control
- Vandal resistant

CONTROLLED

- Zero Light Pollution
- Even Output Illumination
- Semi-Covert (850nm) or Covert (940nm) Options

INFRA-RED IN USE:



Infra-Red off



Infra-Red on

Version 3.1

APPLICATIONS



rayTEC[®]



ACTIVE LED LIFE CONTROL

All Raytec illuminators employ cutting edge materials science techniques to improve thermal efficiency throughout the unit and ensure continuity of LED power. The New Advanced Cool Running™ system draws heat away from the LEDs, shielding the LED from abnormal stress, and allows Raytec LED products to deliver outstanding performance and consistency of illumination throughout the operational life of the illuminator.



SMT (Surface Mount Technology)

The future of lighting is surface mount LED technology. Compared to standard through hole LED's, surface mount LED's are a more robust solution increasing reliability and improving product life. They are also far more efficient at the dissipation of heat allowing the LED's to run at higher power and achieve significantly improved performance.



VANDAL RESISTANT

The polycarbonate lens design protects against severe blows from crowbars, baseball bats and can even withstand successive shots from air pistols and rifles (range dependant).



ENERGY SAVING

All Raytec illuminators use high efficiency LED's and advanced control methods to deliver extremely low electrical consumption. Raytec illuminators are energy saving and deliver huge savings in running costs compared to traditional bulb illuminators.



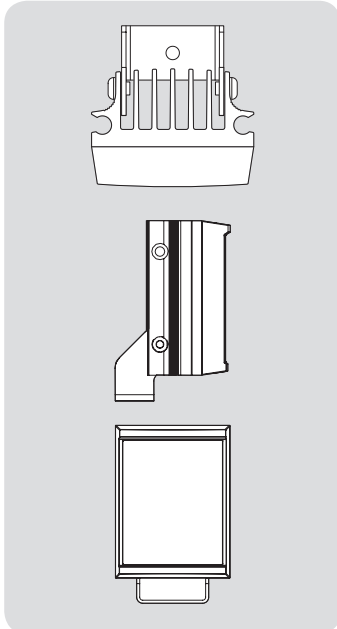
HIGH DEFINITION LIGHTING

High Definition Lighting allows cameras to provide crystal clear, high signal images during the hours of darkness. The breakthrough in HD lighting is made possible with Raytec's high power LED technology delivering increased power on scene.

5 YEAR WARRANTY
All Raytec CCTV illuminators are provided with a 5 year warranty, unmatched anywhere in the CCTV lighting industry. Raytec illuminators provide guaranteed long life!



TECHNICAL SPECIFICATIONS



ILLUMINATOR
Max Distance: up to 20m (66ft)
Angle: 30, 50 or 120 degrees
Optics: SMT LED's
Consumption: 10W max
Voltage: 13.5V current controlled
Weight: 0.5kg (1.1lbs)
Environmental: IP66
Temp Range: -50 to +50°C (-58 to 122°F)
Cable Length: 2.5m
Colour: Black
Wavelength: 850 or 940nm
Dimensions: 75 x 100 x 54mm
 3" x 4" x 2" approx

BRACKETRY
U Bracket included

POWER SUPPLY
Input: Universal 100-240V AC auto-sensing
 Low Voltage 12-24V option also available
Output: 10W max
Temperature: -50 to +50°C (-58 to 122°F)
Weight: 0.9kg (2lbs)
Dimensions: 160mm x 120mm x 80mm
 6" x 5" x 3" approx

Standard PSU (included)
Adjustable photocell
Adjustable power output for IR
Telemetry Control

Premium PSU (add ~PR to part code)
All standard PSU features PLUS:
Photocell following contact for switching of dual mode cameras
12V dc output to power cameras

Pulsed PSU (add ~PU to part code)
To pulse Raytec lights in sync with cameras.
Power Adjustment
Video In and Video Out connections to sync light and camera, 12V dc output to power cameras

PART CODES			DISTANCES
RM25-30	RAYMAX 25, 30°	Al, 850nm + PSU	20m (66ft)
RM25-50	RAYMAX 25, 50°	Al, 850nm + PSU	14m (46ft)
RM25-120	RAYMAX 25, 120°	Al, 850nm + PSU	8m (26ft)
RM25-30-C	RAYMAX 25, 30°	Al, 940nm + PSU	Contact Raytec
RM25-50-C	RAYMAX 25, 50°	Al, 940nm + PSU	Contact Raytec
RM25-120-C	RAYMAX 25, 120°	Al, 940nm + PSU	Contact Raytec