

Entra+

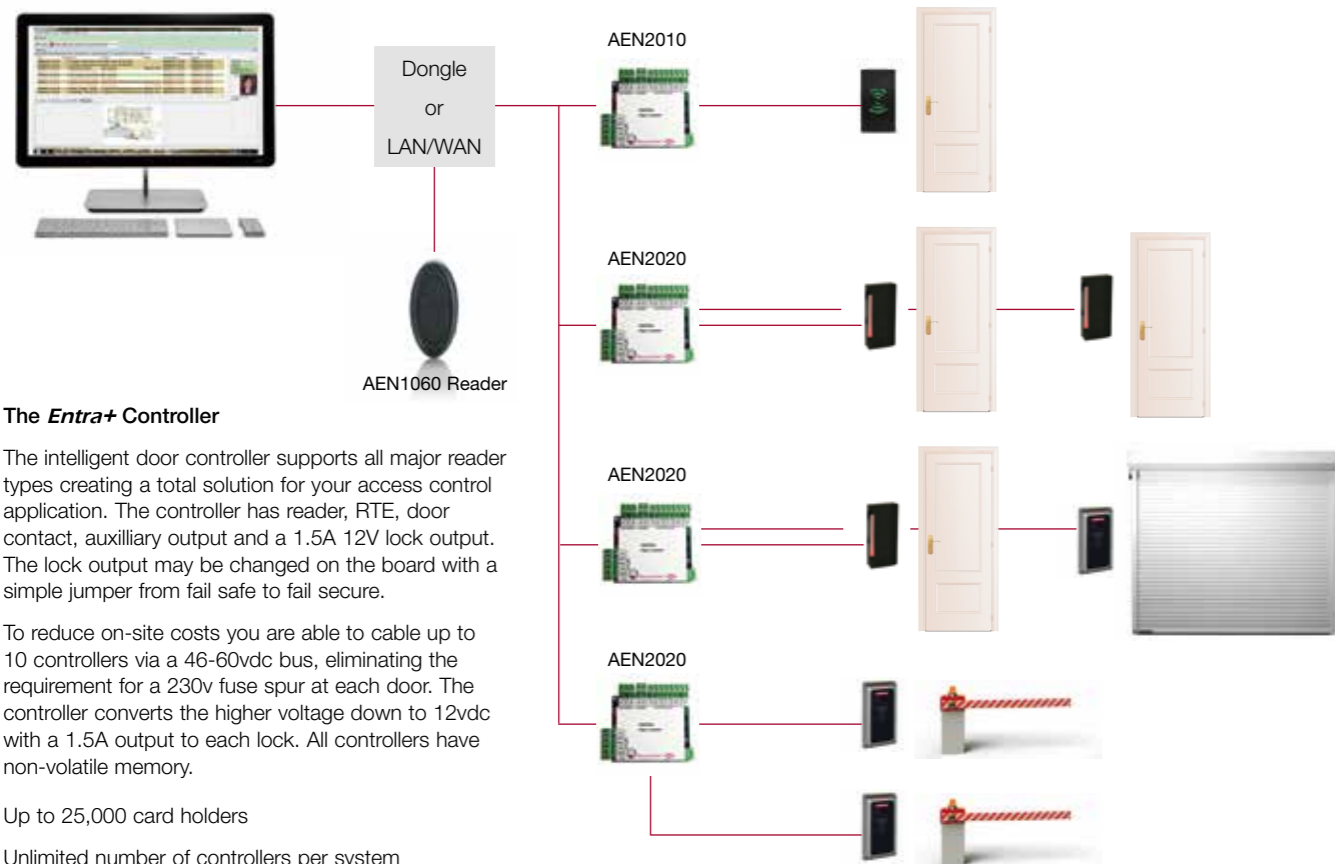
Versatile management of access control from a single door up to a multi-site network.



The heart of the **Entra+** system is a sophisticated yet compact controller which can be used to control a wide range of readers and reading technologies including Mifare, HID, proximity, magnetic stripe and biometrics on the same network. This allows the most appropriate readers to be sited at each point. For example, long range proximity at the car park entrance, iris reader at the main entrance and short range proximity at other strategic internal doors.

The **Entra+** controller is available in one and two door modules and can be supplied as PCB only or mounted inside a boxed 12v power supply.

The system provides the building blocks to create a fully integrated access control system, from a single door to a multi-site network with a number of controlling work stations.



The **Entra+** Controller

The intelligent door controller supports all major reader types creating a total solution for your access control application. The controller has reader, RTE, door contact, auxiliary output and a 1.5A 12V lock output. The lock output may be changed on the board with a simple jumper from fail safe to fail secure.

To reduce on-site costs you are able to cable up to 10 controllers via a 46-60vdc bus, eliminating the requirement for a 230v fuse spur at each door. The controller converts the higher voltage down to 12vdc with a 1.5A output to each lock. All controllers have non-volatile memory.

Up to 25,000 card holders

Unlimited number of controllers per system

Unlimited number of doors per system

RS485 or Ethernet/LAN connection

1000 event log

252 trigger events

Unlimited access levels

Up to 63 timezones

Product code:	Description
AEN2005	Entra+ Single door controller (board only)
AEN2010	Entra+ Single door controller c/w 3A 12v power supply
AEN2020	Entra+ Two door controller c/w 3A 12v power supply
AEN2030	Entra+ Four door controller c/w 5A 12v power supply

Entra+

Software control providing flexibility and security without compromise



The **Entra+** system is controlled by **Terminus**, a powerful software package which provides an exceptionally user-friendly tool to control the network from a central PC or laptop. Additional workstations may be added to offer ease of management (for example, different locations in a multi-site complex or multi-building application) with different levels of control being allocated to each system manager.

The system offers the following primary features:

- Alarm monitoring of security and fire
- Extensive alarm, transaction, card holder, user log and roll call reports providing essential management and security information as required
- Flexible access and user permissions
- Multiple workstations using TCP/IP access
- Multi-site management
- The ability to use different reader technologies on the same network
- Unlimited networks on the same system

Entra+ Terminus, software offers a range of options to create a system to suit your application from a basic access control system through to a truly advanced system with site plans, lift control, building energy control and car park management using the AEN2020 controller. The software options incorporate:

- Access permissions for individuals or user groups
- Administrative rights may be given via any workstation on the network
- Access rights are updated instantly
- Unlimited number of access levels with shift patterns, holidays and visitor permissions on an individual or group level
- Real time event viewing (allowing immediate control and monitoring)
- Fire alarm integration
- Emailed roll call muster report in the event of a fire alarm
- Car park count control and allocation
- Time sheet and reporting
- On-screen site graphics
- Building energy control
- Biometrics integration
- Anti pass-back

Multiple reader technologies on the same system



AEN4001 - wall mounted iris reader

The *Entra+* system is capable of incorporating a wide range of readers and reader technologies within the same network. So whether you intend to create simply a new access control system or want to add other features such as cashless vending *Entra+* has a reader to match your requirements.

MIFARE

Based on the proven MIFARE platform these cards offer a robust, flexible and secure solution. This type of card is very popular with cashless vending and can be integrated into both systems. The readers read the chip serial number, other readers are available which can read the sector on a card for greater security if required.

AEN1001 Mifare reader offers a clean design which fits a single gang back box. This ABS plastic reader is encapsulated and suitable for internal and external areas. Audible and visual indication of card status with a read range of 45mm.

AEN1002 Mifare readers in ABS plastic are encapsulated and suitable for internal and external installations. Audible and visual indication of card status with a read range of 45mm.

AEN1010 Mifare reader offers a clean cut design, constructed of steel. The reader is encapsulated and suitable for vandal resistant areas internally and externally. Audible and visual indication of card status with a read range of 45mm.

AEN1020 Mifare reader in ABS plastic is encapsulated and suitable for internal installations. Audible and visual indication of card status with a read range of 45mm.



Product code:	AEN1001	AEN1002	AEN1010	AEN1020
Frequency	13.56Mhz	13.56Mhz	13.56Mhz	13.56Mhz
Card read range	45mm	45mm	45mm	45mm
Fob read range	25mm	25mm	25mm	25mm
Logic	Mifare	Mifare	Mifare	Mifare
Power	9 - 16 vdc	9 - 16 vdc	9 - 16 vdc	9 - 16 vdc
Dimensions (w/h/d)	86 x 83 x 16	45 x 83 x 16	58 x 120 x 20	50 x 110 x 18

Proximity

Entra+ high quality card readers provide robust, reliable performance via contactless card technology. The readers are available in a number of options for maximum card format and system design flexibility.

AEN1060 Innoprox readers provide a clean cut design constructed of tough fire resistant polycarbonate. The reader is encapsulated and suitable for internal and external installations. Audible and visual indication of card status with a read range of 76mm. Dual reader software enables two readers on a single door with in/out reporting.

AEN1050 Innoprox long range readers provide a slim ergonomic design, constructed for clean room areas and doors where there is high speed pedestrian traffic. Audible and visual indication of card status with a read range of 220mm.



Product code:	AEN1060	AEN1050
Frequency	125Khz	125Khz
Card read range	76mm	220mm
Fob read range	38mm	120mm
Power	7 - 25 vdc	12 vdc
Dimensions (w/h/d)	51 x 103 x 17	330 x 330 x 10

HID 125Khz Compatible

AEN1030 HID 125Khz compatible reader offers a clean cut design, constructed of steel. The reader is encapsulated and suitable for vandal resistant areas internally and externally. Audible and visual indication of card status with a read range of 30mm.

AEN1040 HID 125Khz compatible reader offers a clean cut design, constructed of ABS plastic. The reader is encapsulated and suitable for internal installations. Audible and visual indication of card status with a read range of 45mm.



Product code:	AEN1030	AEN1040
Frequency	125Khz	125Khz
Card read range	30mm	45mm
Fob read range	15mm	25mm
Logic	HID	HID
Power	9 - 16 vdc	9 - 16 vdc
Dimensions (w/h/d)	58 x 120 x 20	50 x 110 x 18

Biometrics

Ideal for use on applications where a higher level of security is required the *Entra+* system incorporates iris reader technology. The readers are motorised to allow the lens to focus on the eyes, adjusting to a wide range of heights. This is more convenient for the user and reduces the time required to make an accurate reading.

The system is capable of matching 2,500 images per second in order to identify the user. Once identified a Wiegand signal is transmitted to the controller for quick and reliable access.

Readers are linked directly to the *Entra+* controller

Approved for National Infrastructure installations

Vandal resistant external readers available

Simple installation and management

Fast and effective reading



Card & fobs

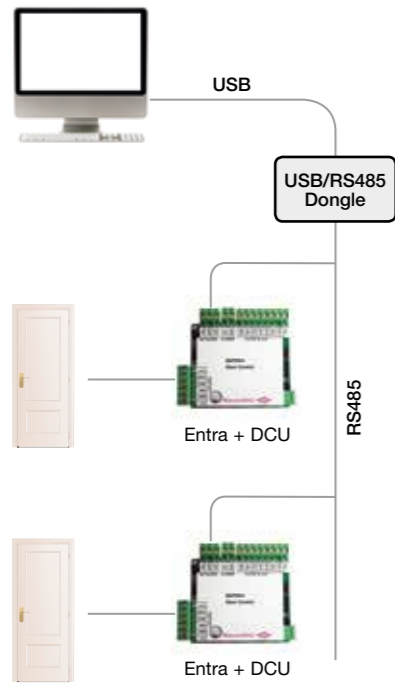
The following cards & fob options are available:

- AMUI-C** IET Mifare card
- AIP-F** IET Key fob
- AIP-C** IET Proximity card
- AHP-IC** IET HID compatible card ISOPROX II
- AHP-PC** IET HID compatible card DUOPROX II
- AHP-FC** IET HID compatible PROXKEY II key fob



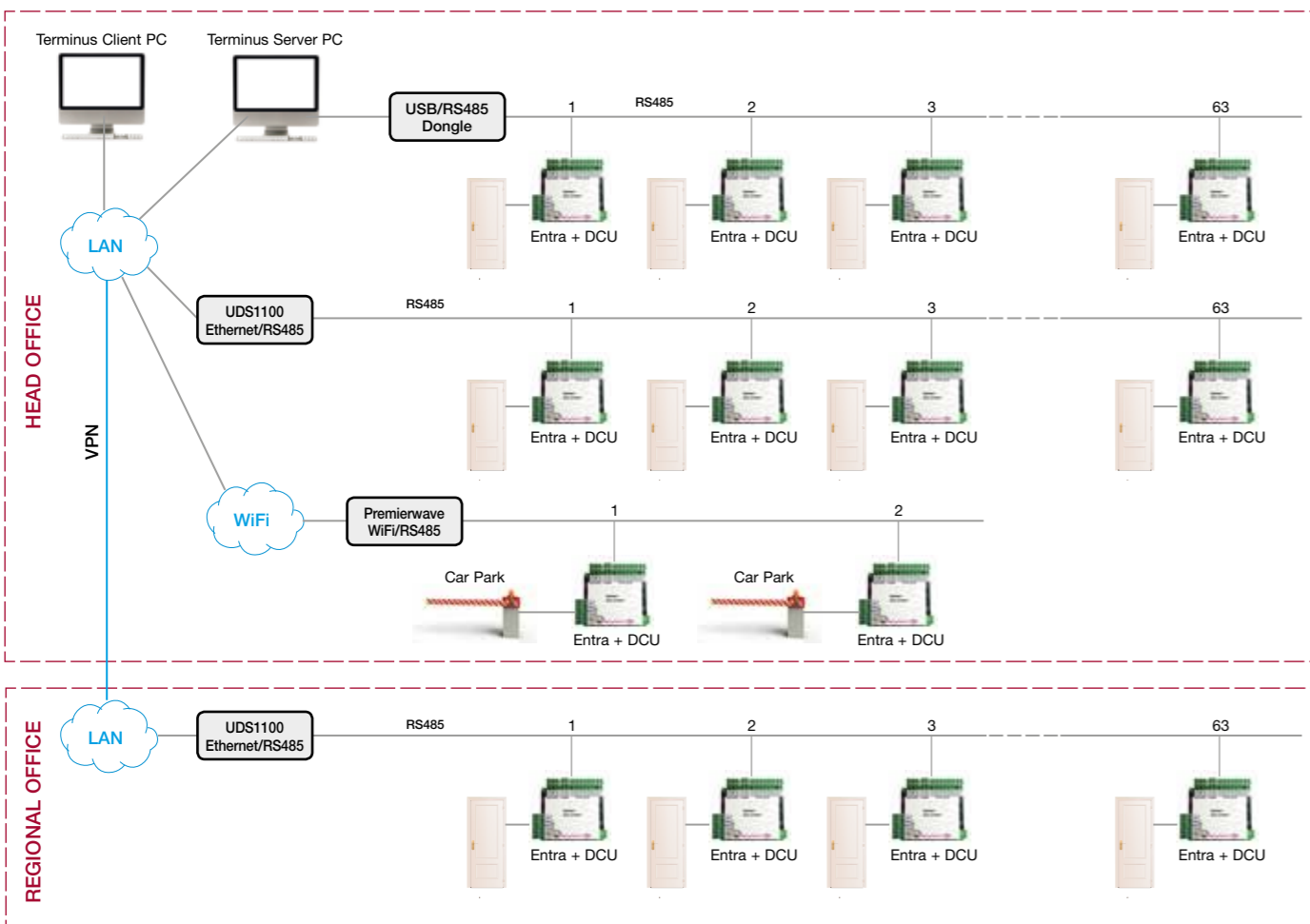
Product code:	AEN4001	AEN4002
Description	Iris reader	Iris reader
Mounting	Wall mounted	Desk mounted
Read range	200mm	200mm
Read speed	2 - 5 seconds	2 - 5 seconds
Logic	Wiegand	Wiegand
Power	9 - 16 vdc	9 - 16 vdc
Dimensions (w/h/d)	230 x 100 x 80	-

Basic system using USB/RS485 Dongle to connect to PC



Entra+ Technical Specifications	
Doors on system	Unlimited
Workstations on system	Unlimited
Card holders on system	25,000 max.
Network connection	Dongle or TCP/IP
Event log	User defined
Voltage	12v or 46-60v bus
Lock output	12v 1.5A
Operating temperature	5 - 50° C
Humidity (non condensing)	10 - 90%
Transaction buffer	1000
Alarm buffer	100
Alarm zones	Unlimited
Alarm monitoring	Yes - with email
Fire roll-call	Yes - with email
Trigger events	252
Intruder links	252
Lift control	Yes
Report exporter	Yes
Biometrics	Yes
Multi-cards	Yes
Multi-readers	Yes
Visitor cards	Yes
Anti-passback	Yes
Site plans / photos	Unlimited
Badge designs	Unlimited
Cable	RS485
Network cable	Belden 9841 - 2 core
Card reader cable	Belden 9535 - 5 core

Larger system using both USB/RS485 Dongle and LAN



For full product specifications on Deedlock systems please contact our sales office.

Stand Alone Keypads

Our stand alone keypads provide basic access control by code for low risk entrances or internal doors. All the electronics are built into the keypad housing. The keypad controls a relay which operates an electronic lock or can be used to trigger an automatic door operator.

All our keypads have the following features:

- Different length codes between 2 and 8 digits
- Built-in timer for output relay
- Input for Push to Exit button
- Internal or external versions available
- Single or multiple code options



Deedlock APX-15

A keypad which is suitable for internal or sheltered external applications for medium use applications.

Features include:

- Metal housing and buttons
- Programmed using master code
- Operating voltage 12v AC or DC
- 1 to 50 user codes of 2 - 8 digits
- Volt free output relay rated 2A at 12v DC
- Dims.116(h) x 74(w) x 22mm(d)



Siemens ABW-K42

A keypad suitable for internal or sheltered external applications for medium use applications.

Features include:

- Cast metal housing and stainless steel buttons
- Codes set by internal jumpers & pins
- Operating voltage 12-24v AC or DC
- 1 or 2 user codes of 4 digits
- Volt free output relay rated 1A at 28v DC
- Dims. 140(h) x 80(w) x 22mm(d)



Deedlock APX-16

A keypad which is suitable for internal or external applications for medium or heavy duty applications.

Features include:

- Robust metal housing and buttons
- Weather resistant to IP65 rating
- Programmed using master code
- Operating voltage 12-24v DC or 12v AC
- 1 to 1200 user codes of 4 - 8 digits
- Two volt free output relays rated 2A at 24v DC
- Dims.135(h) x 58(w) x 27mm(d)



Deedlock APX-16/PROX

A combined keypad and proximity reader which is suitable for internal or external applications for medium or heavy duty applications.

Features include:

- Robust metal housing and buttons
- Weather resistant to IP65 rating
- Programmed using master code
- Combined PIN and Proximity reader allows operation by PIN only, Prox only or both
- Operating voltage 12-24v DC or 12v AC
- 1 to 1200 user cards or codes of 4 - 8 digits
- Two volt free output relays rated 2A at 24v DC
- Includes 10 proximity cards
- Dims.135(h) x 58(w) x 27mm(d)

Stand Alone Keypads							
Product Ref:	Description	Voltage	Current mA (12/24v)	Relay rating	Relay time (sec)	No. of codes	IP rating
APX-15	Metal keypad	12v AC/DC	80mA	2A 12v DC	0 - 99	1 - 50	-
APX-16	Metal keypad	12-24v DC or 12v AC	80mA	2A 24v DC	0 - 99	1 - 1200	IP65
ABW-K42	Metal keypad	12-24v AC/DC	50mA	1A 28v DC	1 - 30	1 or 2	IP54
APX-16/PROX	Metal keypad/reader	12-24v DC or 12v AC	80mA	2A 24v DC	0 - 99	1 - 1200	IP65
APX16CARD	Proximity card for APX-16/PROX						
APX-03F	Proximity fob - Pack of 10 for APX-16/PROX						

Deedlock Access Control Kits



AKT4223 - Single Door Proximity Access Control Kit

Access control kit with proximity fob linked to an electric release for use with a standard rim or mortice nightlatch fitted to timber doors.

Ideally suited to residential or light office applications.

- Boxed 12v DC 1A power supply and controller, proximity reader, 10 No. fobs, rim electric release c/w mortice faceplate and plastic exit button
- Programmed using master fob
- Up to 999 user fobs (each fob is allocated a 3 digit number which is displayed inside the controller/PSU)
- Fobs can be easily deleted from the system by number
- Electric release remains locked in power failure (Fail Secure)

Product code:	Description - Readers	Voltage	Relay time	No. of users	Read range	Reader IP rating	Other features
AKT4223	Proximity kit c/w electric release	240v AC	1 - 9 sec	1 - 999	50mm	IP54	Exit button input
AC7101	Additional proximity fob	-	-	-	-	-	



AKT4224 - Single Door Proximity Access Control Kit

Access control kit with proximity fob linked to a slimline magnetic lock suitable for outward opening timber or metal doors (can be fitted to inward opening doors with additional Z & L brackets).

Ideally suited to residential or light office applications.

- Boxed 12v DC 1A power supply and controller, proximity reader, 10 No. fobs, slimline magnetic lock, plastic exit button and green emergency call point
- Programmed using Master Fob
- Up to 999 user fobs (each fob is allocated a 3 digit number which is displayed inside the controller/PSU)
- Fobs can be easily deleted from the system by number
- Magnetic lock is unlocked in power failure (Fail Safe)

Product code:	Description - Readers	Voltage	Relay time	No. of users	Read range	Reader IP rating	Other features
AKT4224	Proximity kit c/w magnetic lock	240v AC	1 - 9 sec	1 - 999	50mm	IP54	Exit button input
AC7101	Additional proximity fob	-	-	-	-	-	



AKT4225 - Single Door Keypad Access Control Kit

Kit which allows access by keypad linked to an electric release for use with a standard rim or mortice nightlatch fitted to timber doors.

Ideally suited to residential or light office applications.

- Boxed 12v DC 1A power supply, APX-15 keypad, rim electric release c/w mortice faceplate and plastic exit button
- Programmed using Master Code
- 1-50 user codes (2 - 8 digit code)
- Easily add or delete codes with each code allocated a slot number
- Electric release remains locked in power failure (Fail Secure)

Product code:	Description - Readers	Voltage	Relay time	No. of users	Keypad installation options	Other features
AKT4225	Keypad kit c/w electric release	240v AC	0 - 99 sec	1 - 50	Internal or sheltered external use	Exit button input

Deedlock Access Control



AKT4226 - Single Door Keypad Access Control Kit

Kit which allows access by keypad linked to a slimline magnetic lock suitable for outward opening timber or metal doors (can be fitted to inward opening doors with additional Z & L brackets).

Ideally for residential, office or light commercial applications.

- Boxed 12v DC 1A power supply, APX-15 keypad, slimline magnetic lock, plastic exit button and green emergency call point
- Programmed using Master Code
- 1-50 user codes (2 - 8 digit code)
- Easily add or delete codes with each code allocated a slot number
- Magnetic lock is unlocked in power failure (Fail Safe)

Product code:	Description - Readers	Voltage	Relay time	No. of users	Keypad installation options	Other features
AKT4226	Keypad kit c/w magnetic lock	240v AC	0 - 99 sec	1 - 50	Internal or sheltered external use	Exit button input



AKT4227 - Single Door Keypad Access Control Kit

Kit which allows access by keypad linked to a slimline magnetic lock suitable for outward opening timber or metal doors (can be fitted to inward opening doors with additional Z & L brackets).

Ideally for residential, office or light commercial applications.

- Boxed 12v DC 1A power supply, APX-16 keypad, slimline magnetic lock, plastic exit button and green emergency call point
- Programmed using Master Code
- 1-1200 user codes (4 - 8 digit code)
- Easily add or delete codes with each code allocated a slot number
- Magnetic lock is unlocked in power failure (Fail Safe)

Product code:	Description - Readers	Voltage	Relay time	No. of users	Keypad installation options	Other features
AKT4227	Keypad kit c/w magnetic lock	240v AC	0 - 99 sec	1 - 1200	Internal or external use (IP65 rated)	Exit button input



AKT4228 - Single Door Keypad Access Control Kit

Kit which allows access by keypad linked to an electric release for use with a standard rim or mortice nightlatch fitted to timber doors.

Ideally for residential, office or light commercial applications.

- Boxed 12v DC 1A power supply, APX-16 keypad, rim electric release c/w mortice faceplate and plastic exit button
- Programmed using Master Code
- 1-1200 user codes (4 - 8 digit code)
- Easily add or delete codes with each code allocated a slot number
- Electric release can be set as locked or unlocked in power failure

Product code:	Description - Readers	Voltage	Relay time	No. of users	Keypad installation options	Other features
AKT4228	Keypad kit c/w electric release	240v AC	0 - 99 sec	1 - 1200	Internal or external use (IP65 rated)	Exit button input

Deedlock Electromagnetic Locks

Introduction

The **Deedlock** range of electronic locking solutions is a comprehensive selection of electromagnetic locks, solenoid bolts, electromagnetic hold-open magnets and electric releases. All the electronic locks are designed to be used in conjunction with any of the **Securefast** electronic access control systems.

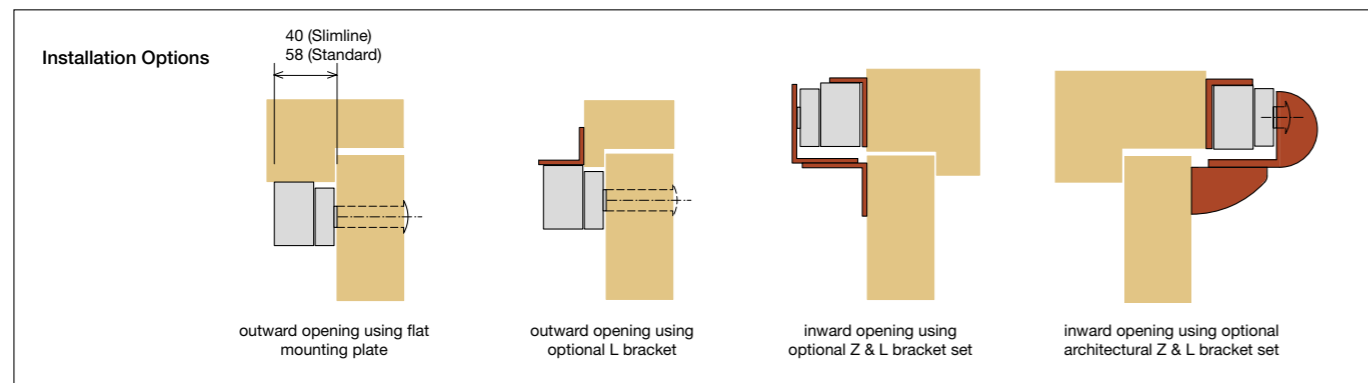


Standard single magnet

The **Deedlock** range of electromagnetic locks is suitable for a wide range of applications used in conjunction with either an access control system or audio/video entry system.

Features of the **Slimline and Standard** ranges include:

- Low maintenance with no moving parts
- Simple and quick installation with surface mounted and morticed options (see page 14) suitable for timber or metal doors
- Slimline profile produces a neat installation
- Versions available with built-in timer (0 - 90 seconds)
- Suitable for single or double doors, inward or outward opening
- Minimum holding force of 500lbs (Slimline) to 1100lbs (Standard) dependent on installation
- Dual voltage, 12 or 24v DC selectable on-site
- Monitored versions available
- CE marked
- Satin anodised aluminium finish
- Safety bolts which prevent magnet from detaching from bracket
- Glass door bracket available



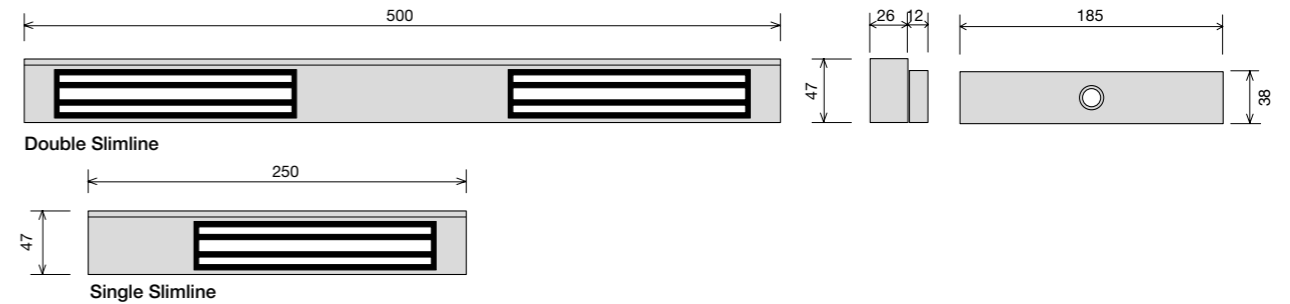
Deedlock Electromagnetic Locks - Slimline Face to Face



Slimline double magnet
AEM10003

Slimline single magnet - AEM10001

Please note, the holding force of all electromagnetic locks is dependent on the specific installation details. Figures quoted are therefore nominal.



AMH590/ZA brackets



AMH590/ZA brackets



AEMBR089F Z&L brackets



AEMBR026 Z&L brackets

Slimline Electromagnets						
Product Ref:	Description	Min. holding force (lbs)	Usage	Voltage	Current mA (12/24v)	Typical application
AEM10001	Single - unmonitored	500	Medium	12/24v DC	500/250	Secondary security or for low/medium security on internal doors
AEM10002	Single - monitored	500	Medium	12/24v DC	500/250	
AEM10002/DS	Single - monitored c/w door status contacts	500	Medium	12/24v DC	500/250	
AEM10003	Double - unmonitored	500*	Medium	12/24v DC	1000/500	
AEM10004	Double - monitored	500*	Medium	12/24v DC	1000/500	
AEM10004/DS	Double - monitored c/w door status contacts	500*	Medium	12/24v DC	1000/500	
AEM 10001T	Single - unmonitored - c/w timer	500	Medium	12/24v DC	500/250	
AEM 10002T	Single - monitored - c/w timer	500	Medium	12/24v DC	500/250	
AEM 10003T	Double - unmonitored - c/w timer	500*	Medium	12/24v DC	1000/500	
AEM 10004T	Double - monitored - c/w timer	500*	Medium	12/24v DC	1000/500	

* - holding force per door leaf

Deedlock Electromagnetic Locks - Micro & Midi Face to Face

Deedlock Micro Face to Face Electromagnetic Lock

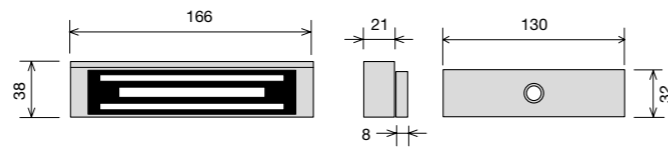
A low profile surface mounted micro magnet ideal for locking small cupboards or cabinets.

Features of the Micro range include the following:

- CE marked
- Low maintenance with no moving parts
- Simple to install surface mounted unit
- Slimline profile produces a neat installation
- Suitable for single timber or aluminium doors
- Minimum holding force 300lbs per door leaf (dependent on installation)
- Dual voltage, 12/24v selectable on site
- Satin anodised aluminium finish



Micro magnet - AEM-ML300H



Surface Micro Electromagnet & Brackets						
Product Ref:	Description	Min. holding force (lbs)	Usage	Voltage	Current mA (12/24v)	Typical application
AEM-ML300H	Surface micro magnet - single, unmonitored	300	Medium	12/24v DC	360/180	Cupboards, cabinets and lockers
AEM-MLBR01	Z & L bracket set for inward opening door					
AEM-MLBRL	Transom L bracket for outward opening door					

Deedlock Midi Face to Face Electromagnetic Locks

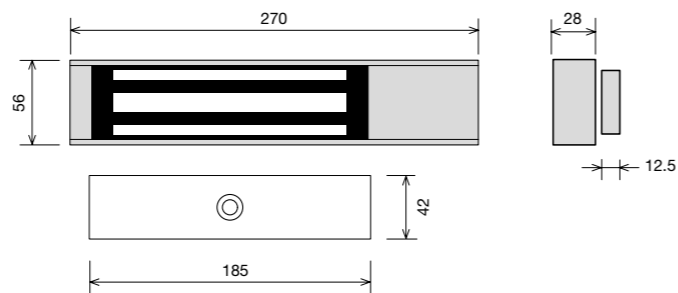
A range of low profile magnets suitable for secondary security or medium security on internal doors.

Features of the Midi range include the following:

- CE marked
- Low maintenance with no moving parts
- Simple to install surface mounted unit
- Slimline profile produces a neat installation
- Suitable for single or double timber or aluminium doors
- Minimum holding force 800lbs per door leaf (dependent on installation)
- Dual voltage, 12/24v selectable on site
- Satin anodised aluminium finish



Slimline single magnet - AEM80001



Midi Electromagnets & Brackets						
Product Ref:	Description	Min. holding force (lbs)	Usage	Voltage	Current mA (12/24v)	Typical application
AEM80001	Midi magnet - single - unmonitored	800	Medium	12/24v DC	560/280	Secondary security or for low/medium security on internal doors
AEM80002	Midi magnet - single - monitored	800	Medium	12/24v DC	560/280	
AEMBR800	Z & L bracket set for inward opening doors					
AEMBR801	Transom L bracket for outward opening doors					

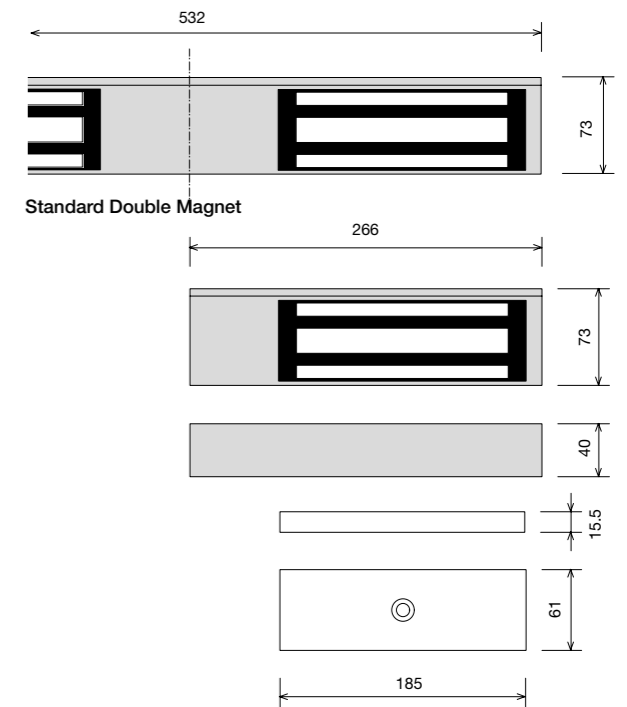
Deedlock Electromagnetic Locks - Standard Face to Face



Standard double magnet - AEM10060



Standard single magnet - AEM10010



Brackets for Slimline & Standard Magnets		
Bracket Type:	Slimline Magnets	Standard Magnets
L bracket (door opening out)	AEMBR008	AEMBR006
Budget Z & L brackets	AEMBR089	-
Z & L bracket (door opening in)	AEMBR089F	AEMBR026
Arch. L bracket (door opening out)	AMH590/LA	AMH594/LA
Arch. Z & L bracket (door opening in)	AMH590/ZA	AMH594/ZA
Surface armature plate housing	AEMBR018	AEMBR016
Flush/Mortice armature plate housing	AEMBR019	-
Armature plate bracket for glass	AEMBR185	AEMBR185

Standard Electromagnets						
Product Ref:	Description	Min. holding force (lbs)	Usage	Voltage	Current mA (12/24v)	Typical application
AEM10010	Single - unmonitored	1100	High	12/24v DC	500/250	Single entrance/exit doors or high circulation situations
AEM10020	Single - monitored	1100	High	12/24v DC	500/250	
AEM10020/DS	Single - monitored c/w door status contacts	1100	High	12/24v DC	500/250	
AEM10030	Single - double monitored	1100	High	12/24v DC	500/250	Double entrance/exit doors or high circulation situations
AEM10060	Double - unmonitored	1100*	High	12/24v DC	1000/500	
AEM10040	Double - monitored	1100*	High	12/24v DC	1000/500	
AEM10040/DS	Double - monitored c/w door status contacts	1100*	High	12/24v DC	1000/500	
AEM10050	Double - double monitored	1100*	High	12/24v DC	1000/500	
AEM 10010T	Single - unmonitored - c/w timer	1100	High	12/24v DC	500/250	Single entrance/exit doors or high circulation situations
AEM 10020T	Single - monitored - c/w timer	1100	High	12/24v DC	500/250	

* - holding force per door leaf

Deedlock Electromagnetic Locks - Mortice Face to Face

We also offer a range of Micro and Slimline magnets which can be either mortice mounted into timber or metal door frames in sliding door applications, or can be supplied with architectural housings for vertical mounting on single doors or transom mounting on single doors or transom mounting on single or double doors.

- Features of the Slimline Mortice magnets include the following:
- Installations are visually improved with flush fitting magnet(s)
 - Continuous housings provide improved aesthetics for high quality installations
 - Ideal solution for sliding door applications
 - Housings can be cut on site to suit door width or door height
 - Monitored magnets available
 - Suitable for single or double outward opening doors
 - Minimum holding force 500 lbs per door leaf (dependent on installation)
 - CE marked
 - Satin anodised aluminium finish

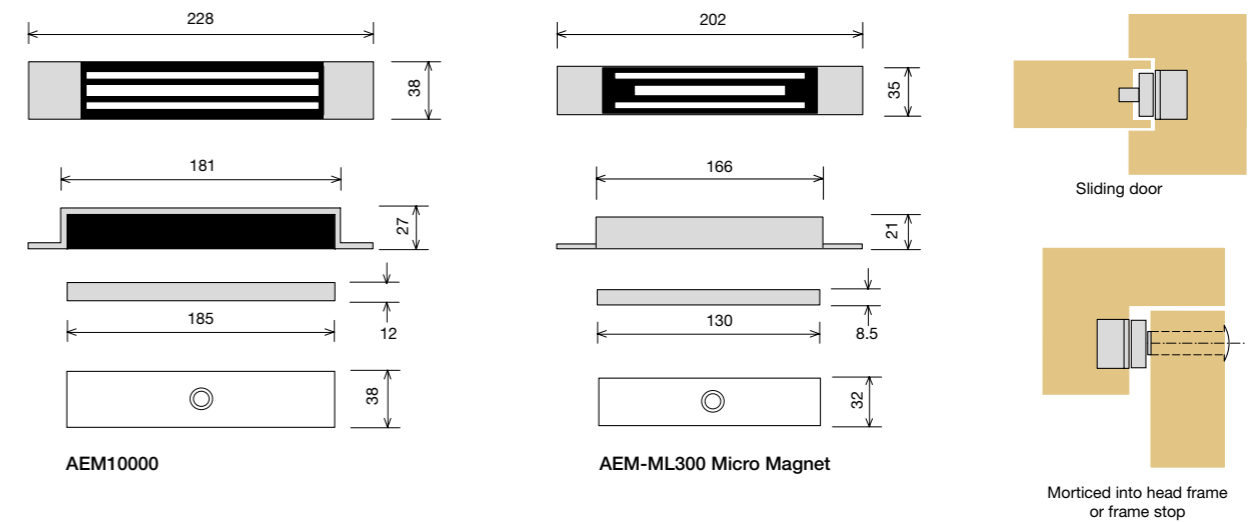


Slimline mortice magnet AEM10000

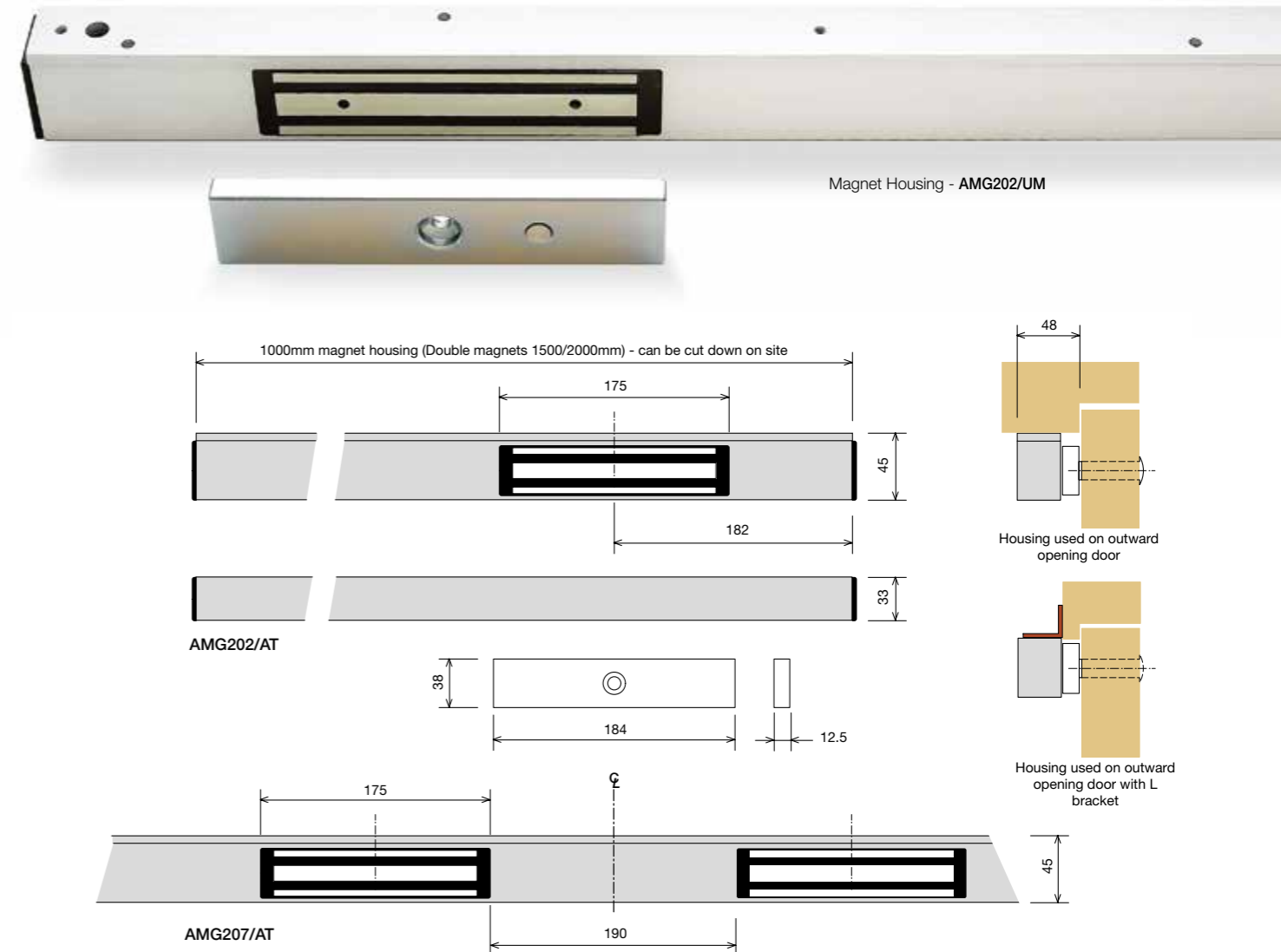
Micro mortice magnet AEM-ML300

Mortice Mounted Electromagnets						
Product Ref:	Description	Min. holding force (lbs)	Usage	Voltage	Current mA (12/24v)	Typical application
AEM-ML300	Micro magnet - single - unmonitored	300	Low	12/24v DC	360/180	Ideal for cupboards and lockers
AEM10000	Slimline magnet - single - unmonitored	500	Medium	12/24v DC	500/250	Ideally suited to sliding doors
AEM10000R	Slimline magnet - single - monitored	500	Medium	12/24v DC	500/250	Ideally suited to sliding doors
Slimline Magnets with Continuous Architectural Housings						
AMG202/AT	Slimline - single monitored c/w 1m transom housing	500	Medium	12/24v DC	500/250	Transom mounting on single door
AMG202/UM	Slimline - single unmonitored c/w 1m transom housing	500	Medium	12/24v DC	500/250	Transom mounting on single door
AMG204/AT	Slimline - dble monitored c/w 1.5m transom housing	500	Medium	12/24v DC	1000/500	Transom mounting on double door
AMG204/UM	Slimline - dble unmonitored c/w 1.5m transom housing	500	Medium	12/24v DC	1000/500	Transom mounting on double door
AMG205/AT	Slimline - dble monitored c/w 2m vertical housing	500	Medium	12/24v DC	1000/500	Vertical mounting on single door
AMG205UM	Slimline - dble unmonitored c/w 2m vertical housing	500	Medium	12/24v DC	1000/500	Vertical mounting on single door
AMG206/AT	Slimline - single monitored c/w 2m transom housing	500	Medium	12/24v DC	500/250	Transom mounting on double door with one leaf bolted top & bottom
AMG207/AT	Slimline - dble monitored c/w 2m transom housing	500	Medium	12/24v DC	1000/500	Transom mounting on double door
AMG207/UM	Slimline - dble unmonitored c/w 2m transom housing	500	Medium	12/24v DC	1000/500	Transom mounting on double door
AMG201/AT	Mortice magnet for AMG200 Series - monitored	500	Medium	12/24v DC	500/250	Spare magnet for AMG200 Series
AMG201/UM	Mortice magnet for AMG200 Series - unmonitored	500	Medium	12/24v DC	500/250	Spare magnet for AMG200 Series
AMH592/L1	L bracket 1m for AMG202 magnet & housing	n/a	n/a	n/a	n/a	Allows transom housing to be fixed to shallow header
AMH592/L2	L bracket 2m for AMG204, AMG205, AMG207	n/a	n/a	n/a	n/a	
AEMBR019	Flush/mortice armature plate housing (for AEM10000)	n/a	n/a	n/a	n/a	Allows armature plate to be fitted flush into the door

Deedlock Electromagnetic Locks - Mortice Face to Face



Deedlock Electromagnetic Locks - Full Length Housings



Deedlock Standard Magnets in Full Width Housing

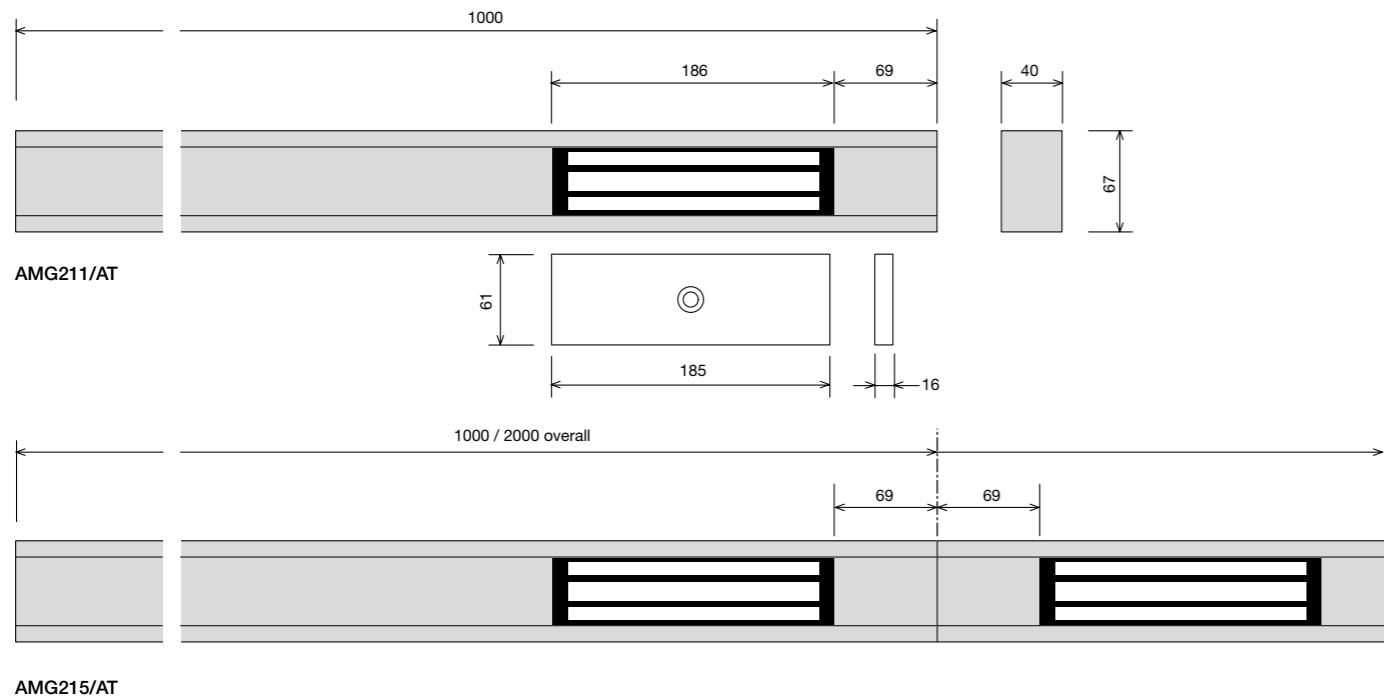
The Deedlock transom housing including standard electromagnetic lock offers more security than the Slimline version due to the increased holding force of a minimum of 1,100lbs per door leaf. The transom length housing offers a neat installation being fitted across the full width of the door opening. The magnet housing can be fitted to outward opening doors in timber or aluminium.

Features of the Standard magnet in full width housing include:

- CE marked
- Continuous transom housing provides improved aesthetics for high quality installations
- Single or double magnet versions available to suit outward opening doors
- Minimum holding force 1,100 lbs per door (dependent on installation)
- Dual voltage 12 or 24v DC selectable on-site
- Monitoring of armature plate as standard
- Satin anodised aluminium finish
- Housing can be cut down on-site to suit door width



Standard Electromagnet in Full Length Housing						
Product Ref:	Description	Min. holding force (lbs)	Usage	Voltage	Current mA (12/24v)	Typical application
AMG211/AT	Standard single magnet in 1 metre transom housing	1100	High	12/24v DC	500/250	Entry or Exit doors
AMG215/AT	Standard double magnet in 2 metre transom housing	1100	High	12/24v DC	1000/500	



Electromagnetic Gate Lock

Electromagnetic Gate Locks

A range of face to face surface mounted magnets suitable for external applications with the following features:

- Surface mounted and simple to install
- Suitable for external applications such as vehicle and pedestrian entrance gates
- Minimum holding force 1100 lbs (dependent on installation details)
- Reed switch monitoring
- CE marked

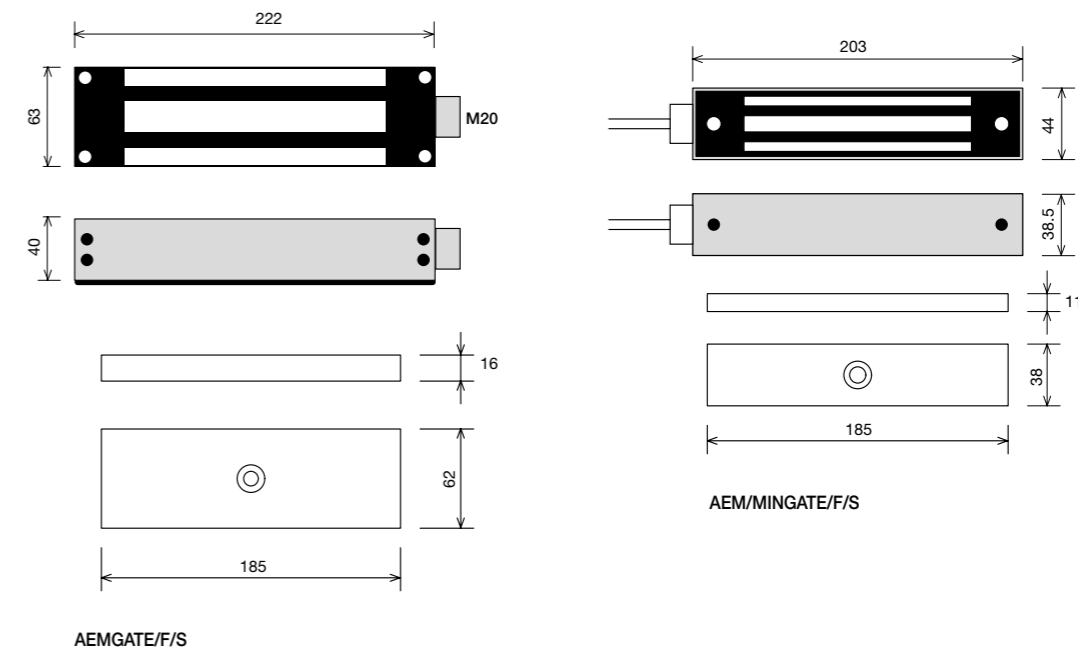


Gate Lock - AEMGATE/F/S



Mini Gate Lock - AEM/MINGATE/F/S

Electromagnetic Gate Locks						
Product Ref:	Description	Min. holding force (lbs)	Usage	Voltage	Current A (12/24v)	Typical application
AEMGATE/F/S	Side and face fixed gate lock - monitored	1100	High	12/24v DC	500/250	Single vehicle or large pedestrian gate
AEM/MINGATE/F/S	Side and face fixed Mini gate lock - monitored	500	Medium	12/24v DC	500/250	Single low security pedestrian gate
AEMBR046	Z bracket for AEM/GATE/F/S	n/a				To fix armature plate to inward opening gate
AEMBR056	Z bracket for AEM/MINGATE/F/S	n/a	n/a	n/a	n/a	To fix armature plate to inward opening gate



Electromagnetic Shear Locks

Shear locks offer a high level of security and have the following features:

- Surface mounted version is simple to install
- Mortice shear lock is fully concealed and can be fitted to timber or metal doors (min. door thickness 44mm)
- Suitable for single or double swing, single or pairs of doors
- Minimum holding force 2640 lbs (dependent on installation details)
- Can be used horizontally in frame transom or vertically on door/frame jambs
- Fire rated shear lock (AEMSF300 only)
- Door and lock status monitoring
- CE marked
- Fixing kit available for glass door applications (AMS41SSM only)
- Black/Silver finish



AEM/SHEAR-30
(also available fire rated)



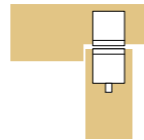
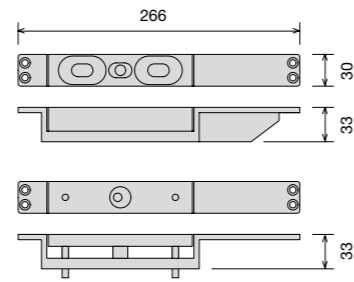
AMS41SFM



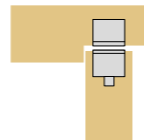
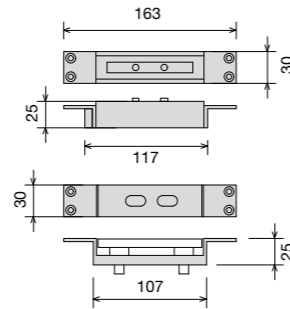
AMS41SSM



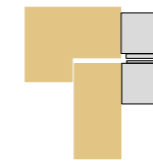
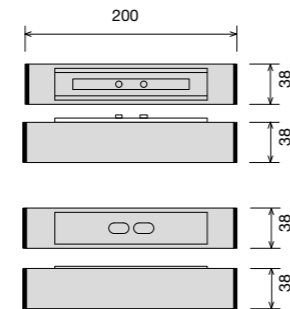
FTSEMS1200M



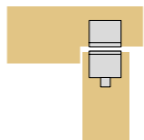
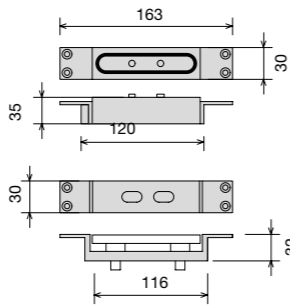
AEM/SHEAR-30
(also available fire rated)



AMS41SFM



AMS41SSM



FTSEMS1200M

Shear Magnets						
Product Ref:	Description	Min. holding force (lbs)	Usage	Voltage	Current A (12/24v)	Typical application
AEMSF300	Fire rated mortice shear magnet	2000	High	12-24v DC	1.8/1.1	Single/dble action doors requiring high security
AEM/SHEAR-30	Mortice shear magnet GS705-30	2000	High	12-24v DC	1.8/1.1	Single/dble action doors requiring high security
AGS705/SUR	Surface housing for AEM/SHEAR-30	n/a	n/a	n/a	n/a	Convert AEM/SHEAR-30 to surface mount
AMS41SFM	Mortice compact shear magnet	2200	High	12-24v DC	1.5	Single/dble action doors requiring high security
AMS41SSM	Surface mounted compact shear magnet	2200	High	12-24v DC	1.5	Single/dble action doors requiring high security
AMS41GF-KIT	Glass door bracket for AMS41SSM	n/a	n/a	n/a	n/a	To fit AMS41SSM to 10-12mm glass doors
AEMGFAD	Adhesive for AGS41GF-BKT	n/a	n/a	n/a	n/a	Adhesive for up to 2 AMS41GF-KIT brackets
FTSEMS1200M	Single - unmonitored - c/w timer	2640	High	12-24v DC	1.2/1.6	Single/dble action doors requiring high security
FTSEMS1200S	Surface compact shear lock	2640	High	12-24v DC	1.2/1.6	Single/dble doors requiring high security

Solenoid Bolts

Solenoid bolts provide a high level of security using a strong steel bolt which provides a secure physical barrier. They are suitable for use with most forms of access control but due to the high level of physical security are more appropriate for higher security access control systems such as Card & PIN or Proximity & PIN.



Deedlock AER134 - High security solenoid bolt with stainless steel faceplate



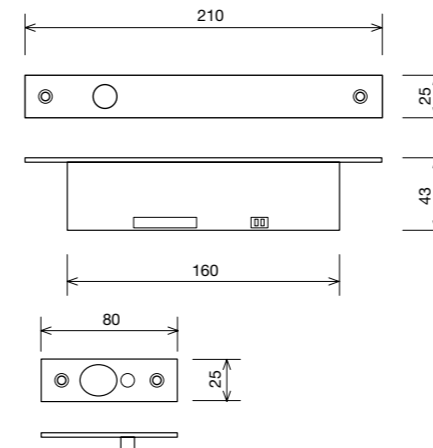
Deedlock AER180 - High security solenoid bolt with stainless steel faceplate

Solenoid bolt features include:

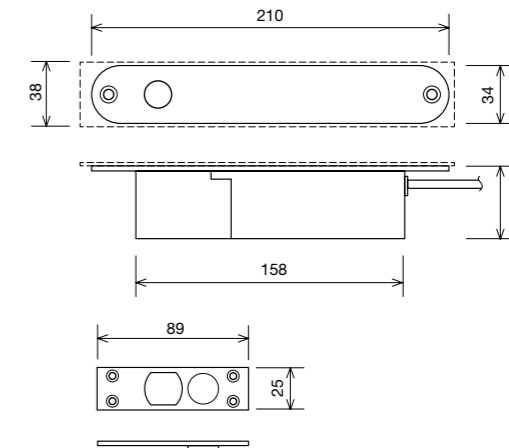
- CE marked
- High security physical barrier with holding forces up to 2000 lbs
- Fully concealed installation suitable for timber or metal doors
- Stainless steel surface housing available for AER134
- Suitable for vertical or horizontal mounting
- Suitable for single or double swing doors
- Dual monitoring of the door position and bolt position
- Variable Auto-relock time
- Satin anodised aluminium or stainless steel finishes

Deedlock Solenoid Bolts & Housings								
Product Ref:	Description	Faceplate width (mm)	Min. holding force (lbs)	Fail locked/unlocked	Auto relock (sec)	Operating Voltage	Kick-in Current	Holding Current
AER134	Mortice solenoid bolt	38	2000	Unlocked	0/2.5/5	12V DC	1A at 12V	300mA
AER180	Smiline mortice solenoid bolt	25	2000	Unlocked	0/3/6/9	12V DC	1A at 12V	300mA
AER134H	Surface housing kit in stainless steel for AER134							
AER195G/F	Surface mounting glass fitting kit for AER134							

AER180



AER134



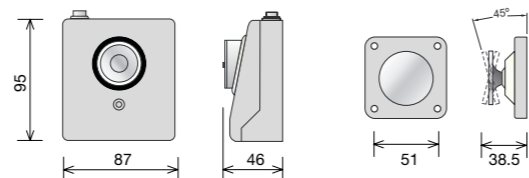


Electromagnetic Door Holders			
Product Ref:	Description	Voltage	Current
AEM0351	Plastic wall mounted	24v DC	50mA
AEM0352	Plastic wall mounted	230v AC	12mA
AEM0362	Metal wall mounted	24v DC	50mA
AEM0363	Metal wall mounted	230v AC	12mA
AEMS003	Floor fixing bracket for wall mounted magnets		

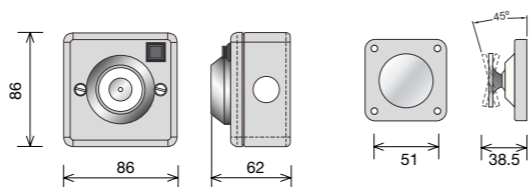
Electromagnetic Hold-Open

The Deedlock electromagnetic hold-open magnets are designed to be used in conjunction with a suitable fire alarm system. They can be used to hold open fire doors in most environments in conjunction with a door closing device such as an overhead closer or floor spring.

- UK manufactured
- Approved to BS EN 1155:1997 + A1.2003
- CE marked by an independent test house
- Integral part of any fire alarm system
- 24v DC or 230v AC supply voltage
- 200N holding force
- Adjustable keeper plate



AEM0351/AEM0352



AEM0362/AEM0363

Acoustic Door Hold-Open

Wire-free door hold-open device with digital technology which learns the sound of the building's fire alarm, allowing the door to be held in the open position until the alarm sounds. The door will close when used in conjunction with a door closer or floor spring.

- Approved to BS EN 1155 and CE marked
- Surface mounted housing and keeper plate
- Learns the sound of the building fire alarm which reduces false triggering
- Battery life indicator and low battery warning
- Can be programmed for timed daily releases



Door Closer with Acoustic Door Hold-Open

Door closer with built in digital technology which learns the sound of the building's fire alarm. The door can be held open until the alarm sounds, triggering the door closer to close the door.

- CE marked in accordance with EN 1154 and EN 1155
- Door closer with EN power size 4 c/w 'Free Swing' function
- Learns the sound of the building fire alarm which reduces false triggering
- Can be programmed for timed daily releases



Acoustic Door Hold-Open Devices

Product Ref:	Description	Battery type	Finish	Sounder type	Battery life
AEM0371	Acoustic door hold-open device	2 x C cell	White	65db (continuous tone)	12 months
AEM0070-SE	Door closer c/w acoustic hold-open device	2 x C cell	Silver/Black	65db (continuous tone)	12 months

The Securefast Electric Lock range offers a choice of functions in a single mortice lock case, allowing for ease of specification, installation and operation.

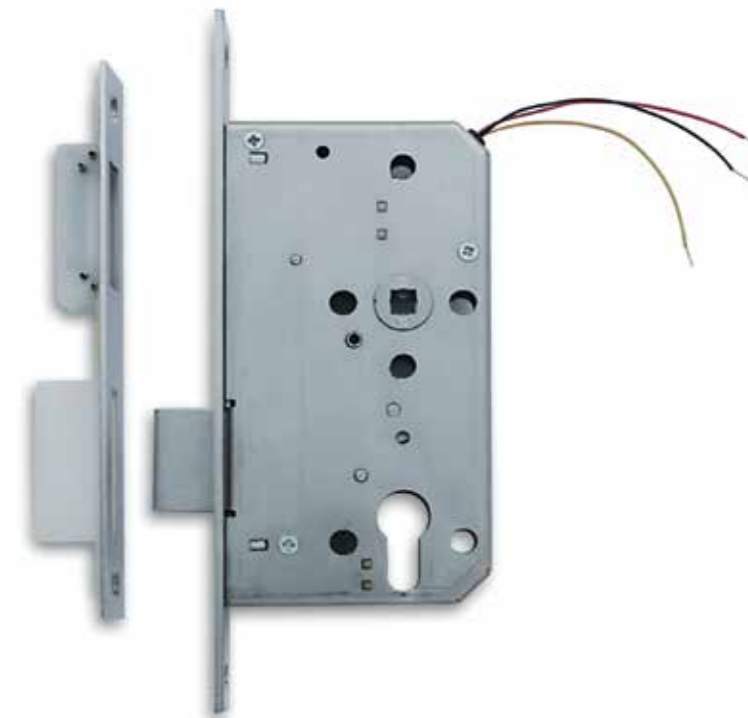
The high quality, British made electric lock range provides the ideal security solution for most entrance doors, corridor doors, high traffic exit doors and access controlled doors.

The locks can be operated with a simple push button release or most access control systems including keypad, card reader, proximity reader or iris recognition system.

The range of locks is supplied with a stainless steel forend and striker with box tidy which houses a magnet, activating the magnetic latch bolt. The magnetic latch ensures that when the door is open there are no protrusions from the door face and avoids the protruding lip on the strike plate. This combination improves the door aesthetics and is ideal for use on timber and steel door frames.

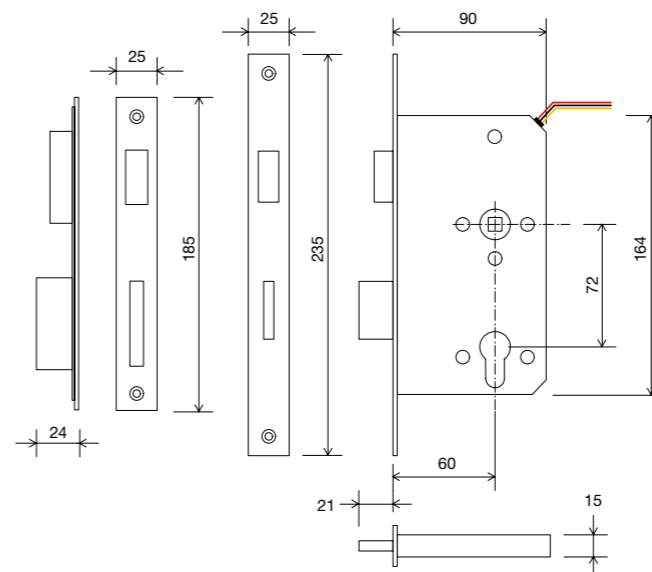
The escape sashlock is supplied with a special split follower and spindle for use with sprung bolt through lever furniture. It provides immediate egress at all times by withdrawing both the latch and deadbolt in one action of the lever from inside.

The sashlock version can be supplied either with the deadbolt thrown automatically when the door is closed into the frame or by throwing and withdrawing the deadbolt via the access control.



All lock versions have the following features:

- Non handed
- 60mm backset and with 72mm centres
- 12v DC 1Amp power requirement (all versions)
- Certification to EN 1634-1 and suitable for use on FD30 and FD60 rated fire doors
- Key override with euro profile cylinder (must be ordered separately)
- Sashlock available with rounded forend and striker



Operating Characteristics

Depending on the lock type the following operations apply:

- Inside handle operation on escape sashlock withdraws latch and deadbolt in a single action
- Escape sashlock deadbolt re-locks automatically after 3 seconds if the lock is actuated but the door is not opened
- Outside handle is blocked when the deadbolt is thrown to maintain engagement of the latch bolt and prevent application of a side load to the deadbolt
- Deadbolt is fully withdrawn before the latch bolt disengages from the striker to ensure that no side load is applied to the deadbolt on escape sashlock and sashlock



Electric Locks				
Product Ref:	Description	Voltage	Centres	Backset
ASEL2460	Electric escape sashlock with automatic deadbolt and key override function	12v DC	72mm	60mm
ASEL2560	Electric sashlock with automatic deadbolt and key override function*	12v DC	72mm	60mm
ASEL2561	Electric sashlock with controlled deadbolt and key override function*	12v DC	72mm	60mm

* Sashlocks available with rounded forend and striker

Electric releases, when used as an integral part of an electronic access control system, provide the physical means of securing the door. They must be used in conjunction with either a rim mounted nightlatch or with a mortice nightlatch. See lock compatibility charts on page 25.

Selecting the Correct Release

Selecting the most appropriate release depends on many different criteria and their relative importance in each application. In general the following aspects should be considered:

Door type - Fitting to wood and metal doors

Release type - Match the release type to lock type ie. rim or mortice

Configuration - For inward or outward opening application

Fail Locked or Fail Unlocked

Security - Higher holding forces offer higher physical security

Usage - Select for low or medium traffic

Operating voltage - For 12v or 24v - AC or DC

Additional features - including monitoring



Rim Release Mortice Release ANSI Mortice Release

Mortice Releases

Designed for use with mortice locks and latches, the mortice electric release is fitted in place of the normal strike plate on timber or metal doors. Generally suitable for inward or outward opening doors.

Where additional security is required versions are available for use with sash locks.

During the selection process, the size and throw of the latch must be checked against the depth of the release.

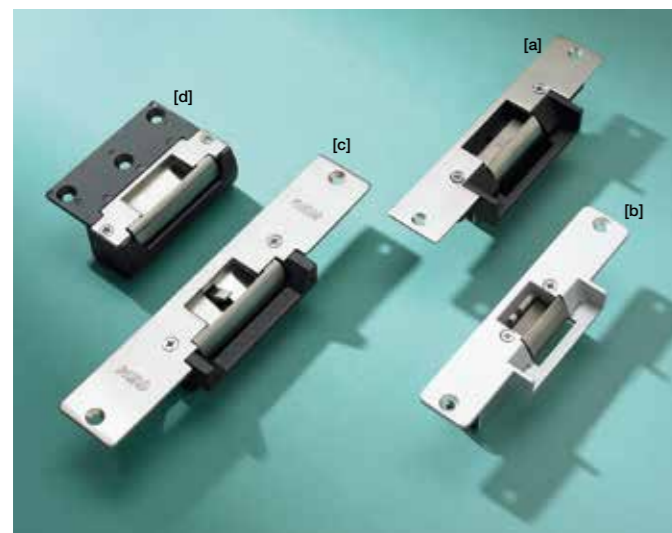
ANSI Mortice Releases

ANSI mortice releases have an additional lip on the opening face which protects the recessed edge of the door frame. It provides a cleaner appearance and smoother operation.

Rim Releases

Rim mounted electric releases are designed specifically for use with conventional rim nightlatches on inward opening doors. They are surface mounted in place of the keep supplied with the nightlatch.

Deedlock ANSI Electric Releases



Deedlock Releases - ANSI Mortice Type

A range of Deedlock ANSI mortice electric releases designed for use with mortice latches. There is also a Rim electric release for use with rim latches. The following features are available:

- Suitable for low to medium traffic applications
- Fail locked and fail unlocked versions
- ANSI Mortice versions suitable for latches up to 15mm throw*
- Jaw strengths up to 1000 lbs
- 12v DC operation
- Monitoring of latch position (AH111M)
- Aluminium or stainless steel finish faceplates

Key to photograph
[a] - AST125-FLT; [b] - AER971; [c] - AH111M; [d] - AH113

Deedlock ANSI Electric Releases						
Product Ref:	Description	Max. latch throw	Voltage	Fail Locked/Unlocked	Jaw Strength	Monitoring
AST125-FLT	ANSI mortice release c/w short & long faceplate - low/med traffic applications	15mm	12v DC	Locked	1000 lbs	-
AST125-FUT	ANSI mortice release c/w short & long faceplate - low/med traffic applications	15mm	12v DC	Unlocked	1000 lbs	-
AER971	American style mortice release for timber doors - low/med traffic applications	13mm	12v DC	Unlocked	1000 lbs	-
AER972	American style mortice release for timber doors - low/med traffic applications	13mm	12v DC	Locked	1000 lbs	-
AH111	ANSI mortice release c/w short and long faceplates - low/med traffic applications	15mm	12v DC	Selectable	1000 lbs	-
AH111M	ANSI mortice release c/w short and long faceplates - low/med traffic applications	15mm	12v DC	Selectable	1000 lbs	Latch
AH113	Rim release for inward opening timber doors - low/med traffic applications	15mm	12v DC	Selectable	1000 lbs	-

Dorcas Releases - Rim

A range of Dorcas rim electric releases which have the following features:

- Suitable for low to medium traffic applications
- Fail locked and fail unlocked versions
- Rim releases suitable for rim nightlatches
- Suits latches with 12mm maximum throw
- Jaw strengths up to 880 lbs
- Operating voltage 12v AC or DC
- Grey powder coated finish
- Range of surface rim cases also available



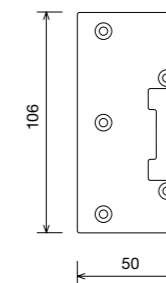
Key to photograph
[a] - ADCN203G; [b] - ADCN203+S/FLEX; [c] - ADCN203+S

Dorcas Rim Releases				
Product Ref:	Description	Jaw strength (lbs)	Fail locked/unlocked	Voltage
ADCN203G	Rim standard release - low traffic applications - Grey	880	Locked	12v AC
ADCN203-412G	Rim standard release - low traffic applications - Grey	880	Locked	12v DC
ADCN203-512G	Rim standard release - low traffic applications - Grey	880	Unlocked	12v DC
ADCN203+S	Rim standard release c/w mortice plate - low traffic applications - Grey	880	Locked	12v AC/DC
ADCN203+S/FLEX	Rim standard c/w mortice plate - adjustable jaw - low traffic - Grey	880	Locked	12v AC/DC
ADCN203-412+S	Rim standard release c/w mortice plate - low traffic applications - Grey	880	Locked	12v DC
ADCN203-412+S/FLEX	Rim standard c/w mortice plate - adjustable jaw - low traffic - SS	880	Locked	12v DC
ADCN203-512+S	Rim standard release c/w mortice plate - low traffic applications - Grey	880	Unlocked	12v DC
ADCN203-512+S/FLEX	Rim standard c/w mortice plate - adjustable jaw - low traffic - Grey	880	Unlocked	12v DC

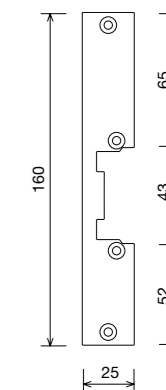
Rim Releases

Rim mounted electric releases are designed specifically for use with conventional rim nightlatches on inward opening doors. They are surface mounted in place of the keep supplied with the nightlatch.

Standard Rim Release - Faceplate



Mortice Faceplate (+S versions)



Dorcas Releases - Mortice

A range of Dorcas mortice electric releases designed for use with mortice nightlatches and which have the following features:

- Suitable for low to medium traffic applications
- Fail locked and fail unlocked versions
- Suits mortice mounted nightlatches with 12mm max. throw
- Versions with adjustable jaw
- Jaw strengths up to 880 lbs
- 12v or 24v versions
- Monitored release options
- Stainless steel faceplates



Key to photograph

[a] - ADCNG; [b] - ADCN305-412G; [c] - ADCN47; [d] - ADCN412GE-LH;
[e] - ADCNG-FLEX; [f] - ADCN512G-FLEX

Dorcas Releases - Mortice for timber frames					
Product Ref:	Description	Jaw strength (lbs)	Fail locked/unlocked	Voltage	Monitoring
ADCAG	Mortice standard release - low traffic - St. Steel faceplate (Remain open type)	880	Locked	12v AC	-
ADCNG	Mortice standard release - low traffic - St. Steel faceplate	880	Locked	12v AC	-
ADCN412G	Mortice standard release - low traffic - St. Steel faceplate	880	Locked	12v DC	-
ADCN512G	Mortice standard release - low traffic - St. Steel faceplate	880	Unlocked	12v DC	-
ADCNG-FLEX	Mortice standard release - low traffic - Adjustable jaw - St. Steel faceplate	880	Locked	12v AC	-
ADCN412G-FLEX	Mortice standard release - low traffic - Adjustable jaw - St. Steel faceplate	880	Locked	12v DC	-
ADCN512G-FLEX	Mortice standard release - low traffic - Adjustable jaw - St. Steel faceplate	880	Unlocked	12v DC	-
ADCN305-412G	Mortice standard release - low traffic - Monitored - St. Steel	880	Locked	12v DC	latch
ADCN305-512G	Mortice standard release - low traffic - Monitored - St. Steel	880	Unlocked	12v DC	latch
ADCN424G	Mortice standard release - low traffic - St. Steel	880	Locked	24v DC	-
ADCN524G	Mortice standard release - low traffic - St. Steel	880	Unlocked	24v DC	-

Dorcas Releases - ANSI mortice for metal frames					
Product Ref:	Description	Jaw strength (lbs)	Fail locked/unlocked	Voltage	Monitoring
ADCN47	Mortice - low/med. traffic - St. Steel faceplate	880	Locked	12v AC	-
ADCN47-412	Mortice - low/med. traffic - St. Steel faceplate	880	Locked	12v DC	-
ADCN47-512	Mortice - low/med. traffic - St. Steel faceplate	880	Locked	12v DC	-

Dorcas Releases - Mortice sashlock for release of latchbolt only					
Product Ref:	Description	Jaw strength (lbs)	Fail locked/unlocked	Voltage	Monitoring
ADCN412GE-LH	Sashlock release - low traffic - St. Steel - DIN left hand	880	Locked	12v DC	-
ADCN412GE-RH	Sashlock release - low traffic - St. Steel - DIN right hand	880	Locked	12v DC	-
AXK21L8	Sashlock release for uPVC- low traffic - St. Steel - DIN left hand	880	Locked	12v AC/DC	-
AXK21R8	Sashlock release for uPVC- low traffic - St. Steel - DIN right hand	880	Locked	12v AC/DC	-

Please note: The mortice sashlock releases will only allow electronic unlocking of the latchbolt. If the deadbolt is in the locked position you will not be able to open the door when released electronically.

Securefast electric releases are compatible with the Securefast lock cases shown in the table opposite.

Releases are listed alphanumerically.

Release Code:	Description	Suitable Lock Cases
ADCAG	Dorcas mortice standard release - St. Steel	A; B; C
ADCN47	Dorcas ANSI mortice release - St. Steel	H; I; J; K
ADCN47-412	Dorcas ANSI mortice release - St. Steel	H; I; J; K
ADCN47-512	Dorcas ANSI mortice release - St. Steel	H; I; J; K
ADCN203G	Dorcas Rim release - Grey	L
ADCN203+S	Dorcas Rim release with mortice plate - Grey	F; L
ADCN203-412G	Dorcas Rim release - Grey	L
ADCN203-412+S	Dorcas Rim release with mortice plate - Grey	F; L
ADCN203+S/FLEX	Dorcas Rim release with adjustable jaw - Grey	F; L
ADCN203-412+S/FLEX	Dorcas Rim release with adjustable jaw - Grey	F; L
ADCN203-512G	Dorcas Rim release - Grey	L
ADCN203-512+S	Dorcas Rim release with mortice plate - Grey	F; L
ADCN203-512+S/FLEX	Dorcas Rim release with adjustable jaw - Grey	F; L
ADCN305-412G	Dorcas mortice release monitored - St. Steel	A; B; C; F
ADCN305-512G	Dorcas mortice release monitored - St. Steel	A; B; C; F
ADCN412G	Dorcas mortice standard release - Brass	A; B; C; F
ADCN412G-FLEX	Dorcas mortice release with adjustable jaw - St. Steel	A; B; C; F
ADCN424G	Dorcas mortice standard release - St. Steel	A; B; C; F
ADCN512G	Dorcas mortice standard release - Brass	A; B; C; F
ADCN512G-FLEX	Dorcas mortice standard release with adjustable jaw - St. Steel	A; B; C; F
ADCN524G	Dorcas mortice standard release - St. Steel	A; B; C; F
ADCNG	Dorcas mortice standard release - Brass	A; B; C; F
ADCNG-FLEX	Dorcas mortice standard release with adjustable jaw - St. Steel	A; B; C; F
AER971	Deedlock American style ANSI release for timber doors	A; D; E; F
AER972	Deedlock American style ANSI release for timber doors	A; D; E; F
AH111	Deedlock ANSI release with short & long faceplates	A; D; E; F; G; H; I; J; K
AH111M	Deedlock ANSI release with short & long faceplates	A; D; E; F; G; H; I; J; K
AH113	Deedlock rim release for inward opening doors	L
AST125-FLT	Deedlock ANSI mortice release with short & long faceplates	A; D; E; F; G; H; I; J; K
AST125-FUT	Deedlock ANSI mortice release with short & long faceplates	A; D; E; F; G; H; I; J; K

A	B	C	D	E	F	G	H	I	J	K	L
SEU511/512/513/514	SEU777	SEU1092	SM1233	SA353	SLA520	SBL310 SBL315 SBL320	A5245101/ 2/3/4	A5245701/ 2/3/4	AAR4710/ 1/2/3/400	AAR4750/ 2/300	Rim nightlatch
Euro profile UK format nightlatch	Euro profile 72mm ccs nightlatch	Euro profile latch	Scandinavian nightlatch	Euro profile Scandinavian nightlatch	Heavy duty tubular latch	Digital lock with tubular latch	Alpro round cylinder nightlatch	Alpro euro profile nightlatch	Adams Rite round cylinder nightlatch	Adams Rite euro profile nightlatch	Rim nightlatch

Deedlock Power Supplies

Deedlock power supply units are switch mode units either 12v or 24v DC voltages and load outputs from 1 to 5 Amps. These cost effective units are ideal for use in access control or general security, intruder alarm or fire applications.

- High efficiency electronics for reduced running costs and lower operating temperatures
- Installer safe design with all high voltage electronics fully shrouded
- Full electronic short circuit and overload protection on load output under mains operation
- Mains transient protection
- "Lid Open" and REAR anti-vandal tamper detection

The power supply units meet the essential requirements of the following European Directives:

- Low Voltage 2006/95/EC
- EMC2004/108/EC
- WEEE 2002/96/EC
- RoHS 2002/95/EC



Boxed Power Supply Units

Product Ref:	Description	Input Voltage	Output Voltage	Max. Load	Box Dimensions width x height x depth	Optional Battery Backup max. size
ADP121A	Boxed power supply 12v - 1A	90 - 260v AC	13.8v DC	1 amp	207 x 247 x 77mm	1 x 12v 7amp hour
ADP122A	Boxed power supply 12v - 2A	90 - 260v AC	13.8v DC	2 amp	207 x 247 x 77mm	1 x 12v 7amp hour
ADP123A	Boxed power supply 12v - 3A	90 - 260v AC	13.8v DC	3 amp	207 x 247 x 77mm	1 x 12v 7amp hour
ADP125A	Boxed power supply 12v - 5A	90 - 260v AC	13.8v DC	5 amp	360 x 330 x 90mm	1 x 12v 7amp hour
ADP241A	Boxed power supply 24v - 1A	90 - 260v AC	27.6v DC	1 amp	360 x 330 x 90mm	2 x 12v 7amp hour
ADP242A	Boxed power supply 24v - 2A	90 - 260v AC	27.6v DC	2 amp	360 x 330 x 90mm	2 x 12v 7amp hour
ADP243A	Boxed power supply 24v - 3A	90 - 260v AC	27.6v DC	3 amp	360 x 330 x 90mm	2 x 12v 7amp hour
ADP245A	Boxed power supply 24v - 5A	90 - 260v AC	27.6v DC	5 amp	360 x 330 x 90mm	2 x 12v 7amp hour
ADP2410A	Boxed power supply 24v - 10A	90 - 240v AC	27.6v DC	10 amp	360 x 330 x 90mm	2 x 12v 7amp hour

Deedlock Relay

Deedlock relay units

Deedlock Relay	
Product Ref:	Description
APB226	Multipurpose relay 12-24v AC or DC Double pole (5A @ 250v AC or 30v DC)
APB227	Fire switching relay 12-24v DC Single pole (5A @ 250v AC or 10A @ 24v DC)
APB228	Door release timer 12v DC - 15 seconds



Exit Buttons & Switches

A large selection of surface mounted or flush mounted activation buttons for use with access control systems.



Key to photograph
[a] - AEB16; [b] - AEB1NR; [c] - AEB8; [d] - AEB28/EXIT;
[e] - AEB2; [f] - AEB30; [g] - AEB6; [h] - AEB288/W

Exit Buttons & Switches	
Product Ref:	Description
AEB1NR	White plastic exit button c/w surface box - "PRESS TO EXIT"
AEB2	Flush stainless steel exit button - "PRESS TO EXIT"
AEB6	Flush stainless steel heavy duty green exit button - "PRESS TO EXIT"
AEB8	Narrow white plastic exit button c/w surface box - "PRESS TO EXIT"
AEB16	St. steel round switch c/w surface box - "EXIT"
AEB28/EXIT	St. steel 3.35" round switch c/w green surf. box - "EXIT" IP55
AEB28/W	St. steel 3.35" round switch c/w white surf. box - "PRESS TO EXIT" IP55
AEB30	Flush st. steel touch sensitive switch - "TOUCH TO EXIT" c/w indicator light
AEB-BOX	Stainless steel surface housing - (for AEB2, AEB6)



Resettable Call Point

Emergency door release resettable call point with clear cover, double pole contacts and LOCK and UNLOCK status display.

Surface mount complete with fixing and reset key in green.

Resettable Call Point	
Product Ref:	Description
ACP320/G	Break glass call point with status indicator

AEB800 Microswitched Push Bar

For use with Electric locking or access control systems.

900mm bar can be cut down on site to 635mm minimum.

SAA finish as standard

Dual switching for lock activation and monitoring

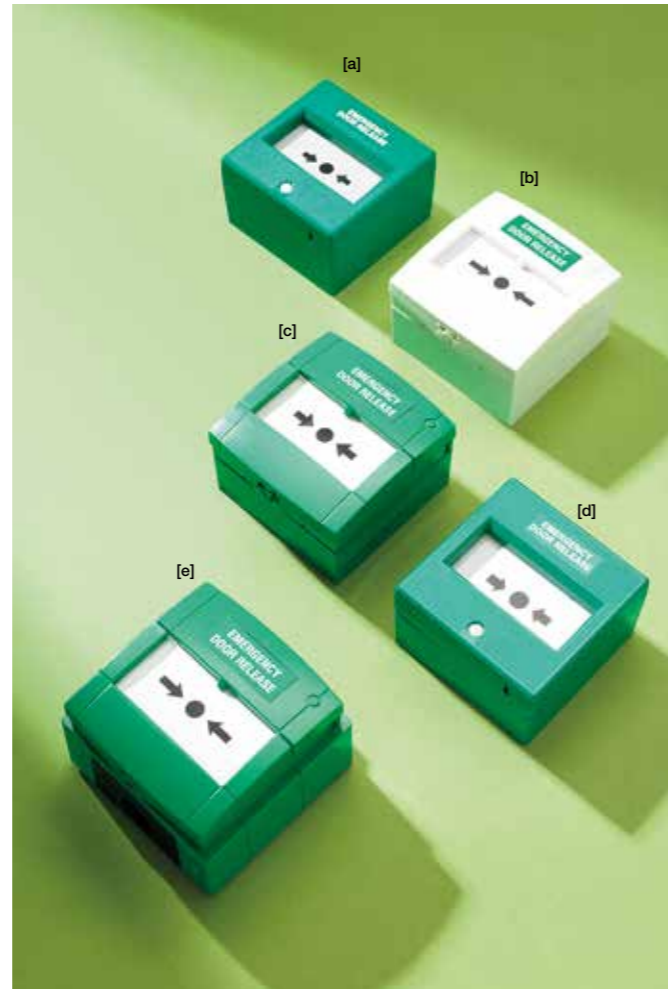


Emergency Exit Push Bar			
Product Ref:	Description	Dimensions (w x h x d)	Electrical Rating
AEB800	Microswitched push bar SAA/Black	915 x 60 x 68mm	Microswitch rating 1A 30v DC

Emergency Door Release Call Points

A range of emergency call points suitable for release of fail unlocked electronic locking devices in the event of fire or emergency situation. Several types are available with either single, double or triple pole microswitches.

Call Points	
Product Ref:	Description
ABGU1-SP	Tate green resettable call point - single pole c/w surface box
ABGU1-DP	Tate green resettable call point - double pole c/w surface box
ABGU3-TP	Tate green resettable break glass point - triple pole c/w surface box
ABGU/COVER	Tate transparent cover for F200 & BGU Series call points
FMX0001	Tate Call point test key (pack of 10) for above call points
AKA-MCP3A-SG	KAC green break glass call point - single pole c/w surface box
AKA-MCP3A-GF	KAC green resettable call point - single pole c/w surf. box
AKA-MCP3A-WSG	KAC white break glass call point - single pole c/w surface box
AKA-MCP4A-SG	KAC green break glass call point - double pole c/w surface box
AKA-MCP4A-GF	KAC green resettable call point - double pole c/w surface box
AKA-MCP4A-WSG	KAC white break glass point - double pole c/w surface box
AKA-WCP3AG-SG	KAC green weatherproof break glass call point - single pole c/w surface box
AKA-WCP4A-SG	KAC green weatherproof break glass call point - double pole c/w surface box
AKA-KG1	KAC replacement glass for KAC break glass call points
AKA-SC070	KAC test key for KAC MCP call points (pack of 10)
AKA-PS200	KAC transparent hinged cover for KAC MCP call points
AKA-PS210	KAC resettable flexible element for KAC MCP call points



Key to photograph
 [a] - ABGU1-SP; [b] - AKA-MCP3A-WSG; [c] - AKA-MCP3A-GF;
 [d] - ABGU1-DP; [e] - AKA-WCP3AG-SG

Combined Exit Buttons & Green Call Point	
Product Ref:	Description
AEB31/BGU/PTE	Combined st. steel green dome button & green resettable call point c/w green surface box
AEB32/BGU/PTE	Combined large st. steel button & green resettable call point c/w green surface box
AEB33/BGU/TFE	Combined st. steel touch free button & green resettable call point c/w green surface box



Door Loops

A series of door loops allowing power transfer across a door/frame.

Door Loops	
Product Ref:	Description
ALP101	Concealed door loop for timber doors & frames - chrome finish 288 x 24 x 17mm
ALP103	Budget surface door loop - silver with white plastic brackets - 30 x 30 x 11mm brackets with 400mm loop length
ALP135	Surface armoured door loop - Silver 48 x 40 x 22mm brackets with 400mm loop length
ALP135/L	Surface armoured door loop - Silver 48 x 40 x 22mm brackets with 560mm loop length



Key Switches

A series of key operated switches offering maintained or momentary switching. Euro profile options will require a single cylinder SEU6402 to be ordered separately.

Key Switches	
Product Ref:	Description
AEBKS	Flush stainless steel. Maintained switch c/w 2 keys (key removeable in both positions)
FATE660-1	Flush stainless steel. Momentary switch c/w 2 keys
FATE668	Flush stainless steel. Euro profile cylinder momentary switch - requires SEU6402 cylinder to be ordered separately
FATE669	Flush stainless steel. Euro profile cylinder maintained switch - requires SEU6402 cylinder to be ordered separately
SEU6402	Single euro profile cylinder for FATE668 & FATE669
AEB BOX	Surface box for AEBKS, FATE660, 668 & 669 switches



Push Switches

A series of push switches and push pads for disability applications.

Push Switches	
Product Ref:	Description
AEB10	Narrow st. steel switch "Push to Open" + wheelchair icon c/w surface mounting box
AEB11	4" Round st. steel all active switch + wheelchair icon c/w surf. box
AEB12	4" Round st. steel all active switch "Push to Open" c/w surf. box
AEB14	4" Round st. steel all active switch "Push to Open" + wheelchair icon c/w surface mounting box
AEB15	Flush st. steel 4.5" rnd. switch "Push to Open" + w.chair icon (IP55)
AEB15BB-S	Stainless steel surface mounting box for AEB15
AEB16	St. steel 3.35" round switch "EXIT" (IP55) c/w green surface box



Pulsar Audio

The Pulsar audio entry system provides a cost effective door entry solution for single or dual occupancy buildings.

The Pulsar is designed with simple good looks, incorporating a slimline back box which eliminates the need for flush fitting.

- Aluminium fascia design prevents water ingress into the speaker
- High visibility large blue backlit call button
- Slimline surface mount
- Attractive stylish Elisse handset provides a modern look
- Available with 1 or 2 call buttons
- Address window
- 5 wire connection

Accessories

Accessories including additional handsets (up to 3 handsets can be fitted to each call button) are shown on page 37/38.

Wiring Diagrams

For typical wiring diagrams please visit our website at:

www.securefast.co.uk



Pulsar Audio Entry	
Product Ref:	Description
F65021N	1 Button entry panel for single entry Kit includes: Entry panel, 1 No. F21809 transformer, 1 No. F22510B handset
F65022N	2 Button entry panel for single entry Kit includes: Entry panel, 1 No. F21809 transformer, 2 No. F22510B handset



Cable Recommendation

Please refer to the table right for the cable sections to suit lengths of run.

We recommend 6 Core Security/Alarm cable (multi stranded)

Cable Sizes	Between Transformer and Entry Panel				Between Handset and Entry Panel			
	8	16	24	40	30	70	200	400
Distance (m)	8	16	24	40	30	70	200	400
Section of wire (mm ²)	0.5	1	1.5	3	0.28	0.5	1	1.5
Diameter of wire (mm)	0.8	1.16	1.38	1.95	0.6	0.8	1.16	1.38

Easy Kit Audio

The Easy Kit provides a comprehensive series of door entry solutions from 1 to 6 button, surface or flush mounted in 5 wire or 2 wire connection options. Each kit comprises a robust anodised aluminium door entry panel, the design of which provides extra security and protects the internal circuitry from the elements.

- Anodised aluminium fascia design prevents water ingress
- Robust construction
- From 1 to 6 call button kits are available
- Surface or flush mounted options
- Attractive stylish Elisse handset provides a modern look
- Address window(s)
- 5 wire or 2 wire connection options



Wiring Diagrams

For typical wiring diagrams please visit our website at:

www.securefast.co.uk

F66265/SB - Kit Contents

The 5 button Easy Kit shown above is supplied with a 5 button entry panel and protective surface mounting backbox, transformer and 5 handsets.

Accessories

Accessories including additional handsets (up to 3 handsets can be fitted to each call button) are shown on page 37/38.

Easy Kit Audio Variants

The Easy Kit **F66561DG/SB** is a special Easy Kit variant.

The single button entry panel incorporates a digital keypad, allowing the unit to be used as a dual function entry system and digital access control, providing entry from outside to code holders.

The digital code features a single, 5 digit entry code and is ideal for commercial premises.

Available as a surface mounted option only.

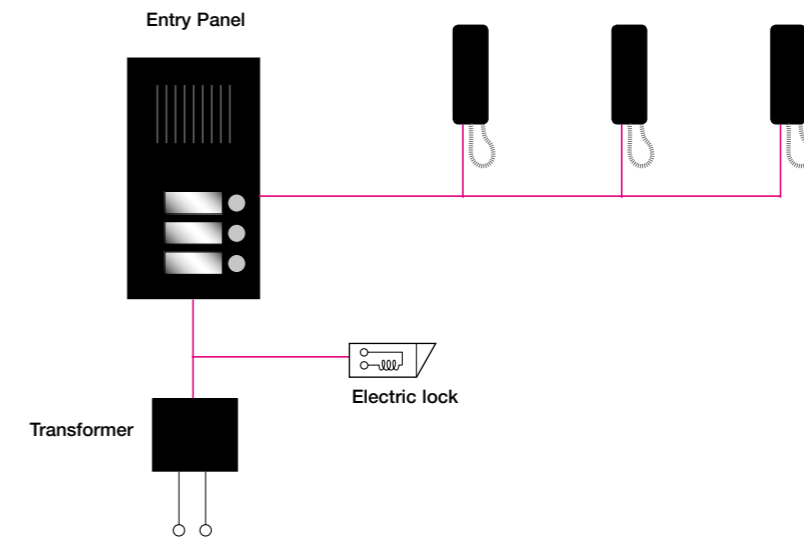


Easy Kit Audio Entry			
2 Wire Systems - Code	5 Wire Systems - Code	Description	Panel dimensions (mm)
F66261B	F66561B	1 Way Flush Mounted kit	110 x 150 x 14 *
F66262B	F66562B	2 Way Flush Mounted kit	110 x 200 x 14 *
F66263B	F66563B	3 Way Flush Mounted kit	110 x 200 x 14 *
F66264B	F66564B	4 Way Flush Mounted kit	110 x 225 x 14 *
F66265B	F66565B	5 Way Flush Mounted kit	110 x 275 x 14 *
F66266B	F66566B	6 Way Flush Mounted kit	110 x 275 x 14 *
F66261/SB	F66561/SB	1 Way Surface Mounted kit	114 x 153 x 55 **
F66262/SB	F66562/SB	2 Way Surface Mounted kit	114 x 203 x 55 **
F66263/SB	F66563/SB	3 Way Surface Mounted kit	114 x 203 x 55 **
F66264/SB	F66564/SB	4 Way Surface Mounted kit	114 x 228 x 55 **
F66265/SB	F66565/SB	5 Way Surface Mounted kit	114 x 278 x 55 **
F66266/SB	F66566/SB	6 Way Surface Mounted kit	114 x 278 x 55 **
F55000/S	-	Special variant single button kit for door bell replacement	

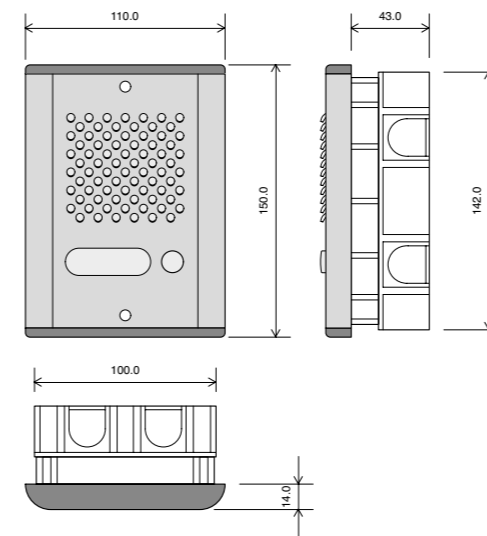
* The depth of the flush mounted kits is the projection from the wall when fitted

** The dimensions of the surface mounted units are those of the surface mounting box

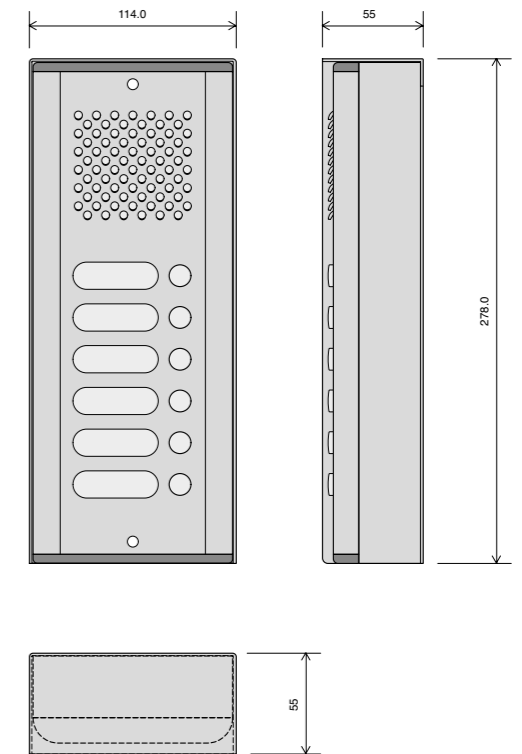
Audio Entry System - Schematic



One Way Easy Kit for flush mounting (2 and 5 wire)



Six Way Easy Kit with Surface mounting box (2 and 5 wire)



Cable Recommendation

Please refer to the table right for the cable sections to suit lengths of run.

We recommend 6 Core Security/Alarm cable (multi stranded)

Cable Sizes	Between Transformer and Entry Panel				Between Handset and Entry Panel			
	8	16	24	40	30	70	200	400
Distance (m)								
Section of wire (mm ²)	0.5	1	1.5	3	0.28	0.5	1	1.5
Diameter of wire (mm)	0.8	1.16	1.38	1.95	0.6	0.8	1.16	1.38

Series 2/5

The Series 2/5 range from Acet presents a robust anodised aluminium entry panel which is semi modular, enabling systems from 1 to 58 way to be constructed.

Systems can be selected from standard kits or by combining individual panels as shown in the tables opposite

- Robust anodised aluminium construction
- Modular construction enables multi unit combinations up to 58 way using 'button only' panels
- Surface or flush mounted options
- Hinged fascia with single secret head fixing screw makes access and wiring easier for the installer
- Attractive stylish Elisse handset provides a modern look
- Address window(s)
- 5 wire (Series 5) or 2 wire (Series 2) connection options



Series 2/5 Kits

We offer a basic range of boxed kits from 1 - 10 ways in either 2 wire (Series 2) or 5 wire (Series 5) which can be flush mounted or, with the addition of an aluminium surround, can be surface mounted.

Additional Functions

Complete systems can be tailored to specific requirements with the addition of *Trade Entry*, *Secrecy of Conversation* or *Multi-Entrance* features



F6203 - Kit Contents

Above, flush fitting, 3 button entry panel with transformer and 3 handsets.

Combination units

F6314

Flush mounted 5 wire system with 14 call buttons made up using a FVA010 'Button Only' panel in tandem with a FVP004 panel with speaker amplifier. The system is supplied with transformer and 14 handsets.

Wiring Diagrams

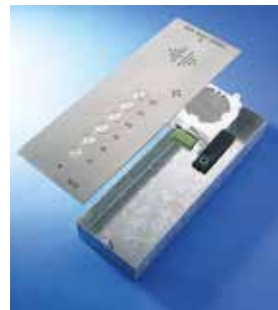
For typical wiring diagrams please visit our website at:

www.securefast.co.uk



Series 2/5 Kits				
2 Wire Systems - Code	5 Wire Systems - Code	Description	Panel dimensions (mm)	Back box reference
F6201	F6101	1 Way Flush Mounted kit	263 x 123	F1P1
F6202	F6102	2 Way Flush Mounted kit		
F6203	F6103	3 Way Flush Mounted kit	309 x 123	F1P2
F6204	F6104	4 Way Flush Mounted kit		
F6205	F6105	5 Way Flush Mounted kit	355 x 123	F1P3
F6206	F6106	6 Way Flush Mounted kit		
F6207	F6107	7 Way Flush Mounted kit	401 x 123	F1P4
F6208	F6108	8 Way Flush Mounted kit		
F6209	F6109	9 Way Flush Mounted kit	447 x 123	F1P5
F6210	F6110	10 Way Flush Mounted kit		

Series 2/5 Individual Panels					
Code	Description	Code	Description	Panel dims (mm)	Back box dims (mm)
FVP001	1 way panel c/w speaker amp	FVA006	6 way panel with buttons only	263 x 123	102 x 242 x 44
FVP002	2 way panel c/w speaker amp	FVA008	8 way panel with buttons only		
FVP003	3 way panel c/w speaker amp	FVA508	8 way panel with buttons only	309 x 123	102 x 288 x 44
FVP004	4 way panel c/w speaker amp	FVA010	10 way panel with buttons only		
FVP005	5 way panel c/w speaker amp	FVA510	10 way panel with buttons only	355 x 123	102 x 334 x 44
FVP006	6 way panel c/w speaker amp	FVA012	12 way panel with buttons only		
FVP007	7 way panel c/w speaker amp	FVA512	12 way panel with buttons only	401 x 123	102 x 380 x 44
FVP008	8 way panel c/w speaker amp	FVA014	14 way panel with buttons only		
FVP009	9 way panel c/w speaker amp	FVA514	14 way panel with buttons only	447 x 123	102 x 426 x 44
FVP010	10 way panel c/w speaker amp	FVA016	16 way panel with buttons only		



Anti-Vandal Entry Panels

The Anti-Vandal range of panels are custom built in stainless steel or brass finish, tailored to each specific requirement, offering both vandal protection and good looks. There is no limit to the number of buttons that can be included on the panels and all can have integrated access control, video or trade facilities added.

The panels have been designed to be fully compatible with Acet door entry speaker amplifiers.

- 2.5mm stainless steel fascia fitted with concealed hexagon socket head screws
- Flush mounted door entry panel as standard to maximise protection but surface boxes also available on request
- 20mm diameter buttons have restricted travel to prevent high impact damage
- Speaker and microphone have protective mesh grill fixed to the back of fascia
- Engraving as required is included free of charge (for standard lettering only)
- Braille and Tactile engraving is also available on request
- Marine Grade and BMA finishes available upon request
- DDA compliant panels are also available to customer requirements with features including LED indicators, Braille characters next to buttons and dual height call buttons

Anti-Vandal Audio Entry	
Product Ref:	Description
F2AVS1	1 Button entry panel (270 x 130mm)
F2AVS2	2 Button entry panel (330 x 130mm)
F2AVS3	2 Button entry panel (330 x 130mm)
F2AVS4	2 Button entry panel (330 x 130mm)
F2AVS5	2 Button entry panel (330 x 130mm)
F2AVS6	2 Button entry panel (330 x 130mm)
F2AVS7	2 Button entry panel (330 x 130mm)
F2AVS8	2 Button entry panel (330 x 130mm)
F2AVS9	2 Button entry panel (330 x 130mm)
F2AVS10	2 Button entry panel (330 x 130mm)
F2AVS11	2 Button entry panel (330 x 130mm)
F2AVS12	2 Button entry panel (330 x 130mm)
F2AVS13	2 Button entry panel (360 x 130mm)
F2AVS14	2 Button entry panel (360 x 130mm)
F2AVS15	2 Button entry panel (360 x 130mm)
F2AVS16	2 Button entry panel (360 x 130mm)
F2AVS17	2 Button entry panel (360 x 130mm)
F2AVS18	2 Button entry panel (360 x 130mm)
F2AVS19	2 Button entry panel (390 x 130mm)
F2AVS20	2 Button entry panel (390 x 130mm)

Accessories

A wide variety of accessories is available to support the Acet product range, suitable for both new and older installed systems.

Please use the chart opposite to determine which accessories are applicable to the entry system being used.



Handsets	
Product Ref:	Description
F22510B	Elisse 5 wire handset, dual tone control (use with F21323 only)
F22500/TB	Elisse 5 wire handset, dual tone control - desk mounted
F22500/B	Elisse 5 wire handset, buzzer call
F22505/B	Elisse 5 wire handset, dual tone call c/w privacy switch and reassurance lamp
F22220B	Elisse 2 wire handset, dual tone and buzzer call
F22205/B	Elisse 2 wire handset, dual tone call c/w privacy switch and reassurance lamp
F22200/TB	Elisse 2 wire handset, dual tone call - desk mounted
F702	2 wire handset, buzzer call - old style 700 replacement
F701/B	5 wire handset, buzzer call - old style 700 replacement



Speaker Amplifiers	
Product Ref:	Description
F21323	5 wire speaker amplifier c/w volume control
F21321/AV	5 wire speaker amplifier c/w volume control for buzzer call systems
F21227	2 wire speaker amplifier c/w volume control, dual tone & buzzer call
F21231/AV	2 wire speaker amplifier c/w volume control for buzzer call systems
F21038	2 wire speaker amplifier c/w volume control, dual tone/buzzer call - multi entrance



Power Supplies	
Product Ref:	Description
F10032	Dual tone generator 230v AC mains input required to drive 3+ parallel handsets
F21809	Door station power supply 12v AC 1.5A output can be surface or DIN rail mounted
F21811	Door station power supply 12v AC c/w battery back-up
FB5/3	12v DC 3.0Ah battery cell for use with F21811

FTC/2

Manual time clock - 7 day/24 hour. 230v AC mains input required.

FTC/3

Manual time clock - 7 day/24 hour. Battery back-up. 230v AC mains input required.

FTC/4

Digital time clock - 7 day/24 hour with BSC/GMT adjustment.

F1044591

Universal timer module 1 sec to 1 hour. 12v AC/DC power input required.

FC21

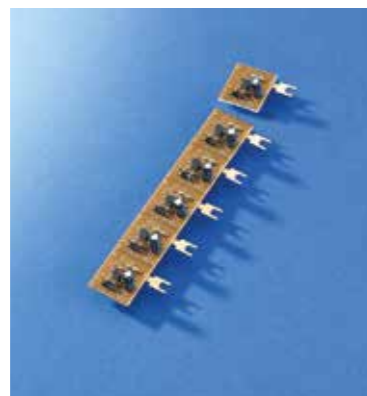
Secrecy of conversation device.

One module required per call button. Supplied as single modules.



F159/12

Multi purpose volt free relay 12v AC/DC designed specifically to operate on Acet door entry systems.



ADCN203+S

Rim mortice 'fail secure' lock release - 12v AC

	F22510B	F22500TB	F22500/B	F22505/B	F22200B	F22200/TB	F22205/B	F701/B	F702	F21038	F21227	F21231/AV	F21321/AV	F21323	FC21	F1044591	FTC/2 & FTC3	ADCN203+S	FTE/MOD	F10032	F159/12	F21809	F21811	FB5/3
F65021N	✓															✓	✓	✓	✓	✓	✓	✓	✓	✓
F65022N	✓															✓	✓	✓	✓	✓	✓	✓	✓	✓
F66261 - F66266 (2 Wire)					✓	✓	✓									✓	✓	✓	✓	✓	✓	✓	✓	✓
F66561 - F66566 (5 Wire)	✓	✓		✓												✓	✓	✓	✓	✓	✓	✓	✓	✓
F66561DG/SB	✓	✓		✓												✓	✓	✓	✓	✓	✓	✓	✓	✓
F55000/S																✓	✓	✓	✓	✓	✓	✓	✓	✓
F6101 - F6110	✓	✓	✓	✓				✓					✓	✓		✓	✓	✓	✓	✓	✓	✓	✓	✓
F6201 - F6210					✓	✓	✓		✓	✓	✓	✓				✓	✓	✓	✓	✓	✓	✓	✓	✓
FVP001 - FVP010											✓	✓	✓	✓	✓				✓					
FVA006 - FVA016																✓			✓					
F2AVS1 - F2AVS20											✓	✓	✓	✓	✓				✓					

Note: Accessories are suitable for flush or surface mounted options

This is a 'quick reference' guide to the most common terms used in electronic locking and access control.

5-Wire - Number of connections made in the handset

2-Wire - Number of connections made in the handset

AC (Alternating Current) - Term which refers to the voltage from a transformer or mains supply.

Amp - Measurement for the flow rate of electrical current for an electrical device (smaller amounts below 1 amp are quoted in milliamps (mA)).

ANSI - American National Standards Institute. Ensures mortice electric release dimensions for faceplate and side lip are the same for every version.

Anti Tamper screw - Screw which has a non-standard head (Hex or Torx drive head).

Armature Plate - Metal plate supplied with an electromagnetic lock and bolted to the door or bracket. Must be flexible when fixed to the door.

Back EMF - Electrical surge which is produced from the coil of an electric release or electromagnetic lock. Can cause an access control system to crash.

Backlit Buttons - Buttons on a keypad have lighting behind them which makes them more visible in dark areas

Battery Backup - Rechargeable battery which fits into a DC Power Supply (PSU) to provide power for a limited period in a power Failure.

Break Glass / Call Point - Means of emergency release for a Fail-Safe locking device. Has a switch inside which is operated when glass panel is broken when pushed.

Current Draw - Amount of electrical current which is required to operate an electronic locking device or system. Usually measured in Amps or Milliamps.



Diode - Small electronic component used to protect an electronic device from Back EMF surges. Allows current to flow in one direction.

DC (Direct Current) - Term which refers to the voltage from a power supply unit (PSU).

DDA - Disability Discrimination Act. Effectively replaced by The Equality Act 2010 to incorporate the rights of all minorities.

Door Loop - Flexible metal tube used to transfer cable securely from the frame of a door to the door leaf of a pair of doors with an electric strike fitted.

Door Station - Refers to the main entrance panel

Double Pole - Term used for switches or break glass call points. Means that the switch has 2 isolated sets of contacts (see also Single Pole).

Dual Voltage - Can be set to work on 2 different voltages (i.e.: 12 or 24)

Exit Button - Electrical spring switch which is used to momentarily control the electrical current to an electric locking device. Can be used with other devices.

Face to Face - Refers to the locking position of the armature plate against the face of an electromagnetic lock when fixing to a door.

Fail Locked / Fail Secure - Means an electric locking device will remain locked in a power failure.

Fail Unlocked / Fail Safe - Means an electric locking device will be unlocked in a power failure.

Fob - Plastic proximity device which works exactly the same as a proximity card but is more robust and can be attached to a key ring or chain.

Hall Effect Monitoring - Relay circuit which indicates correct alignment of the Armature plate on an electromagnetic lock.

Holding Force - Amount of pressure which can be applied to an electric locking device before it will release/unlock. Usually shown in pounds (lbs).

Interlock - Access control feature which allows at least 2 doors to be controlled by preventing 1 door from unlocking while the other door is open.

Jaw Strength - Amount of side pressure which can be applied to an electric strike's jaw before it will release/unlock. Usually shown in pounds (lbs).

Key Switch - Key operated switch used to override an electric locking device.

L Bracket - Bracket used to fix an electromagnetic lock on door frames with a shallow frame depth on outward opening doors.

Magnetic Swipe - A type of card and reader technology similar to Bank or Credit cards. Card has a black magnetic strip which holds the card details.

Maintained - Term used for switches – means the switch will remain in either the On or Off position when operated.

Master Card/Fob - Card or fob which is used to put a card reader into the programming mode.

Master Code - Code number which is used to put a keypad or controller into the programming mode.

Momentary - Term used for switches – means the switch will change from On to Off only while the switch is pressed/turned.

Monitored - Shows the status of an electric locking device by signalling to an access control system or indication panel that the device is locked or unlocked.

Mortice Mount - Refers to an electric lock which is fitted flush into a door frame.

Multi Entrance - Applications where there is more than one entrance panel on the premises

Networked - Group of access controllers which are linked together so that data can be shared between each controller and the PC

PSU (Power Supply) - Unit which is connected to a mains fused spur. Reduces 240v AC to 12v or 24v AC and then converts current to DC.



Proximity Card - Electronic card which is used with proximity readers. The card details are programmed onto a microchip attached to a coil of copper wire which acts as an aerial to pick up the radio signal from the proximity reader.

Proximity Reader - Access control reader which transmits a radio signal that reads the card or fob information when it is held in front of the reader.

Read Range - Distance that a card or fob can be held in front of a proximity reader before it can be recognised.

Relay - Electronic device which is used to switch voltage to an electric locking device. Can also be built into the circuit of an access control device.

Relay Rating - Maximum voltage, current and load in amps that can be switched through the relay contacts.

Relay Time - This is the number of seconds the relay will operate for. Zero seconds will toggle the relay On/Off.

Rim Mount - Refers to an electric release which is fitted to the face of the door frame.

Secrecy - Prevents tenants from listening in on other conversations on an audio/video entry system

Self Contained - Term used for access control keypad or card reader which means the unit has all the electronic controls built-in.

Single Pole - Term used for switches or break glass call points. The switch has a single set of isolated contacts (see Double Pole).

Solenoid - Electronic device which is fitted inside an electric release or bolt which controls the movement of the locking mechanism.

Speaker Amplifier - Module fitted to the external main panel which generates mainly the audio circuits allowing speech between panel and handset.

Stand Alone - Terms used for access control which means the unit works independently from other units in a building.

Tradesman modification - Adapted push button on the main entrance panel to allow services such as milkman, postman etc to access the premises normally controlled via a time clock

Transformer - Unit which is connected to a mains fused spur. Reduces 240v AC current to 12v or 24v AC.

Test Key - Plastic key used to test the operation of a break glass or call point.

User Code - Code number which a person enters into a keypad to gain entry.

Voltage - Measurement of the energy available to drive the flow of electrical current.

Volt-Free Relay - Relay has not output voltage as standard (this requires the installer to fit a link wire from either Positive or Negative of power input).

Z&L Bracket - Set of 3 brackets used to fix an electromagnetic lock to the door & frame on an inward opening door.

Other Securefast Products



Digital Locks



Access Control



Automatic Door Operators



Fire Alarm



Panic Exit Hardware



Lockcases

Securefast

Head Office

Unit 6, The Cedars Business Centre, Cannock, Staffordshire, WS11 1QJ

Tel: +44 (0) 1543 501600 Fax: +44 (0) 1543 501601

Email: sales@securefast.co.uk www.securefast.co.uk

UK Sales Office

Queen Anne House, 18 Eastbank Street, Southport, Merseyside, PR8 1DT

Tel: +44 (0) 1704 502801 Fax: +44 (0) 1704 502810

Email: sales@tatecolson.co.uk

Middle East Sales Office

Tel: +971 52 244 6207

Email: sales@securefast.ae www.securefast.ae

Technical Helplines

Mechanical Products: Tel: +44 (0) 1543 501611

Electronic and Fire Products: Tel: +44 (0) 1704 502815

Securefast IET: Tel: +44 (0) 1442 878777

Or by email: techsupport@securefast.co.uk