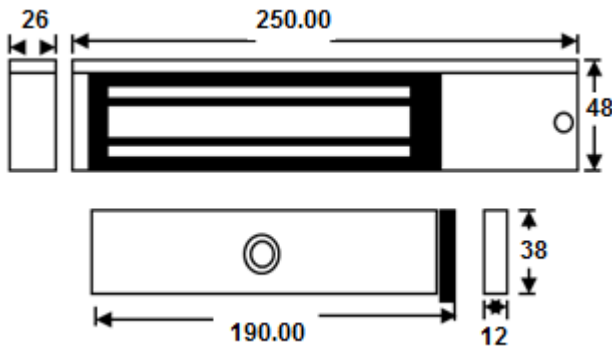


## STP-EM01DS

### Single slim maglock, unmonitored with door status monitoring

Slim single unmonitored magnetic lock. Compact design, making it ideal for most indoor applications where 275kg holding force is sufficient. This model includes door status monitoring contacts to monitor the door position (open or closed)



### Features

- MOV provides spike and surge protection
- Fail-safe operation (power to lock)
- Anti-residual magnetism protection
- Top-plate, armature-plate and fixings included
- Slim design
- Dual voltage 12Vdc or 24Vdc (selectable)
- Surface mount
- Silver anodised aluminium finish
- Door status monitoring

### Technical Information

- Holding force: up to 275kg (600lb)
- Current draw = 500mA @ 12Vdc / 250mA @ 24Vdc
- Voltage tolerance: +/- 15%
- Operating temp: -10°C to +55°C
- Humidity: 0-95% non-condensating
- Weight: 2kg approx.
- Reed switch door contact

### Related Products

STP-EM300ABP



STP-EM04DS



STP-EM10DS



STP-EM300BZL

