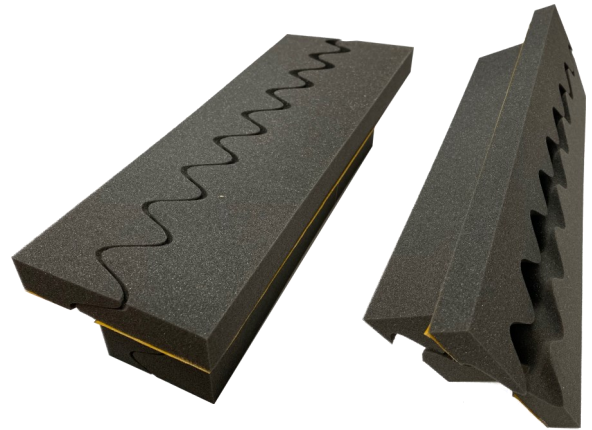


## Cable entry foam block

There are six available cable entry ports on the EDGE-3 cabinet, three at the top and three at the bottom. The standard model comes complete with one foam block so further cable entry systems can be deployed as required .

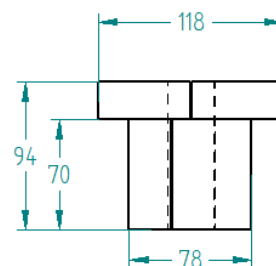
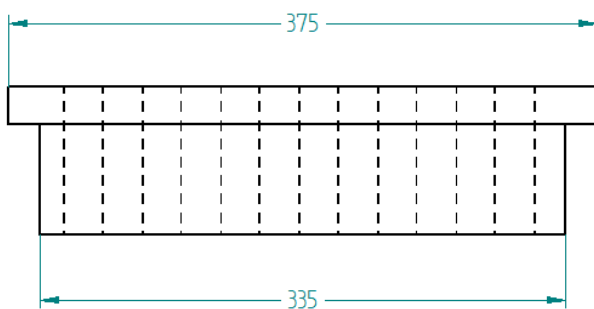
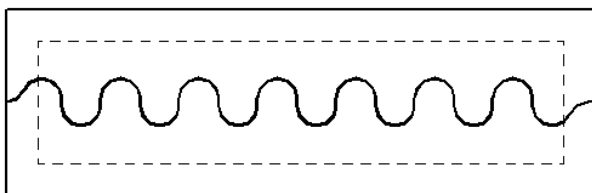
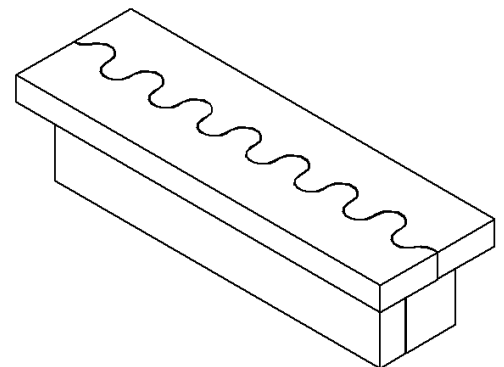


## Technical Data

Part number	Description	Dimensions
E3X-CE-AA	Packaged EDGE-3 55 SV Foam Cable Entry Block (Single)	300mm x 180mm x 120mm

Physical properties	Testing specification	Unit	Minimum	Nominal value	Maximum
Density net	DIN EN ISO 845	Kg/m <sup>3</sup>	54.0	-	60.0
CLD (40%)	DIN EN ISO 3386-1	kPa	5.00	-	7.0
Tensile strength (v)	DIN EN ISO 1798	kPa	180.0	-	-
Elongation at break (v)	DIN EN ISO 1798	%	180.0	-	-
Cell count	REGI RPA-1002	Z/cm	20.0	-	26.0
Flammability properties	UL 94	Min. HF 1	-	-	-

Polyurethane foam (polyester based) with regular fine cell structure.  
 Flame resistance accord. to UL 94 HF1.  
 Besides its flame resistance acc. to UL 94 HF1  
 55 SV UL 94 provides excellent sound absorption properties.



We engineer for a sustainable tomorrow.