

Top cover fan tray

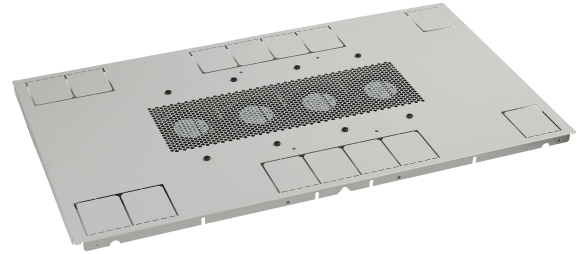
USpace 4210 zero U space top cover fan trays are available in 2 and 4 way 240v axial fans as standard - 1 and 3 way as non standard.

Used to keep active equipment cool by directing hot air away from the cabinet.

Low noise, 48V, 110V and thermostatically controlled models

Compatible with

USpace 4210, 7210, 7250 cabinet ranges (1 & 2 way fan only)



4 way top cover fan tray

Technical data

Top cover fan tray

Part number	No fans	Dimensions	Product Weight	Suit standard cabinet
RA0-0003-AA	2	19"	2.0kg	All
RA0-0005-AA	4	19"	3.0kg	All

Fixings

- 4 x pan head M6x16 bolts
- 4 x M6 cage nuts
- 4 x M6 black finishing washers

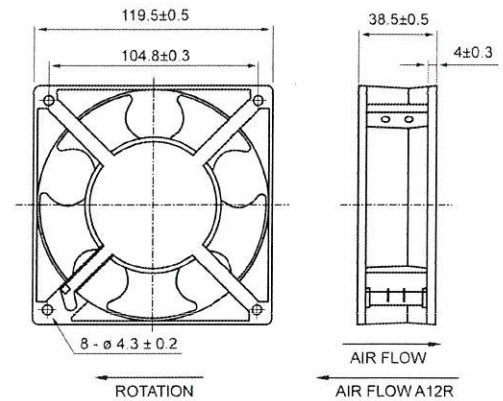
Materials and finish

- 1.2mm CR4 steel main body
- 240v high speed axial fans
- 4 way daisy chain + BS1363 13amp plug

Textured powder coat light grey RAL 7035

(Other colour options are available on request)

Fan specification



- Casing material:** Die-casting aluminium painted black
- Impeller material:** Black thermoplastic UL94V-0
- Protection degree:** IP20 according to EN60529 standard
- Fixing system:** 4 x rubber rivets
- Motor protection:** Impedence
- Storage temperature:** From -40°C to +70°C
- Rated temperature range:** From -10°C to +60°C
- Lifetime L10 at 40°C:** 30.000h
- Electrical connection:** Bronze flat terminals (3 x 0.5mm)
- Approvals:** UL E112195;VDE 40009963
- Weight:** 0.550kg

Bearing	Voltage	Frequency	Rated current	Rated power	Max air flow	Static pressure	Noise	RPM	Approvals
	(V)	(Hz)	(A)	(W)	(M ³ /h)	(Pa)	[Db (A)]	(rpm)	
Ball	230 V a.c.	5/6	0.130/0.110	20/19	87/107	13/16	46.0/49.0	2.750/3.050	CE, cURus, VDE



Statement of conformity

